

1.00

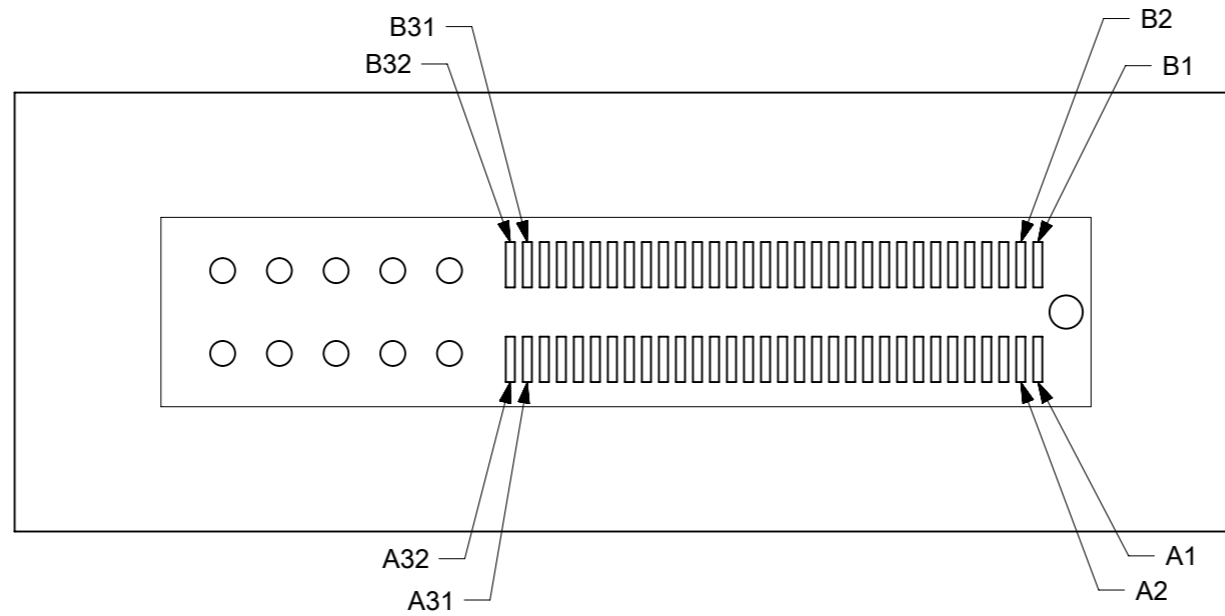
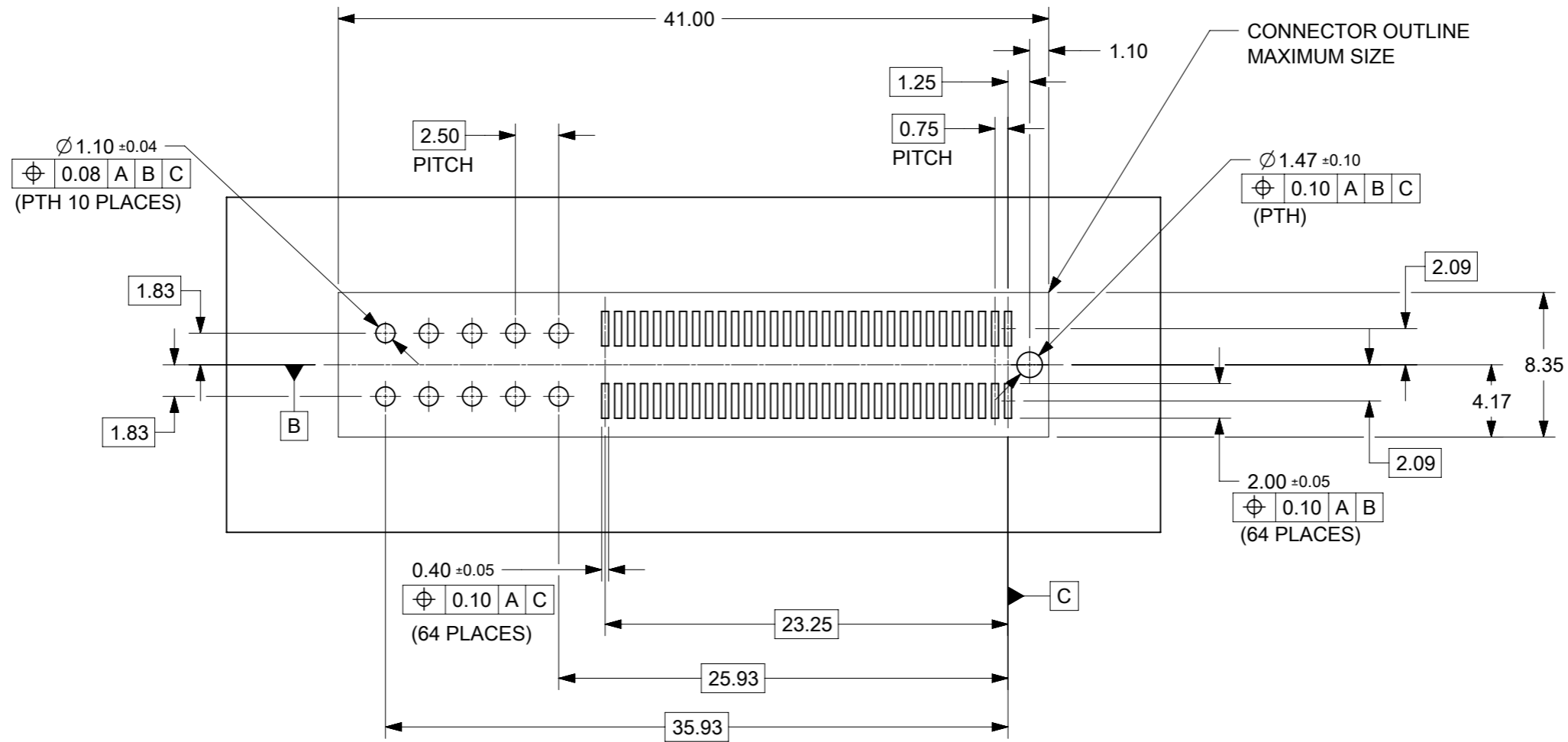
PICK AND PLACE CAP POSITION

PART NUMBER	DIM A	DIM B	DIM C	DIM D	PACKAGING SPECIFICATION
1720502064	19.8	4.0	4.85	3.65	1720522000 (TAPE & REEL)
1720503064	19.8	4.0	4.85	3.65	PK-172052-1000 (TUBE)

NOTES:

- MATERIAL:
HOUSING - GLASS FILLED THERMOPLASTIC, 94-VO, BLACK
TERMINALS - HIGH PERFORMANCE COPPER ALLOY
- FINISH:
CONTACT AREA: SELECT GOLD 0.76µm MIN
SOLDER TAIL: 2.54µm MIN TIN (MATTE)
UNDERPLATE: 1.27µm MIN NICKEL ALL OVER
- PRODUCT SPECIFICATION: PS-172050-0001.
- PACKAGING SPECIFICATION: SEE TABLE.
- APPLICATION SPECIFICATION: AS-172050-0001.
- MATING PC BOARD THICKNESS = 1.60±0.16MM OVER CONTACT PADS.
- PRODUCT IS ELV AND RoHS COMPLIANT. LEVEL OF COMPLIANCE: 6/6
ALL BANNED SUBSTANCES ARE REMOVED:
Pb (LEAD)
HEXAVALENT CHROMIUM (CrVI)
CADMIUM
MERCURY
POLYBRMINATED BIPHENYL (PBB)
POLYBROMINATED DIPHENYL ETHER (PBDE)
- THIS PART CONFORMS TO CLASS B REQUIREMENTS OF COSMETIC SPEC PS-45499-002.

THIS DRAWING CONTAINS INFORMATION THAT IS PROPRIETARY TO MOLEX ELECTRONIC TECHNOLOGIES, LLC AND SHOULD NOT BE USED WITHOUT WRITTEN PERMISSION		CURRENT REV DESC: OBSOLETE PART NUMBER		molex	
DIMENSION UNITS	SCALE				
mm	NTS			EDGELINE+ ESP 40A 64CKTS .062"PCB 0.75MM PITCH SALES DRAWING	
GENERAL TOLERANCES (UNLESS SPECIFIED)				PRODUCT CUSTOMER DRAWING	
ANGULAR TOL	± 0.5°			DOCUMENT NUMBER	
4 PLACES	±	EC NO: 655721	2021/01/19	SD-172050-1064	
3 PLACES	±	DRWN: RPRABHUM	2021/03/15	DOC TYPE	DOC PART
2 PLACES	± 0.15	CHK'D: GGA	2021/03/15	PSD	001
1 PLACE	± 0.25	APPR: GGA	2021/03/15	REVISION	
0 PLACES	±	INITIAL REVISION:		C4	
DRAFT WHERE APPLICABLE MUST REMAIN WITHIN DIMENSIONS		DRWN: DROSCA	2013/04/16		
THIRD ANGLE PROJECTION		APPR: JCOMERCI	2013/05/15		
DRAWING		SERIES	MATERIAL NUMBER	CUSTOMER	
A3-SIZE		172050	SEE TABLE	GENERAL MARKET	
SHEET NUMBER		1 OF 3			



$\varnothing 1.10 \pm 0.04$
 $\varnothing 0.08$ A B C
 (PTH 10 PLACES)

CONNECTOR OUTLINE
MAXIMUM SIZE

$\varnothing 1.47 \pm 0.10$
 $\varnothing 0.10$ A B C
 (PTH)

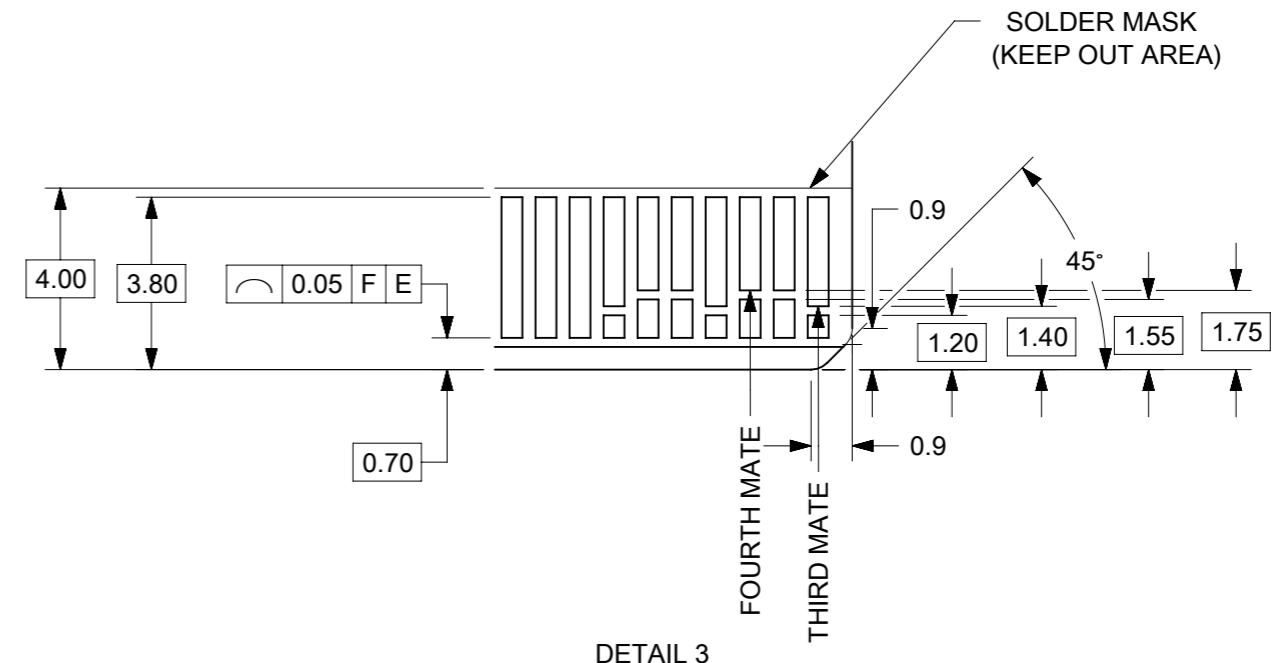
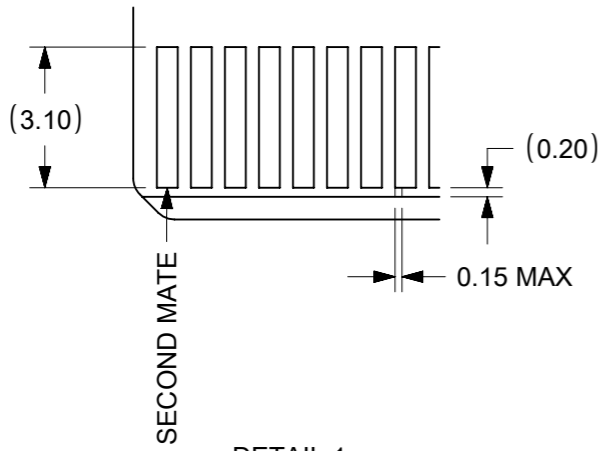
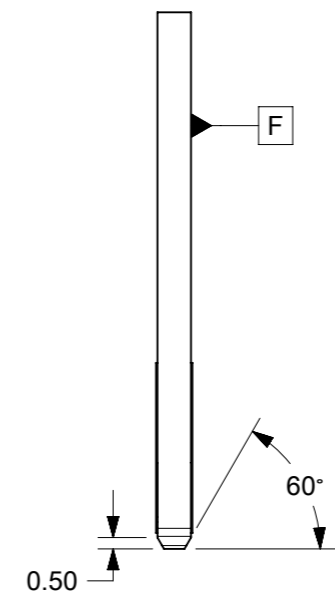
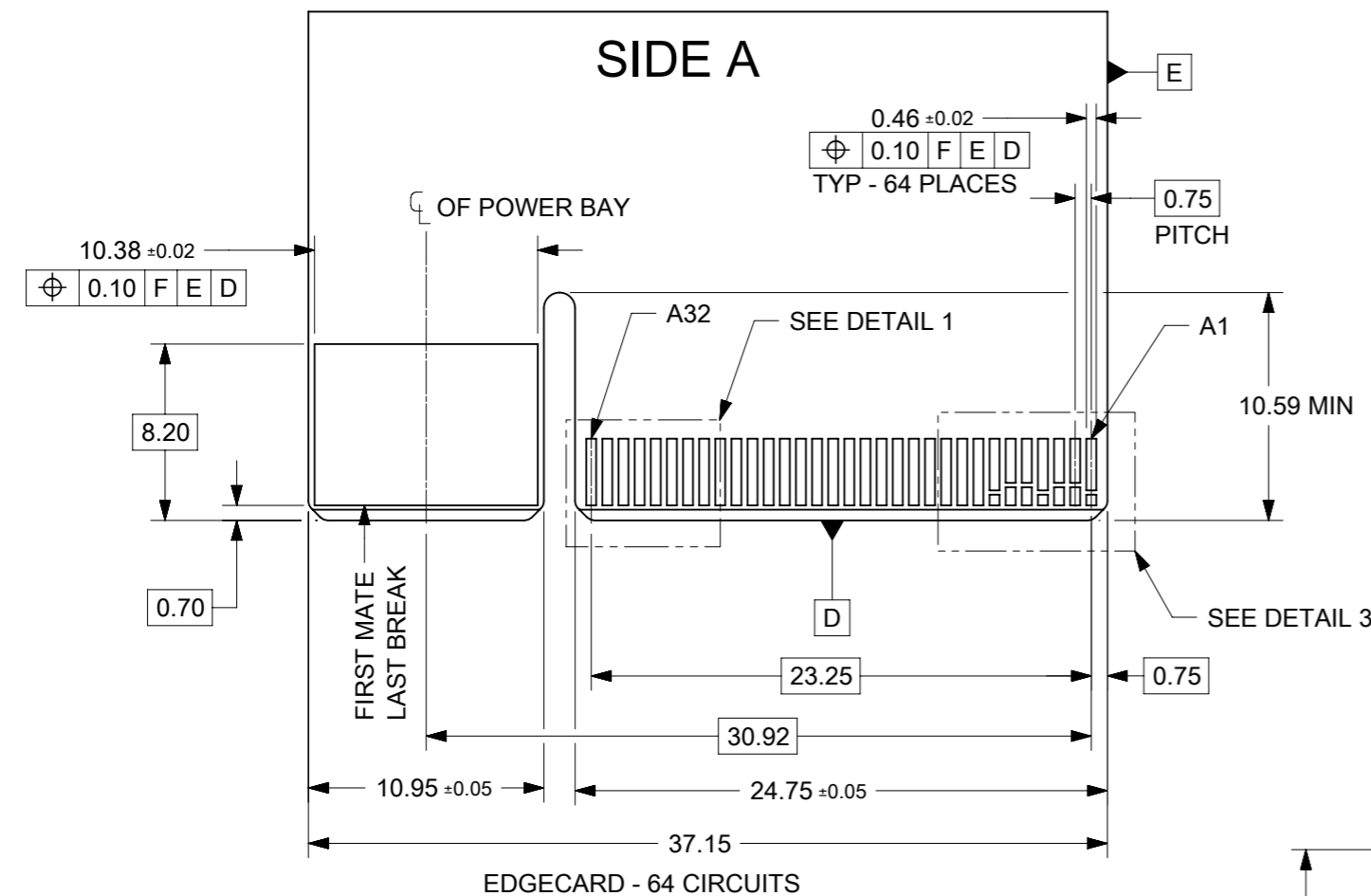
2.00 ± 0.05
 $\varnothing 0.10$ A B
 (64 PLACES)

0.40 ± 0.05
 $\varnothing 0.10$ A C
 (64 PLACES)

FOOT PRINT NOTES:
 1. DATUM -A- IS THE TOP OF THE PCB.

THIS DRAWING CONTAINS INFORMATION THAT IS PROPRIETARY TO MOLEX ELECTRONIC TECHNOLOGIES, LLC AND SHOULD NOT BE USED WITHOUT WRITTEN PERMISSION											
DIMENSION UNITS		SCALE		CURRENT REV DESC: OBSOLETE PART NUMBER							
mm		NTS									
GENERAL TOLERANCES (UNLESS SPECIFIED)											
ANGULAR TOL ± 0.5°											
4 PLACES		±		EC NO: 655721		2021/01/19		SD-172050-1064		DOC TYPE	
3 PLACES		±		DRWN: RPRABHUM		2021/03/15				DOC PART	
2 PLACES		± 0.15		CHK'D: GGA		2021/03/15				REVISION	
1 PLACE		± 0.25		APPR: GGA		2021/03/15		INITIAL REVISION:		MATERIAL NUMBER	
0 PLACES		±		DRWN: DROSCA		2013/04/16		APPR: JCOMERCI		CUSTOMER	
DRAFT WHERE APPLICABLE MUST REMAIN WITHIN DIMENSIONS		THIRD ANGLE PROJECTION		DRAWING		SERIES		MATERIAL NUMBER		SHEET NUMBER	
				A3-SIZE		172050		SEE TABLE		2 OF 3	

DOCUMENT STATUS	P1	RELEASE DATE	2021/03/15	11:28:43
-----------------	----	--------------	------------	----------



NOTES:
 1. THESE ARE GENERIC DETAILS THAT DESCRIBES THE CONFIGURATION OF VARIOUS PCB DESIGN ELEMENTS. THE CUSTOMER MUST DETERMINE WHERE AND WHEN TO USE EACH ELEMENT TO ACCOMMODATE THEIR SPECIFIC APPLICATION.
 2. CHAMFER ROUGHNESS NOT TO EXCEED 3.17µm.
 3. EDGE CARD CHAMFER NOT TO GO THROUGH GOLD PAD.

THIS DRAWING CONTAINS INFORMATION THAT IS PROPRIETARY TO MOLEX ELECTRONIC TECHNOLOGIES, LLC AND SHOULD NOT BE USED WITHOUT WRITTEN PERMISSION		CURRENT REV DESC: OBSOLETE PART NUMBER		molex	
DIMENSION UNITS	SCALE				
mm	NTS			EDGELINE+ ESP 40A 64CKTS .062"PCB 0.75MM PITCH SALES DRAWING	
GENERAL TOLERANCES (UNLESS SPECIFIED)				PRODUCT CUSTOMER DRAWING	
ANGULAR TOL	± 0.5 °	EC NO: 655721	2021/01/19	DOCUMENT NUMBER	DOC TYPE DOC PART REVISION
4 PLACES	±	DRWN: RPRABHUM	2021/03/15	SD-172050-1064	PSD 001 C4
3 PLACES	±	CHK'D: GGA	2021/03/15		
2 PLACES	± 0.15	APPR: GGA	2021/03/15		
1 PLACE	± 0.25	INITIAL REVISION:			
0 PLACES	±	DRWN: DROSCA	2013/04/16		
		APPR: JCOMERCI	2013/05/15		
DRAFT WHERE APPLICABLE MUST REMAIN WITHIN DIMENSIONS		THIRD ANGLE PROJECTION	DRAWING	SERIES	MATERIAL NUMBER
			A3-SIZE	172050	CUSTOMER
				GENERAL MARKET	SHEET NUMBER
				3 OF 3	