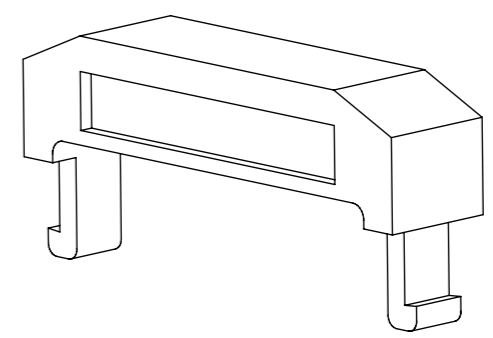
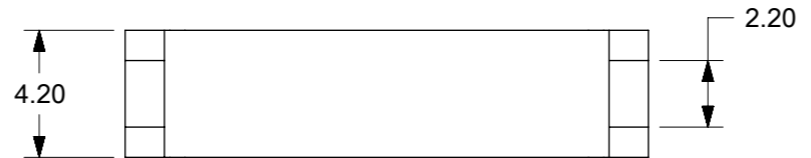
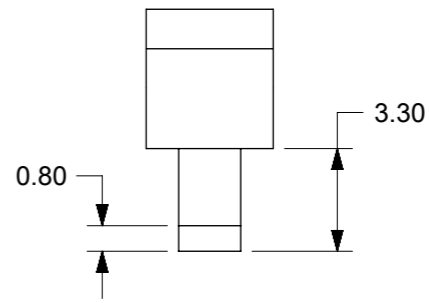
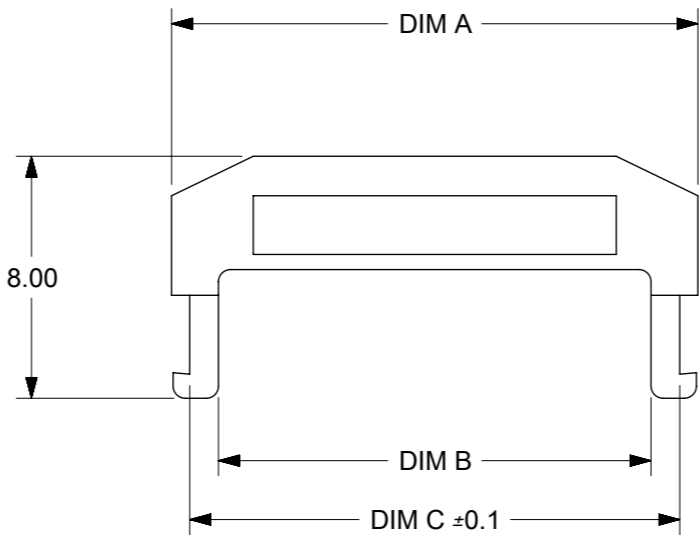


ENGINEERING NUMBER	CKT SIZE	A	B	C
87569-1010	10	15.40	12.20	14.25
87569-1012	12	17.40	14.20	16.25
87569-1014	14	19.40	16.20	18.25
87569-1016	16	21.40	18.20	20.25
87569-1020	20	25.40	22.20	24.25
87569-1022	22	27.40	24.20	26.25
87569-1024	24	29.40	26.20	28.25
87569-1026	26	31.40	28.20	30.25
87569-1030	30	35.40	32.20	34.25
87569-1032	32	37.40	34.20	36.25
87569-1034	34	39.40	36.20	38.25
87569-1040	40	45.40	42.20	44.25
87569-1044	44	49.40	46.20	48.25
87569-1050	50	55.40	52.20	54.25



87569 - 1 0 * *
 CKT SIZE

NOTES:
 1. MATERIAL: THERMOPLASTIC, UL94V-0 BLACK
 2. FOR ILLUSTRATION PURPOSES A 12 CIRCUIT SIZE PART IS SHOWN.
 3. FOR ALL OTHER CIRCUIT SIZES CONTACT FACTORY.

QUALITY SYMBOLS 	THIS DRAWING CONTAINS INFORMATION THAT IS PROPRIETARY TO MOLEX ELECTRONIC TECHNOLOGIES, LLC AND SHOULD NOT BE USED WITHOUT WRITTEN PERMISSION												
	MIGRATED TO ECTR EC NO: 170269 DRWN: VNANDAM CHK'D: CD REV APPR: GGA	2017/12/12		2018/02/12		2018/02/13		GENERAL TOLERANCES (UNLESS SPECIFIED)		DIMENSION UNITS		SCALE	
								MM INCH		MM		NTS	
		4 PLACES ±		±				DRWN BY		MSAKTHI		DATE	
		3 PLACES ±		±				CHK'D BY		JSGOH		DATE	
2 PLACES ±		0.2		±		APPR BY		MLONG		DATE			
1 PLACES ±		±				DRAWING SIZE		A3		THIRD ANGLE PROJECTION			
0 PLACES ±		±				ANGULAR TOL = 3.0							
DRAFT WHERE APPLICABLE MUST REMAIN WITHIN DIMENSIONS													
A4													

molex		
MGRID, 2MM DUAL ROW IDT		
PRODUCT CUSTOMER DRAWING		
SERIES	MATERIAL NUMBER	CUSTOMER
87569	SEE TABLE	GENERAL MARKET
DOCUMENT NUMBER	DOC TYPE	DOC PART
SD-87569-008	PSD	001
SHEET NUMBER	1 OF 1	