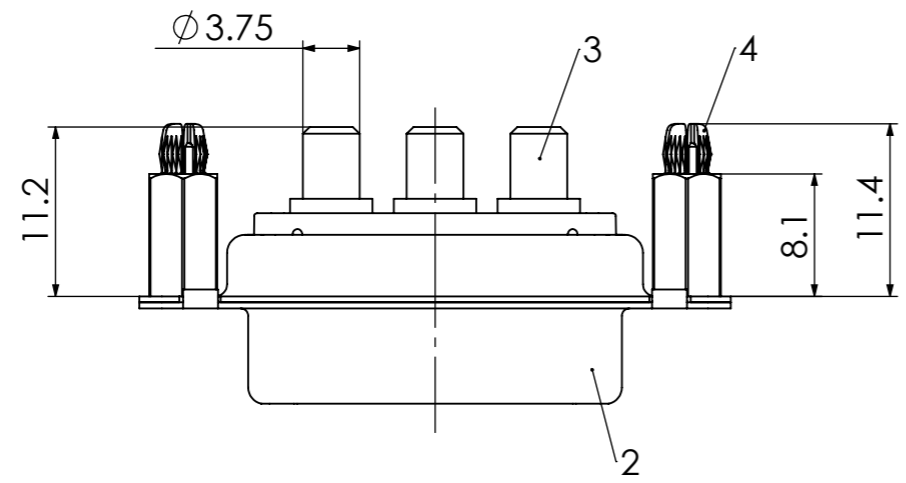
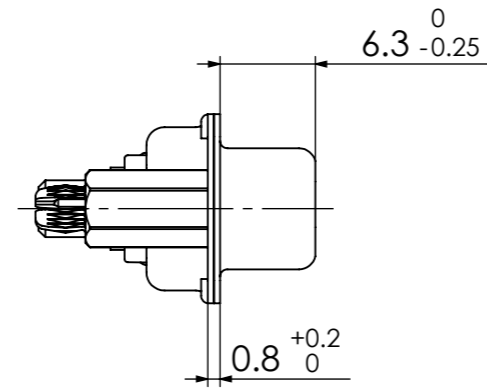
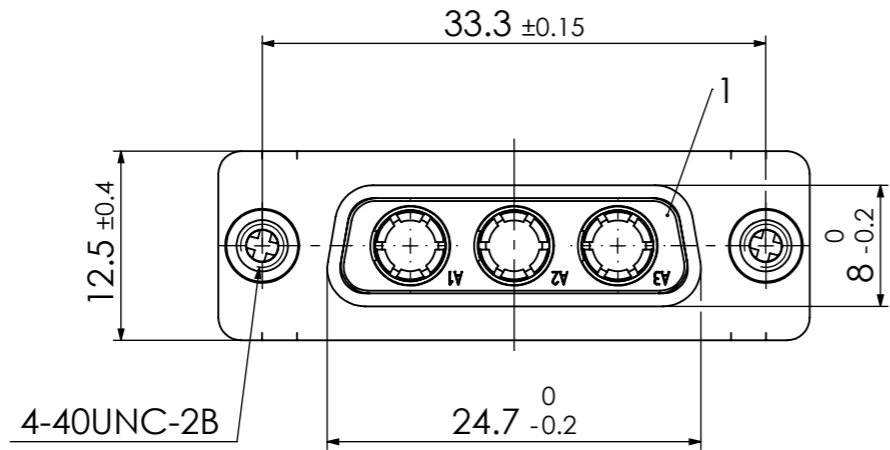
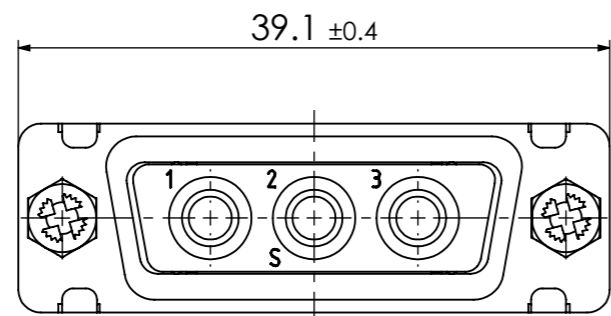
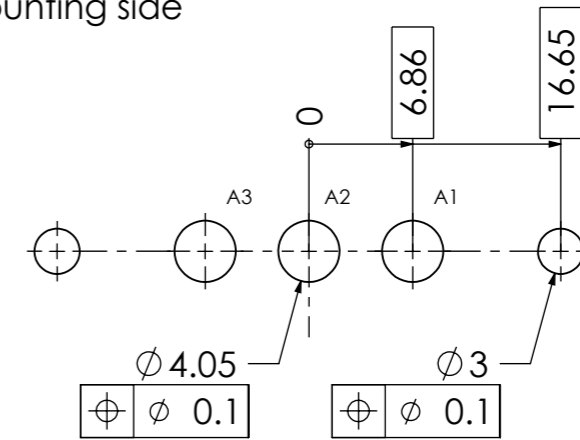


RoHS compliant  
by exemption



PCB hole pattern, mounting side



4	2	Snap-in bolt	PCB 1.6mm / Brass	tin plated
3	3	High power contact	FMP016S105	40A
2	1	Shell	Steel	tin plated
1	1	Insulator	PCT (-55°C to +150°C)	natural
No.	St.	Part	Type Description/Material	Surface plating/Colour/Class

FUNCTIONAL SYMBOLS ▽ = 0 ▽ = 0 ▽ = 0					THIS DRAWING CONTAINS INFORMATION THAT IS PROPRIETARY TO MOLEX ELECTRONIC TECHNOLOGIES, LLC AND SHOULD NOT BE USED WITHOUT WRITTEN PERMISSION					
DIMENSION UNITS		SCALE		MEASUREMENTS WITHOUT TOLERANCE ACC. TO						
mm		2:1		ISO 2768-m						
CURRENT REVISION					PRODUCT CUSTOMER DRAWING					
3		24410		DRWN: DRAWN BY msteinbrueck 27-09-2023			FCT D-Sub Mixed-Layout Connector			
2		24320		APPR: APPR BY mteubel 29-11-2023			MATERIAL NUMBER			
INITIAL REVISION					1731071447					
1				DRWN: DRAWN BY MTeubel 24-01-2019			REVISION			
REV.		CH.-NO.		APPR: APPR BY gkrimschndl 25-01-2019			3			
REPLACEMENT FOR:			FIRST ANGLE PROJECTION		DRAWING		DOCUMENT NUMBER		CUSTOMER	SHEET NUMBER
1731071447_Rev. A1					A3-SIZE		FH3W3S-6131		GENERAL MARKET	1 OF 1

COMMENT: ALL RIGHTS ARE RESERVED BY US FOR THIS DRAWING. WITHOUT OUR PRIOR CONSENT, IT MAY NEITHER BE DUPLICATED NOR MADE AVAILABLE TO A THIRD PARTY. AND IT ALSO MAY NOT BE IMPROPERLY USED BY THE RECEIVER, OR A THIRD PARTY.