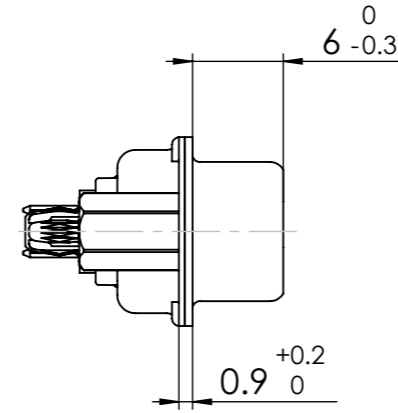
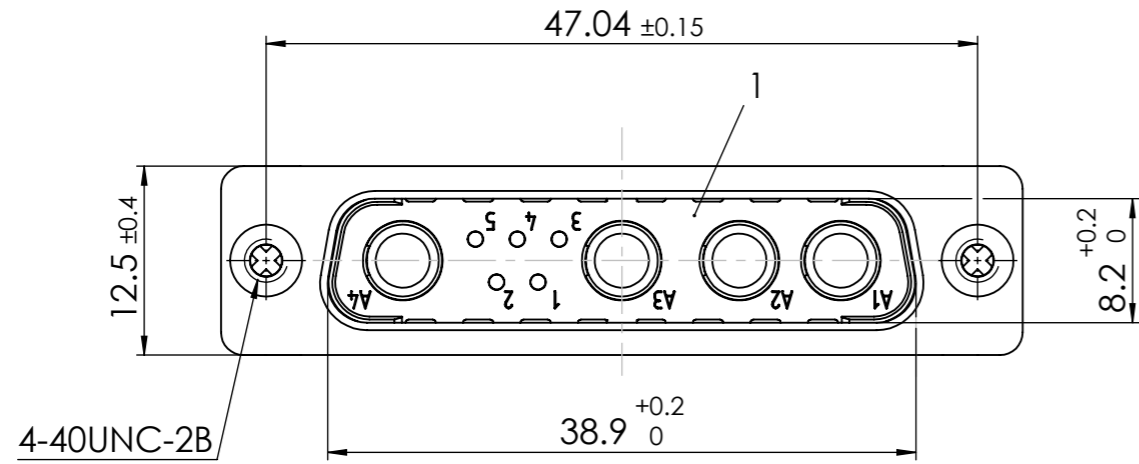
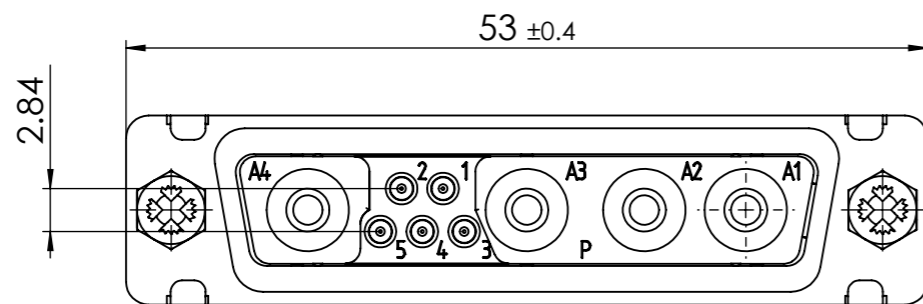
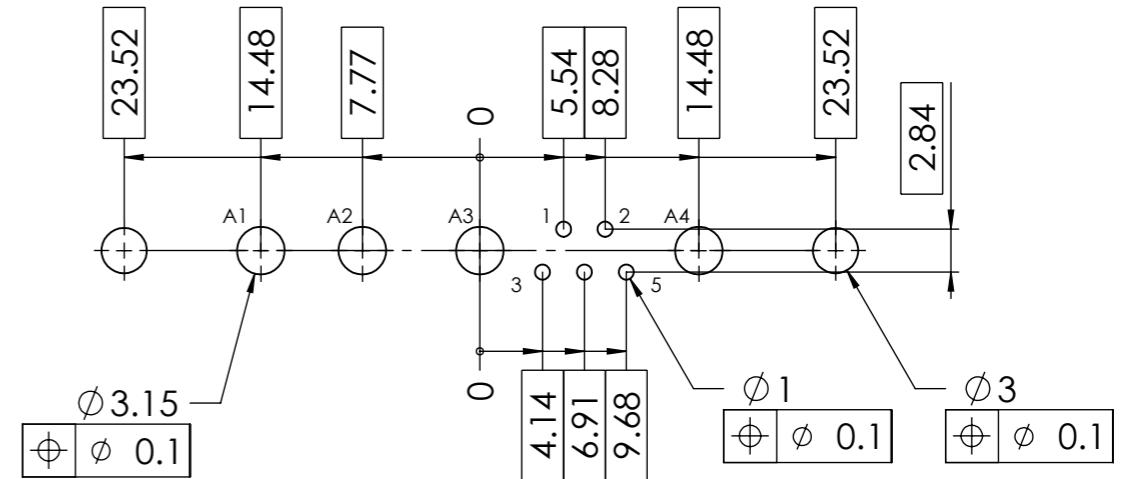
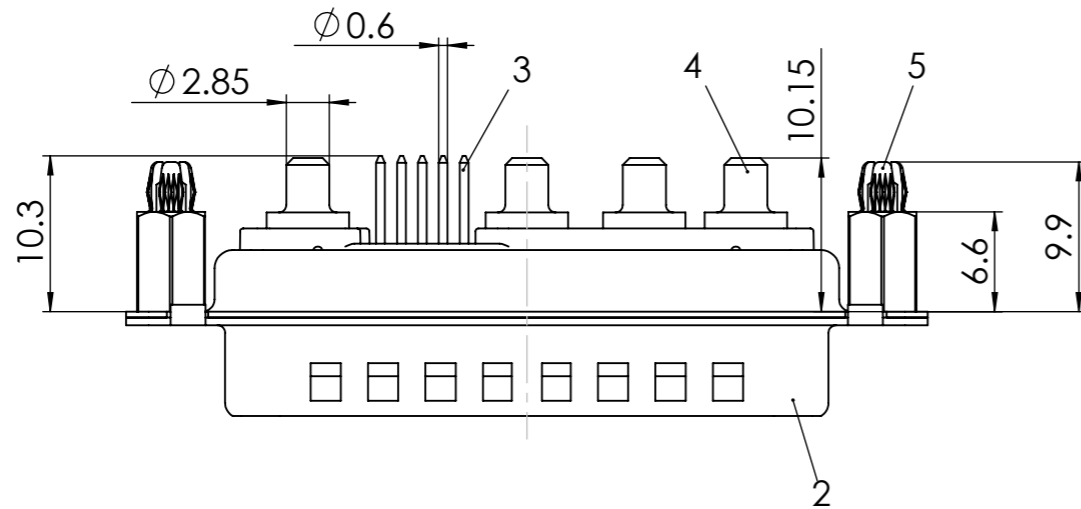


RoHS compliant
by exemption



PCB hole pattern, mounting side



5	2	Snap-in bolt	PCB 1.6mm / Brass	tin plated
4	4	High power contact	FMP010P104	20A
3	5	Signal contact	P1 / Brass	0.8µm Au
2	1	Shell	Steel	tin plated
1	1	Insulator	PBT (-55°C to +130°C) acc. UL94V-0	green
No.	St.	Part	Type Description/Material	Surface plating/Colour/Class

FUNCTIONAL SYMBOLS $\nabla = 0$ $\nabla = 0$ $\nabla = 0$					THIS DRAWING CONTAINS INFORMATION THAT IS PROPRIETARY TO MOLEX ELECTRONIC TECHNOLOGIES, LLC AND SHOULD NOT BE USED WITHOUT WRITTEN PERMISSION				
DIMENSION UNITS		SCALE		MEASUREMENTS WITHOUT TOLERANCE ACC. TO		molex FCT D-Sub Mixed-Layout Connector			
mm		2:1		ISO 2768-m					
REV.		CH.-NO.		CURRENT REVISION		PRODUCT CUSTOMER DRAWING			
2		24130		DRWN: DRAWN BY msteinbrueck 14-03-2023		MATERIAL NUMBER		REVISION	
1				APPR: APPR BY mteubel 14-03-2023		1731071939		2	
REPLACEMENT FOR:		FIRST ANGLE PROJECTION		DRAWING		DOCUMENT NUMBER		CUSTOMER	
		A3-SIZE				FM9W4P1-1410		GENERAL MARKET	
								SHEET NUMBER 1 OF 1	

COMMENT: ALL RIGHTS ARE RESERVED BY US FOR THIS DRAWING. WITHOUT OUR PRIOR CONSENT, IT MAY NEITHER BE DUPLICATED NOR MADE AVAILABLE TO A THIRD PARTY. AND IT ALSO MAY NOT BE IMPROPERLY USED BY THE RECEIVER, OR A THIRD PARTY.