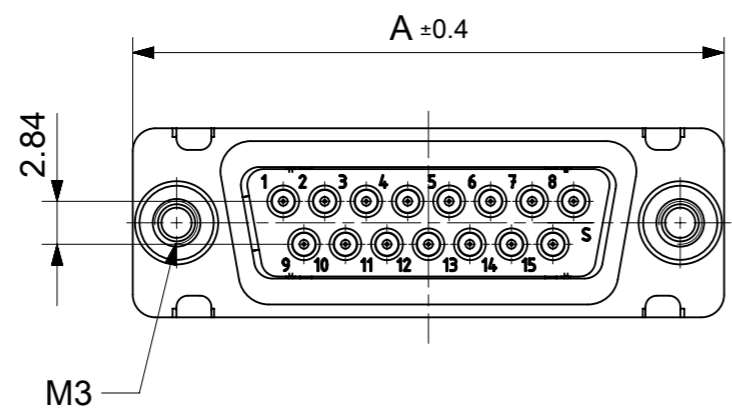
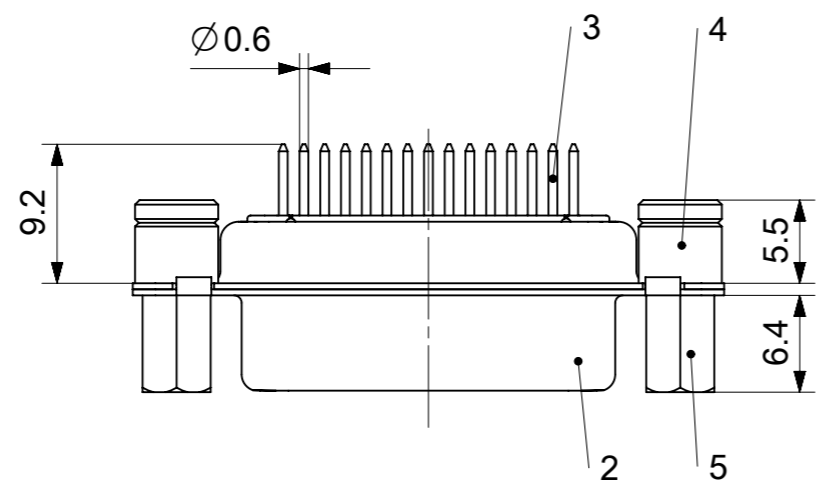
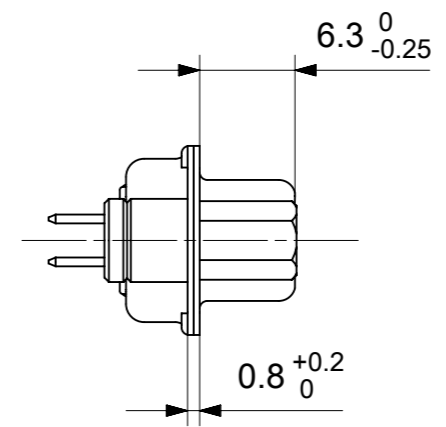
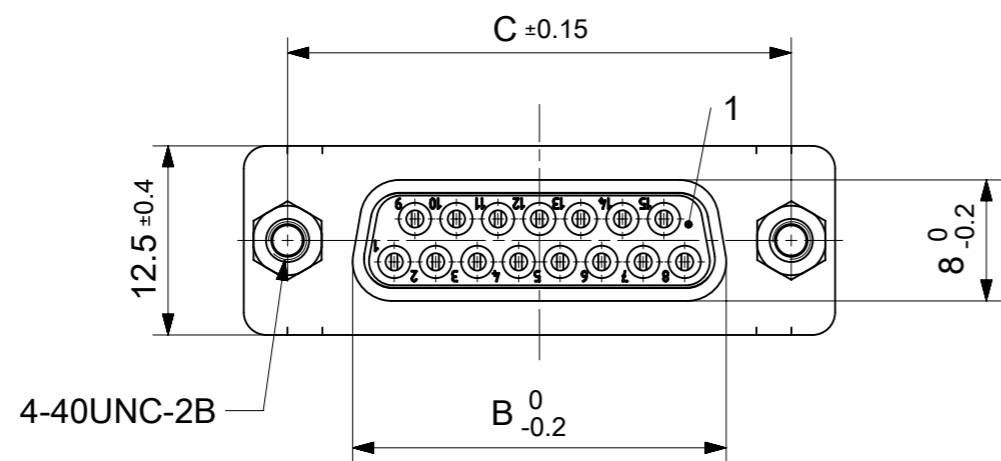


RoHS compliant  
by exemption



FCT Part number:

Fxx\*1)S24y\*2)-1426

e.g. F15S24G1-1426

\*1) xx No. of contacts 09, 15, 25 or 37

\*2) y for performance classes 1, 2 or 3

(contact cycle for G1/G2/G3 = 500/200/50)

Material Number	xx*1)	y*2)	A[mm]	B[mm]	C[mm]	*E[mm]
1731090410	09	G1	30.8	16.4	25	Ø1
1731092018		G2				
-	15	-	39.1	24.7	33.3	
1731092102	25	G2	53	38.5	47.04	
-	37	-	69.3	54.9	63.5	

\*PCB hole patterns ØE see document 2195600023

No.	Pc.	Part	Type Description/Material	Surface plating/Color/Class
5	2	Threaded spacer	4-40 / Steel	tin plated
4	2	Threaded spacer	M3 / Steel	tin plated
3	xx	Signal contact	S24 / Brass	G1/G2
2	1	Shell	Steel	tin plated
1	1	Insulator	PBT (-55°C to +125°C) acc. UL94V-0	white

MEASUREMENTS WITHOUT TOLERANCE ACC TO ISO 2768-m

REPLACEMENT FOR DOCUMENT NUMBER: FxxS24Gy-1426

FUNCTIONAL SYMBOLS: THIS DRAWING CONTAINS INFORMATION THAT IS PROPRIETARY TO MOLEX ELECTRONIC TECHNOLOGIES, LLC AND SHOULD NOT BE USED WITHOUT WRITTEN PERMISSION

FUNCTIONAL SYMBOLS: DIMENSION UNITS: mm, SCALE: 2:1, CURRENT REV DESC:

GENERAL TOLERANCES (UNLESS SPECIFIED): ANGULAR TOL ± °, 4 PLACES ±, 3 PLACES ±, 2 PLACES ±, 1 PLACE ±, 0 PLACES ±

DIVISIONAL SYMBOLS: DRAFT WHERE APPLICABLE MUST REMAIN WITHIN DIMENSIONS, FIRST ANGLE PROJECTION, DRAWING: A3-SIZE, SERIES: 173109, MATERIAL NUMBER: SEE TABLE, CUSTOMER: , SHEET NUMBER: 1 OF 1

EC NO: 705230, DRWN: SKANDB, 2021/11/23, CHK'D: MTEUBEL, 2022/05/09, APPR: MTEUBEL, 2022/05/09

INITIAL REVISION: DRWN: SKANDB, 2021/11/23, APPR: MTEUBEL, 2022/05/09

**molex**

FCT D-SUB MINIATURE CONNECTOR

PRODUCT CUSTOMER DRAWING

DOCUMENT NUMBER: 1731090410, DOC TYPE: PSD, DOC PART: 000, REVISION: A



$\varnothing E$ ,  $\varnothing F$  see data sheet incl. connector  
 $\varnothing F$  connectors with accessories only

MEASUREMENTS WITHOUT TOLERANCE ACC TO ISO 2768-m				REPLACEMENT FOR DOCUMENT NUMBER: AM0023			
THIS DRAWING CONTAINS INFORMATION THAT IS PROPRIETARY TO MOLEX ELECTRONIC TECHNOLOGIES, LLC AND SHOULD NOT BE USED WITHOUT WRITTEN PERMISSION							
FUNCTIONAL SYMBOLS	DIMENSION UNITS	SCALE	CURRENT REV DESC:				
$\nabla_A = 0$	mm	2:1	EC NO: 713905				
$\nabla_E = 0$	GENERAL TOLERANCES (UNLESS SPECIFIED)		DRWN: SKANDB 2022/05/16				
$\nabla_P = 0$	ANGULAR TOL $\pm$ °		CHK'D: MTEUBEL 2022/07/12				
DIVISIONAL SYMBOLS	4 PLACES $\pm$		APPR: MTEUBEL 2022/07/12				
	3 PLACES $\pm$		INITIAL REVISION:				
	2 PLACES $\pm$		DRWN: SKANDB 2022/05/16				
	1 PLACE $\pm$		APPR: MTEUBEL 2022/07/12				
	0 PLACES $\pm$		DOCUMENT NUMBER: 2195600023				
DRAFT WHERE APPLICABLE MUST REMAIN WITHIN DIMENSIONS		FIRST ANGLE PROJECTION	DRAWING	SERIES	MATERIAL NUMBER	CUSTOMER	DOC TYPE   DOC PART   REVISION
			A3-SIZE	219560	219560	GENERAL MARKET	PSD   000   A
DOCUMENT STATUS		P1	RELEASE DATE	2022/07/12	08:25:55	SHEET NUMBER	
						1 OF 1	