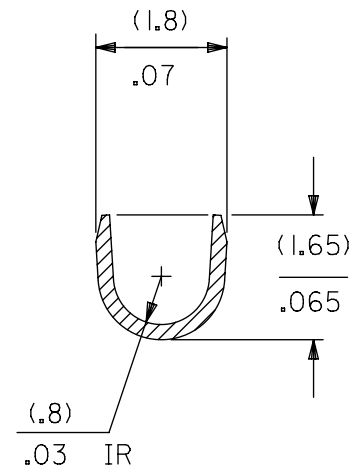
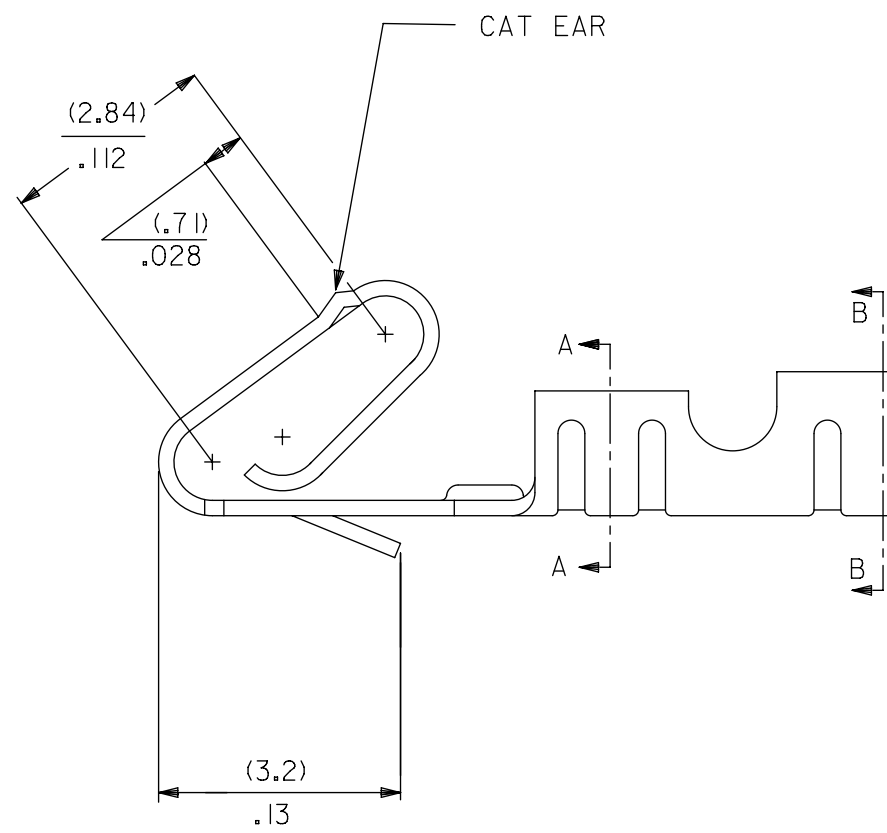
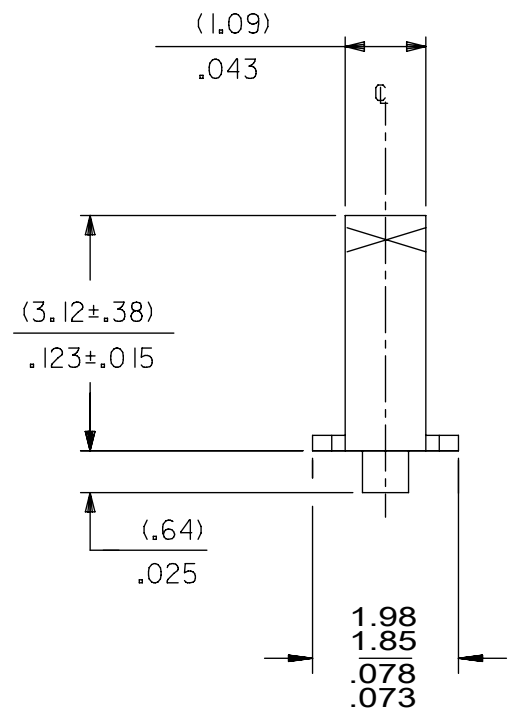
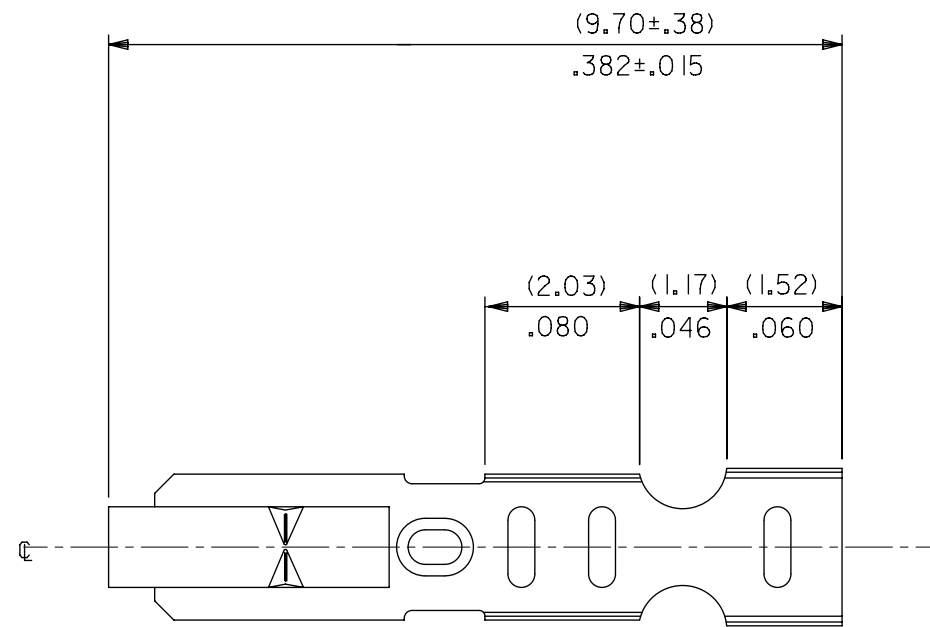
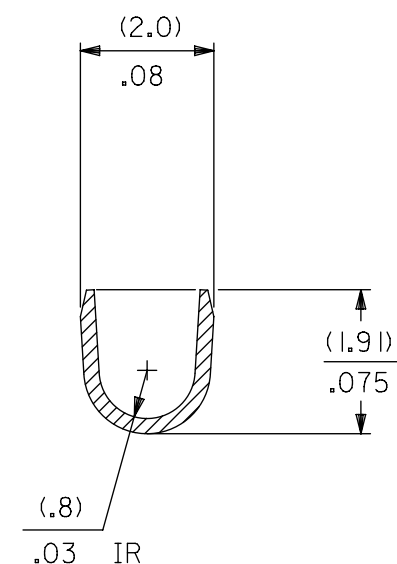


NOTES:

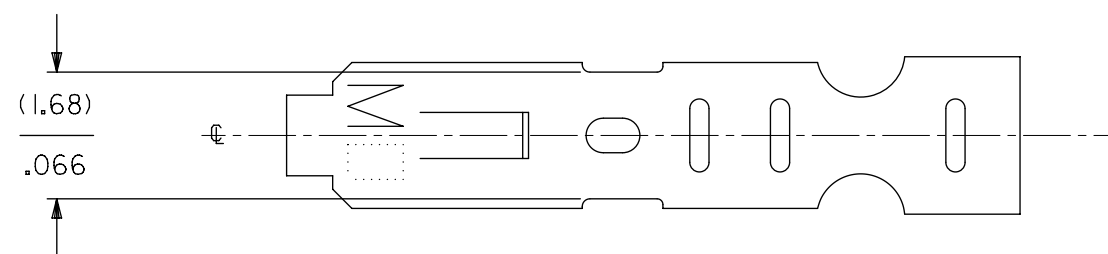
1. MATERIAL: PHOS BRONZE
2. FINISH: SEE LEGEND
3. PRODUCT SPECIFICATION: PS-10-07
4. PACKAGING: LOOSE TERMINALS: PER PK-2759-001
CHAIN FORM TERMINALS: PER PK-2759-002
5. INSERTION FORCE OF TERMINAL INTO (2.54)/.100 CL HOUSING IS 11.1 N / 2.5 LBS MAX.
6. TERMINAL RETENTION IN HOUSING IS 26.7N / 6LBS MIN. WHEN PULLED AT THE RATE OF 25.4MM / 1 INCH PER MINUTE.
7. DIMENSIONS GIVEN ACROSS CENTERLINES ARE SYMMETRICAL ABOUT THOSE CENTERLINES WITHIN HALF THE TOTAL TOLERANCE.
8. CRIMP IS FOR 22-30 GA WIRE WITH (1.57)/.062 DIA. INSULATION MAX.
9. THIS PART CONFORMS TO CLASS B REQUIREMENTS OF COSMETIC SPECIFICATION PS-45499-002



SECTION A-A
BACKGROUND OMITTED



SECTION B-B
BACKGROUND OMITTED



41572-*(***)*

MATERIAL: A= SEE NOTE 1

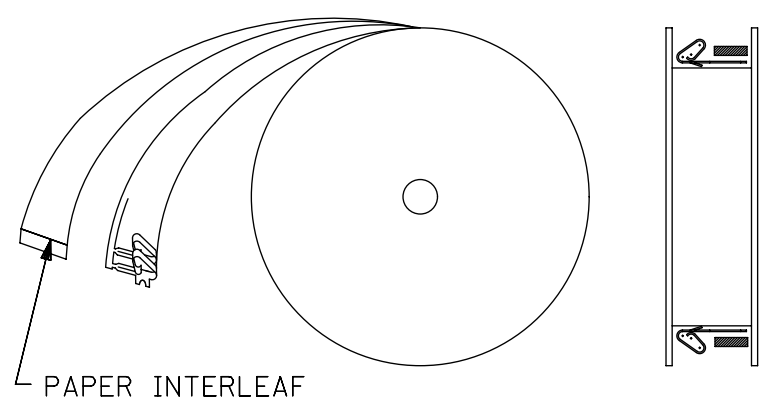
FORM: L=LOOSE, BLANK=CHAIN PER DETAIL B

PLATING

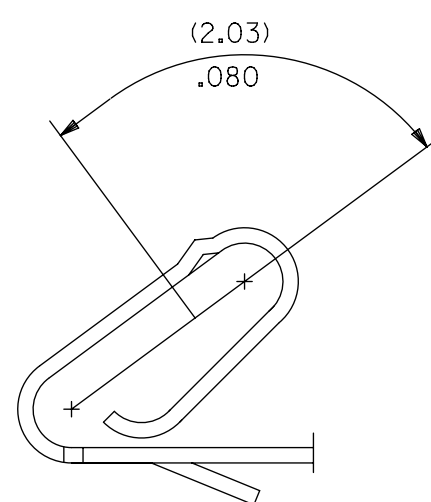
(P909) OVERALL HOT TIN DIP: (0.00254)/.000100 MIN.
(154) OVERALL TIN: (0.00254)/.000100 MIN. OVER
(0.00127)/.000050 MIN. NICKEL

PART NO.	ENG NO.
08-65-0804	41572-A(P909)
08-65-0805	41572-A(P909)L
41572-0002	41572-A(154)

WINDING DETAIL B
NOT TO SCALE



SELECT GOLD LOCATION



SYMBOLS		THIS DRAWING CONTAINS INFORMATION THAT IS PROPRIETARY TO MOLEX ELECTRONIC TECHNOLOGIES, LLC AND SHOULD NOT BE USED WITHOUT WRITTEN PERMISSION		CURRENT REV DESC: NOTE 4 UPDATED	
DIMENSION UNITS	SCALE	MM	INCH	EC NO:	DATE
MM/IN	1:1			605479	2018/09/11
GENERAL TOLERANCES (UNLESS SPECIFIED)				DRWN: SS06	2018/10/05
4 PLACES	±			CHK'D: ISHWARG	2018/10/05
3 PLACES	±	0.25	0.015	APPR: ISHWARG	2018/10/05
2 PLACES	±	0.38		INITIAL REVISION:	
1 PLACE	±			DRWN: SAMIEC	1993/03/19
0 PLACES	±			APPR:	
ANGULAR TOL	± 0.5°			THIRD ANGLE PROJECTION	DRAWING SERIES
DRAFT WHERE APPLICABLE MUST REMAIN WITHIN DIMENSIONS				C-SIZE	41572
DOCUMENT NUMBER		DOC TYPE		DOC PART	
SD-41572		PSD		001 G2	
MATERIAL NUMBER		CUSTOMER		SHEET NUMBER	
SEE CHART		GENERAL MARKET		1 OF 1	

molex

KK (2.54)/.100 CRIMP
TERMINAL 22-30 GA 6459 WITH CAT EAR

PRODUCT CUSTOMER DRAWING