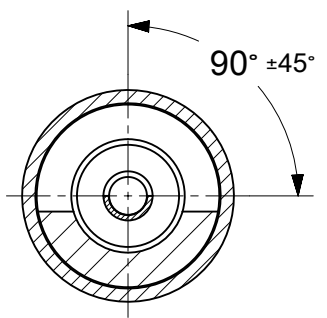


RoHS compliant
by exemption

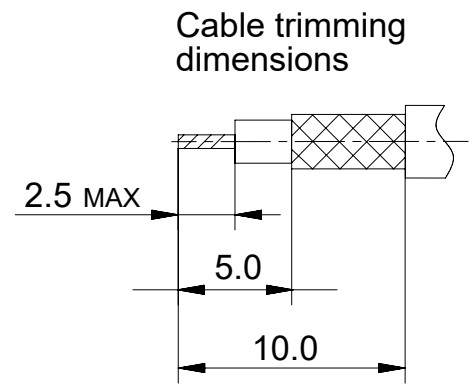
Crimping tools see document 2195600660
Cable RG174U, RG188AU, RG316U

1731120790	FDX002P102	102
1731120791	FDX002P116	116
Material Number	FCT Part Number	Material + Finish See extra sheet



Solderpot position

A-A



Cable trimming
dimensions

UNLESS OTHERWISE SPECIFIED DIMENSIONS FOR REFERENCE ONLY				REPLACEMENT FOR DOCUMENT NUMBER: FDX002P							
THIS DRAWING CONTAINS INFORMATION THAT IS PROPRIETARY TO MOLEX ELECTRONIC TECHNOLOGIES, LLC AND SHOULD NOT BE USED WITHOUT WRITTEN PERMISSION											
FUNCTIONAL SYMBOLS	DIMENSION UNITS	SCALE	CURRENT REV DESC:								
$\frac{F}{A} = 0$	mm	5:1	EC NO: 712027								
$\frac{F}{E} = 0$	GENERAL TOLERANCES (UNLESS SPECIFIED)		DRWN: VLOKESHA 2021/05/19								
$\frac{F}{P} = 0$	ANGULAR TOL ± °		CHK'D: MTEUBEL 2022/06/29								
DIVISIONAL SYMBOLS	4 PLACES	±	APPR: MTEUBEL 2022/06/29								
	3 PLACES	±	INITIAL REVISION:								
	2 PLACES	±	DRWN: VLOKESHA 2021/05/19								
	1 PLACE	±	APPR: MTEUBEL 2022/06/29								
	0 PLACES	±	DRAFT WHERE APPLICABLE MUST REMAIN WITHIN DIMENSIONS		FIRST ANGLE PROJECTION	DRAWING	SERIES	MATERIAL NUMBER	CUSTOMER	SHEET NUMBER	
						A4-SIZE	173112	SEE TABLE	GENERAL MARKET	1 OF 1	
			molex			FCT 50 OHM COAXIAL CONTACT FOR EN 60603-2			PRODUCT CUSTOMER DRAWING		
						DOCUMENT NUMBER			DOC TYPE	DOC PART	REVISION
						1731120790			PSD	000	A