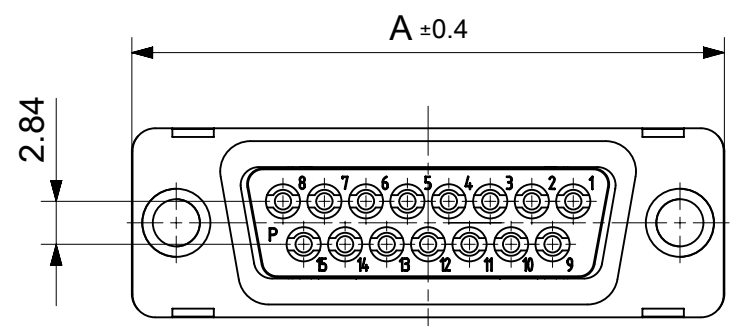
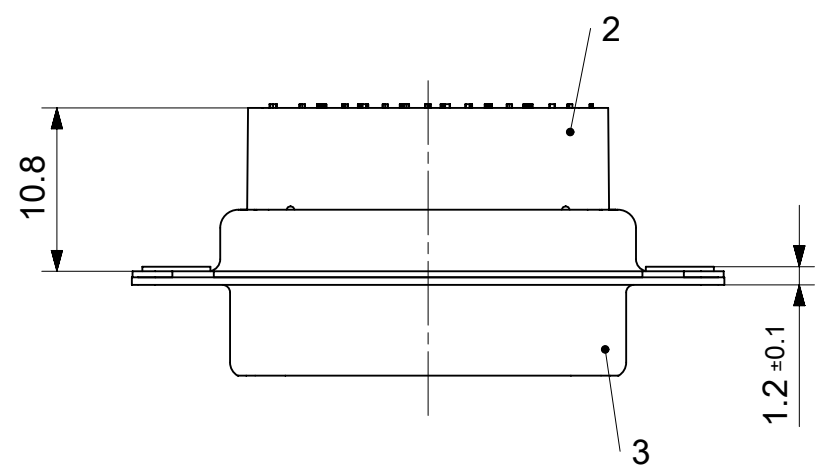
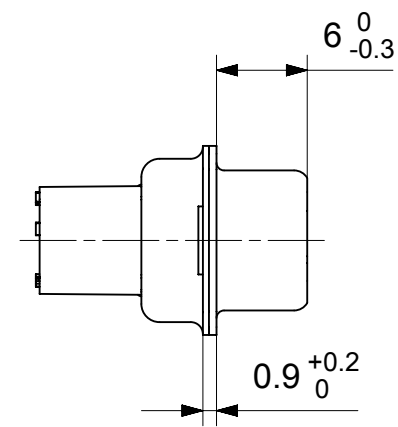
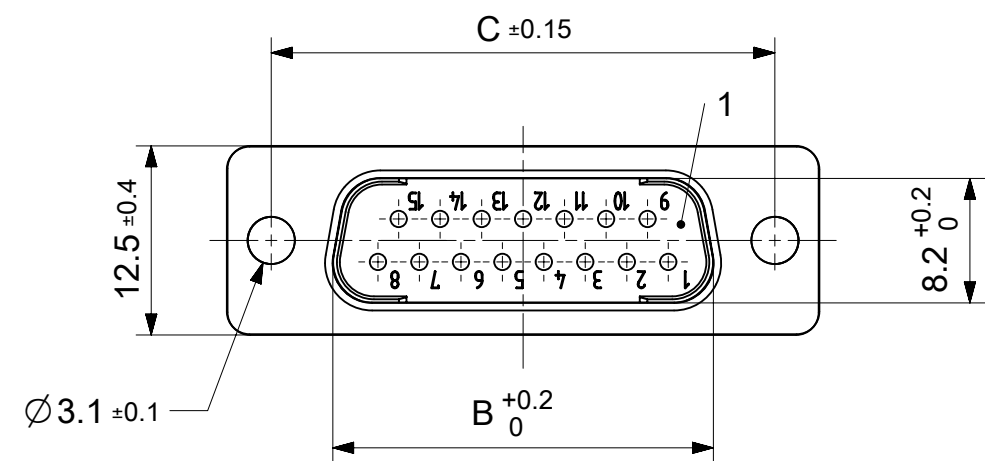


RoHS compliant
by exemption



FCT Part number:
FUxx*1)P7-K121
e.g. FU15P7-K121
*1) xx No. of contacts 09, 15, 25 or 37

Material Number	xx*1)	A[mm]	B[mm]	C[mm]
1731090535	09	30.8	16.9	25
1731090804	15	39.1	25.2	33.3
1731090803	25	53	38.9	47.04
-	37	69.3	55.3	63.5

Crimp contacts FK20P (AWG 20-24/1.3µm Au) included in delivery

3	1	Shell	Steel	tin plated
2	1	Insulator rear part	PEI (-55°C to +130°C)	green
1	1	Insulator front part	PBT acc. UL94V-0	green
No.	Pc.	Part	Type Description/Material	Surface plating/ Color/Class

MEASUREMENTS WITHOUT TOLERANCE ACC TO ISO 2768-m			REPLACEMENT FOR DOCUMENT NUMBER: FUxxP7-K121															
FUNCTIONAL SYMBOLS																		
THIS DRAWING CONTAINS INFORMATION THAT IS PROPRIETARY TO MOLEX ELECTRONIC TECHNOLOGIES, LLC AND SHOULD NOT BE USED WITHOUT WRITTEN PERMISSION	CURRENT REV DESC:		<p>FCT D-SUB CRIMP CONNECTOR</p>															
<table border="1"> <thead> <tr> <th>FUNCTIONAL SYMBOLS</th> <th>DIMENSION UNITS</th> <th>SCALE</th> </tr> </thead> <tbody> <tr> <td>$\nabla_A = 0$</td> <td>mm</td> <td>2:1</td> </tr> <tr> <td colspan="3">GENERAL TOLERANCES (UNLESS SPECIFIED)</td> </tr> <tr> <td>$\nabla_F = 0$</td> <td colspan="2">ANGULAR TOL ± °</td> </tr> <tr> <td>$\nabla_P = 0$</td> <td>4 PLACES</td> <td>±</td> </tr> </tbody> </table>	FUNCTIONAL SYMBOLS	DIMENSION UNITS				SCALE	$\nabla_A = 0$	mm	2:1	GENERAL TOLERANCES (UNLESS SPECIFIED)			$\nabla_F = 0$	ANGULAR TOL ± °		$\nabla_P = 0$	4 PLACES	±
FUNCTIONAL SYMBOLS	DIMENSION UNITS	SCALE																
$\nabla_A = 0$	mm	2:1																
GENERAL TOLERANCES (UNLESS SPECIFIED)																		
$\nabla_F = 0$	ANGULAR TOL ± °																	
$\nabla_P = 0$	4 PLACES	±																
DIVISIONAL SYMBOLS		DRWN: SKANDB	2022/08/18															
3 PLACES ±		CHK'D: MTEUBEL	2022/08/18	PRODUCT CUSTOMER DRAWING														
2 PLACES ±		APPR: MTEUBEL	2022/08/18	DOCUMENT NUMBER														
1 PLACE ±		INITIAL REVISION:	1731090535															
0 PLACES ±		DRWN: SKANDB	2022/04/05	DOC TYPE	DOC PART													
DRAFT WHERE APPLICABLE MUST REMAIN WITHIN DIMENSIONS		APPR: MTEUBEL	2022/08/18	PSD	000													
FIRST ANGLE PROJECTION		DRAWING	SERIES	MATERIAL NUMBER	CUSTOMER													
		A3-SIZE	173109	SEE TABLE	GENERAL MARKET													
					SHEET NUMBER													
					1 OF 1													