

MATERIAL NUMBER			CKT SIZE	DESCRIPTION	POL	COLOR
TRAY PACKAGING PK-31300-892	TUBE PACKAGING PK-31301-063	ALT TRAY PACK PK-31300-894				
34691-0200	34691-9200	34691-9204	20	STAC64 RIGHT ANGLE HEADER ASSEMBLY	A	BLACK
34691-0201	34691-9201	TBD	20	STAC64 RIGHT ANGLE HEADER ASSEMBLY	B	GREY
34691-0202	34691-9202	TBD	20	STAC64 RIGHT ANGLE HEADER ASSEMBLY	C	BROWN
34691-0203	34691-9203	TBD	20	STAC64 RIGHT ANGLE HEADER ASSEMBLY	D	GREEN
34691-0160	34691-9160	TBD	16	STAC64 RIGHT ANGLE HEADER ASSEMBLY	A	BLACK
34691-0161	34691-9161	TBD	16	STAC64 RIGHT ANGLE HEADER ASSEMBLY	B	GREY
34691-0162	34691-9162	TBD	16	STAC64 RIGHT ANGLE HEADER ASSEMBLY	C	BROWN
34691-0120	34691-9120	TBD	12	STAC64 RIGHT ANGLE HEADER ASSEMBLY	A	BLACK
34691-0121	34691-9121	TBD	12	STAC64 RIGHT ANGLE HEADER ASSEMBLY	B	GREY
34691-0122	34691-9122	TBD	12	STAC64 RIGHT ANGLE HEADER ASSEMBLY	C	BROWN
34691-0080	34691-9080	TBD	8	STAC64 RIGHT ANGLE HEADER ASSEMBLY	A	BLACK
34691-0081	34691-9081	TBD	8	STAC64 RIGHT ANGLE HEADER ASSEMBLY	B	GREY
34691-0082	34691-9082	TBD	8	STAC64 RIGHT ANGLE HEADER ASSEMBLY	C	BROWN

- NOTES: VALID UNLESS OTHERWISE SPECIFIED  
1. GENERAL:
- CONNECTOR HEADER MUST BE VALIDATED TO THE FOLLOWING FUNCTIONAL REQUIREMENTS:  
POLARIZATION FEATURE EFFECTIVENESS - SEE PRODUCT SPECIFICATION  
PIN RETENTION - USCAR-2 REV 4  
SOLDERABILITY - SMES-152
  - APPLICATION REQUIREMENTS (REFERENCE ONLY) FOR:  
SEE APPLICATION SPECIFICATION - AS-34729-020/AS-31408-100  
SEE PRODUCT SPECIFICATION - PS-34729-020/PS-31408-100
  - PACKAGING SPECIFICATION: SEE CHART
2. DESIGN: MATERIALS:
- SHROUD (PLASTIC HOUSING):  
RESIN - SPS 30%GF - 20% REGRIND MAX. BY WEIGHT
  - 0.64MM PINS:  
BASE MATERIAL: C26000  
PLATING TYPE: AS NOTED
  - PIN ALIGNMENT PLATE: NYLAR
3. PLATING REQUIREMENTS:
- UNDERPLATING - OVERALL NICKEL
  - OVERPLATING - OVERALL TIN
4. INTERFACE: USCAR  
064-U-008-2-202  
064-U-012-2-203  
064-U-016-2-203  
064-U-020-2-202  
SOME CHAMFERS HAVE BEEN MODIFIED TO IMPROVE POLARIZATION EFFECTIVENESS. SEE AS-34729-002/AS-31408-100.

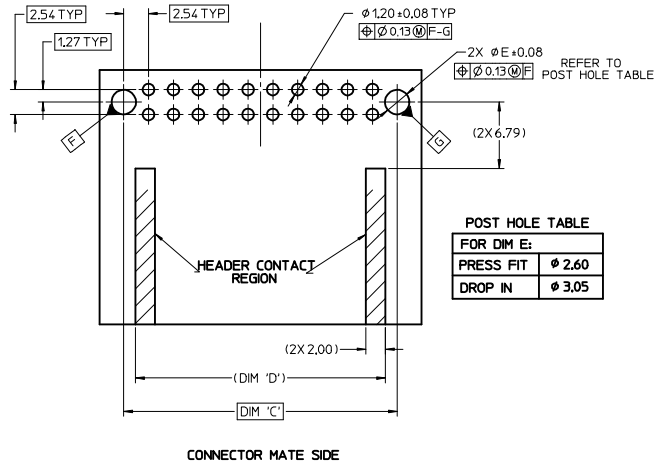
<b>UPDATED DIMENSIONS</b> EC NO: UAU2007-1044 CHYD: FISCHER01 2017/05/11 APPR: RAJMAN 2017/05/15	<b>QUALITY SYMBOLS</b> 	<b>GENERAL TOLERANCES (UNLESS SPECIFIED)</b> <table border="1"> <tr><th></th><th>mm</th><th>INCH</th></tr> <tr><td>4 PLACES</td><td>±.005</td><td>±.0005</td></tr> <tr><td>3 PLACES</td><td>±.008</td><td>±.0008</td></tr> <tr><td>2 PLACES</td><td>±.013</td><td>±.0013</td></tr> <tr><td>1 PLACE</td><td>±.025</td><td>±.0025</td></tr> </table>			mm	INCH	4 PLACES	±.005	±.0005	3 PLACES	±.008	±.0008	2 PLACES	±.013	±.0013	1 PLACE	±.025	±.0025	<b>DIMENSION STYLE</b> MM ONLY	<b>SCALE</b> 2:1	<b>DESIGN UNITS</b> METRIC	
			mm	INCH																		
4 PLACES	±.005	±.0005																				
3 PLACES	±.008	±.0008																				
2 PLACES	±.013	±.0013																				
1 PLACE	±.025	±.0025																				
DRAWN BY: MBAILEY DATE: 10/02/06 CHECKED BY: DATE: EDILLON 04/18/07 APPROVED BY: DATE: SMARCEAU 2010/11/04		<b>TITLE</b> STAC64 SINGLE BAY RIGHT ANGLE ASSEMBLY SALES DRAWING		<b>MOLEX INCORPORATED</b> MATERIAL NO. SD-34691-100 DOCUMENT NO.		SHEET NO. 1 OF 2																

DRAFT WHERE APPLICABLE MUST REMAIN WITHIN DIMENSIONS

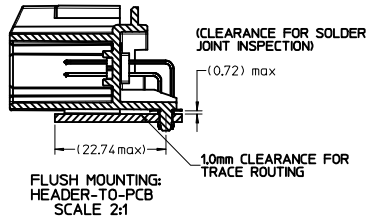
THIS DRAWING CONTAINS INFORMATION THAT IS PROPRIETARY TO MOLEX INCORPORATED AND SHOULD NOT BE USED WITHOUT WRITTEN PERMISSION

CKT SIZE	DIM 'A'	DIM 'B'	DIM 'C'	DIM 'D'
20	34.04	31.57	27.94	25.54
16	28.96	26.49	22.86	20.46
12	23.88	21.41	17.78	15.38
8	18.80	16.53	12.70	10.30

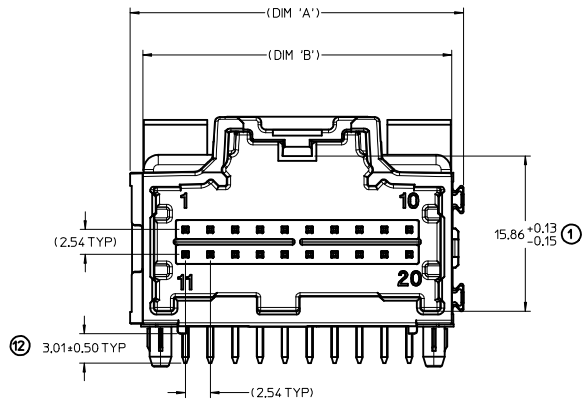
### RECOMMENDED PCB LAYOUT



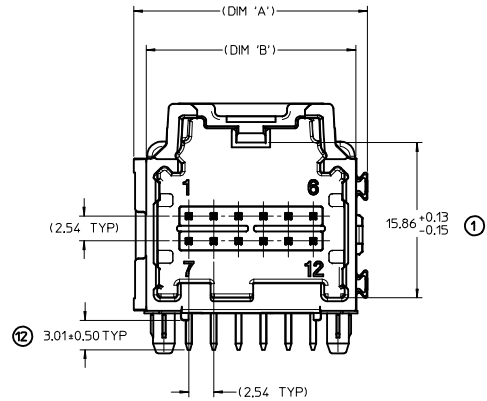
POST HOLE TABLE	
FOR DIM E:	
PRESS FIT	φ 2.60
DROP IN	φ 3.05



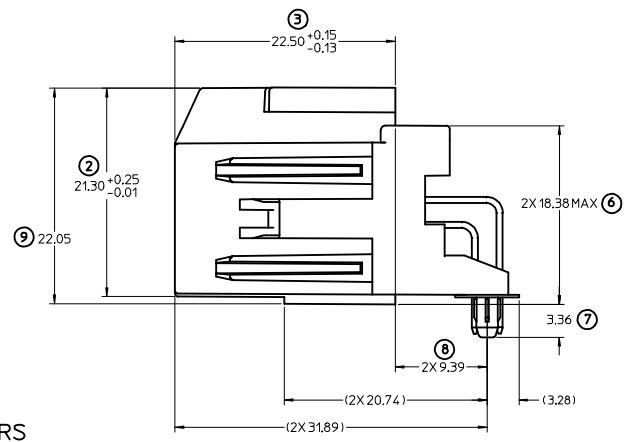
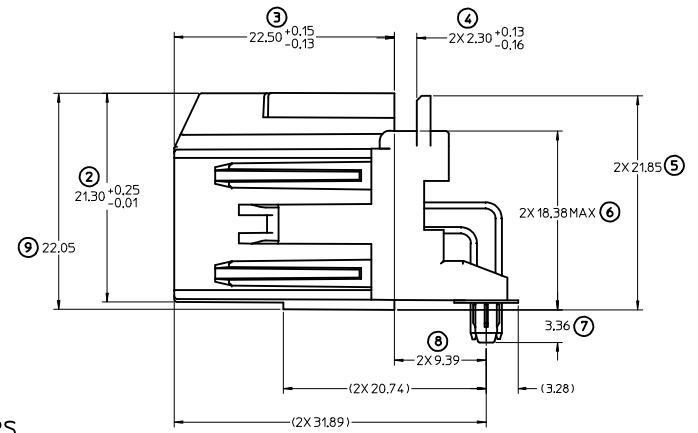
\*RECOMMENDED FOR WAVE SOLDER\*  
FOR REFLOW CAPABLE PLASTIC PAP SEE:  
SD-34691-600



LAYOUT FOR 16 & 20 CKT. HEADERS  
(20 CKT. OPTION 'A' SHOWN)



LAYOUT FOR 8 & 12 CKT. HEADERS  
(12 CKT. OPTION 'A' SHOWN)



<b>UPDATED DIMENSIONS</b> IEC NO. UAU2017-1044 DRAWN/FISCHER01 2017/05/11 CHKD: APPR:RBALMAN 2017/05/15 REV DESCRIPTION	<b>QUALITY SYMBOLS</b> ▽=0 ▽=0		<b>GENERAL TOLERANCES (UNLESS SPECIFIED)</b>		<b>DIMENSION STYLE</b> MM ONLY		SCALE 4:1	DESIGN UNITS METRIC	THIRD ANGLE PROJECTION
	4 PLACES	±	mm	±	INCH	DRAWN BY MBAILEY	DATE 10/02/06	TITLE STAC64 SINGLE BAY RIGHT ANGLE ASSEMBLY SALES DRAWING	
	3 PLACES	±	0.13	±		CHECKED BY CDILLON	DATE 04/18/07	MOLEX INCORPORATED	
	1 PLACE	±	0.25	±		APPROVED BY SMARCEAU	DATE 2010/11/04	MATERIAL NO. SEE CHART	
DRAFT WHERE APPLICABLE MUST REMAIN WITHIN DIMENSIONS			ANGULAR ± 3°		DOCUMENT NO. SD-34691-100		SHEET NO. 2 OF 2		THIS DRAWING CONTAINS INFORMATION THAT IS PROPRIETARY TO MOLEX INCORPORATED AND SHOULD NOT BE USED WITHOUT WRITTEN PERMISSION