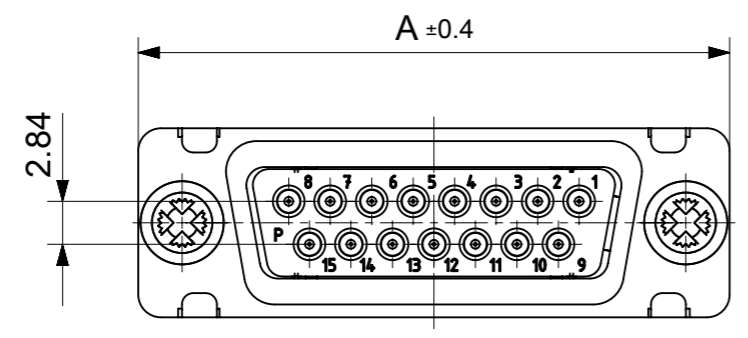
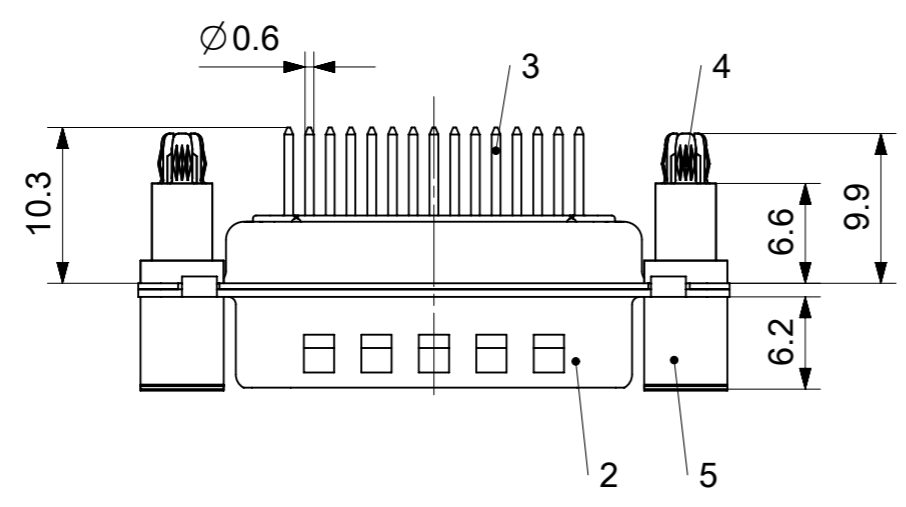
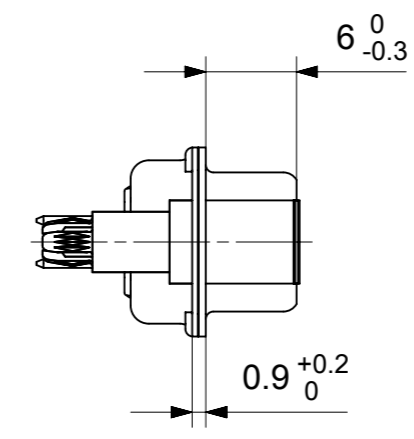
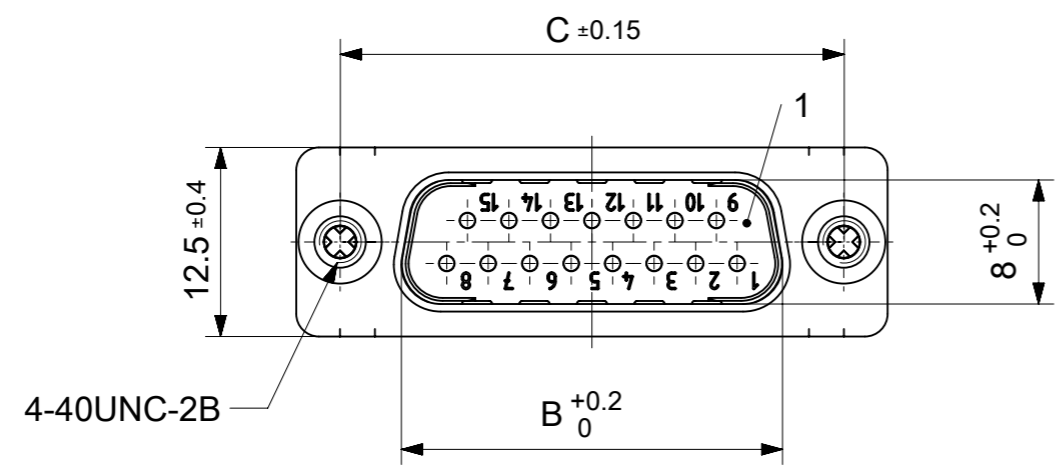


RoHS compliant
by exemption



FCT Part number:

Fxx*1)P1y*2)-1276

e.g. F15P1G1-1276

*1) xx No. of contacts 09, 15, 25 or 37

*2) y for performance classes 1, 2 or 3

(contact cycle for G1/G2/G3 = 500/200/50)

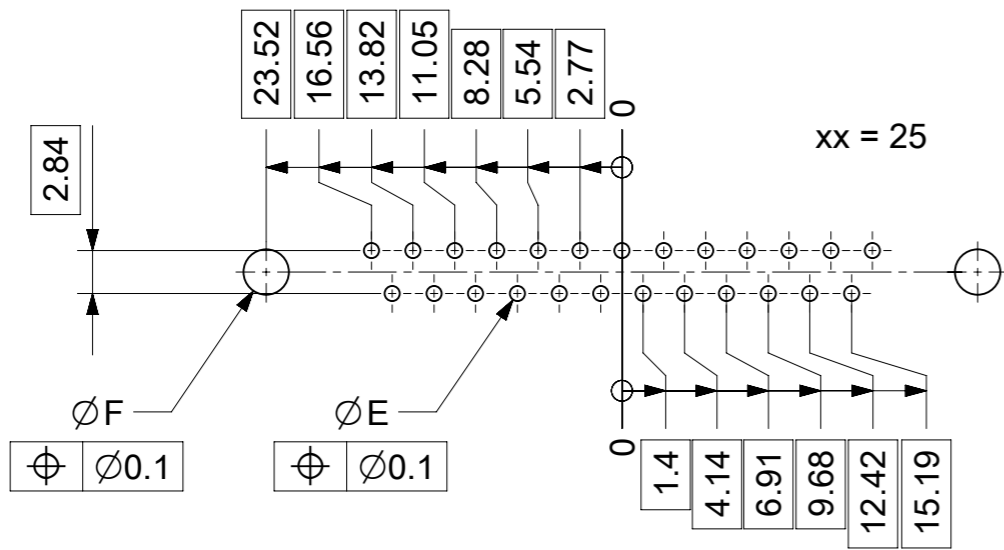
Material Number	xx*1)	y*2)	A[mm]	B[mm]	C[mm]	*E[mm]	*F[mm]
1731090824	09	G1	30.8	16.9	25	Ø1	Ø3
1731090354		G2					
1731091247	15	G1	39.1	25.2	33.3		
1731091259		G2					
1731091397	25	G1	53	38.9	47.04		
-	37	-	69.3	55.3	63.5		

*PCB hole patterns ØE, ØF see document 2195600023

5	2	Support sleeve	Brass	tin plated
4	2	Snap-in bolt	PCB 1.6mm / Brass	tin plated
3	xx	Signal contact	P1 / Brass	G1 / G2
2	1	Shell	Steel	tin plated
1	1	Insulator	PBT (-55°C to +125°C) acc. UL94V-0	white
No.	Pc.	Part	Type Description/Material	Surface plating/ Color/Class

MEASUREMENTS WITHOUT TOLERANCE ACC TO ISO 2768-m REPLACEMENT FOR DOCUMENT NUMBER: FxxP1Gy-1276

FUNCTIONAL SYMBOLS	THIS DRAWING CONTAINS INFORMATION THAT IS PROPRIETARY TO MOLEX ELECTRONIC TECHNOLOGIES, LLC AND SHOULD NOT BE USED WITHOUT WRITTEN PERMISSION	CURRENT REV DESC:		molex					
	<table border="1"> <tr> <th>DIMENSION UNITS</th> <th>SCALE</th> </tr> <tr> <td>mm</td> <td>2:1</td> </tr> </table>	DIMENSION UNITS	SCALE		mm	2:1	EC NO: 706086		FCT D-SUB MINIATURE CONNECTOR
	DIMENSION UNITS	SCALE							
	mm	2:1							
GENERAL TOLERANCES (UNLESS SPECIFIED)	DRWN: GOOLAM 2021/11/25								
ANGULAR TOL ± °	CHK'D: MTEUBEL 2022/05/11								
4 PLACES ±	APPR: MTEUBEL 2022/05/11								
DIVISIONAL SYMBOLS	INITIAL REVISION:	DOCUMENT NUMBER		PRODUCT CUSTOMER DRAWING					
	3 PLACES ±	1731090824							
	2 PLACES ±	DOC TYPE DOC PART REVISION							
	1 PLACE ±	PSD 000 A							
0 PLACES ±	DRWN: GOOLAM 2021/11/25	MATERIAL NUMBER		SHEET NUMBER					
DRAFT WHERE APPLICABLE MUST REMAIN WITHIN DIMENSIONS		173109							
FIRST ANGLE PROJECTION		CUSTOMER							
DRAWING		GENERAL MARKET							



ØE, ØF see data sheet incl. connector
 ØF connectors with accessories only

MEASUREMENTS WITHOUT TOLERANCE ACC TO ISO 2768-m			REPLACEMENT FOR DOCUMENT NUMBER: AM0023			
THIS DRAWING CONTAINS INFORMATION THAT IS PROPRIETARY TO MOLEX ELECTRONIC TECHNOLOGIES, LLC AND SHOULD NOT BE USED WITHOUT WRITTEN PERMISSION						
FUNCTIONAL SYMBOLS	DIMENSION UNITS	SCALE	CURRENT REV DESC:			
$\nabla_A = 0$	mm	2:1	EC NO: 713905			
$\nabla_E = 0$	GENERAL TOLERANCES (UNLESS SPECIFIED)		DRWN: SKANDB 2022/05/16			
$\nabla_F = 0$	ANGULAR TOL ± °		CHK'D: MTEUBEL 2022/07/12			
DIVISIONAL SYMBOLS	4 PLACES ±		APPR: MTEUBEL 2022/07/12			
	3 PLACES ±		INITIAL REVISION:			
	2 PLACES ±		DRWN: SKANDB 2022/05/16			
	1 PLACE ±		APPR: MTEUBEL 2022/07/12			
	0 PLACES ±		DOCUMENT NUMBER			
DRAFT WHERE APPLICABLE MUST REMAIN WITHIN DIMENSIONS		FIRST ANGLE PROJECTION	DRAWING	SERIES	MATERIAL NUMBER	CUSTOMER
			A3-SIZE	219560	219560	GENERAL MARKET
			PRODUCT CUSTOMER DRAWING		DOC TYPE	DOC PART
			2195600023		PSD	000
			A		REVISION	
			1 OF 1			