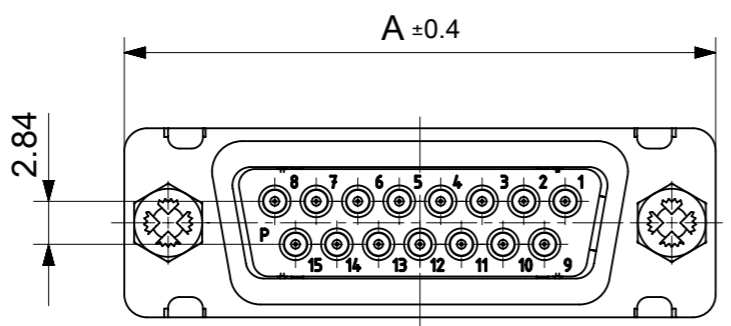
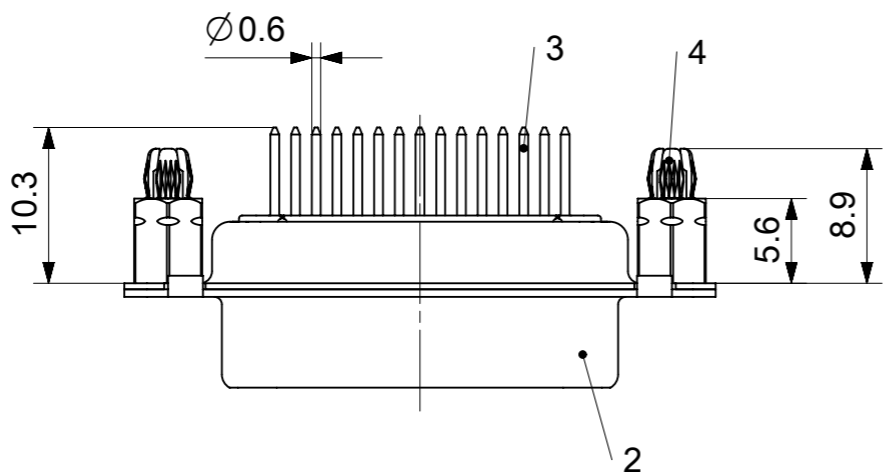
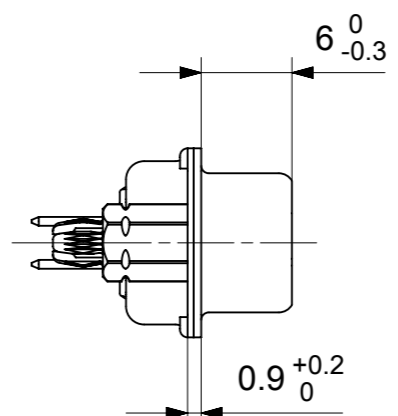
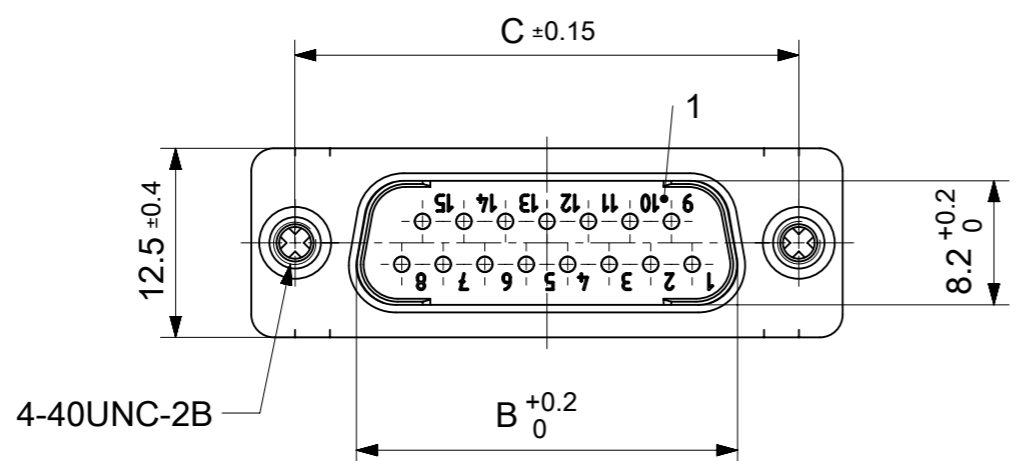


RoHS compliant
by exemption



FCT Part number:

Fxx*1)P1G1A-2487

e.g. F15P1G1A-2487

*1) xx No. of contacts 09, 15, 25 or 37

| Material Number | xx*1) | A[mm] | B[mm] | C[mm] | *E[mm] | *F[mm] |
|-----------------|-------|-------|-------|-------|--------|--------|
| 1731091062 | 09 | 30.8 | 16.9 | 25 | Ø1 | Ø3 |
| - | 15 | 39.1 | 25.2 | 33.3 | | |
| 1731091401 | 25 | 53 | 38.9 | 47.04 | Ø1 | Ø3 |
| - | 37 | 69.3 | 55.3 | 63.5 | | |

*PCB hole patterns ØE, ØF see document 2195600023

| No. | Pc. | Part | Type Description/Material | Surface plating/ Color/Class |
|-----|-----|----------------|------------------------------------|---------------------------------|
| 4 | 2 | Snap-in bolt | PCB 1.6mm / Brass | tin plated |
| 3 | xx | Signal contact | P1 / Brass | AuroPur |
| 2 | 1 | Shell | Steel | tin plated |
| 1 | 1 | Insulator | PBT (-55°C to +125°C) acc. UL94V-0 | white |

MEASUREMENTS WITHOUT TOLERANCE ACC TO ISO 2768-m

REPLACEMENT FOR DOCUMENT NUMBER: FxxP1G1A-2487

FUNCTIONAL SYMBOLS: THIS DRAWING CONTAINS INFORMATION THAT IS PROPRIETARY TO MOLEX ELECTRONIC TECHNOLOGIES, LLC AND SHOULD NOT BE USED WITHOUT WRITTEN PERMISSION

DIMENSION UNITS: mm

SCALE: 2:1

GENERAL TOLERANCES (UNLESS SPECIFIED):

ANGULAR TOL: ± °

4 PLACES: ±

3 PLACES: ±

2 PLACES: ±

1 PLACE: ±

0 PLACES: ±

DIVISIONAL SYMBOLS: DRAFT WHERE APPLICABLE MUST REMAIN WITHIN DIMENSIONS

FIRST ANGLE PROJECTION

DRAWING: A3-SIZE

SERIES: 173109

MATERIAL NUMBER: SEE TABLE

CUSTOMER: GENERAL MARKET

SHEET NUMBER: 1 OF 1

EC NO: 707726

DRWN: GOOLAM 2021/11/30

CHK'D: MTEUBEL 2022/05/25

APPR: MTEUBEL 2022/05/25

INITIAL REVISION: DRWN: GOOLAM 2021/11/30, APPR: MTEUBEL 2022/05/25

DOCUMENT NUMBER: 1731091062

DOC TYPE: PSD

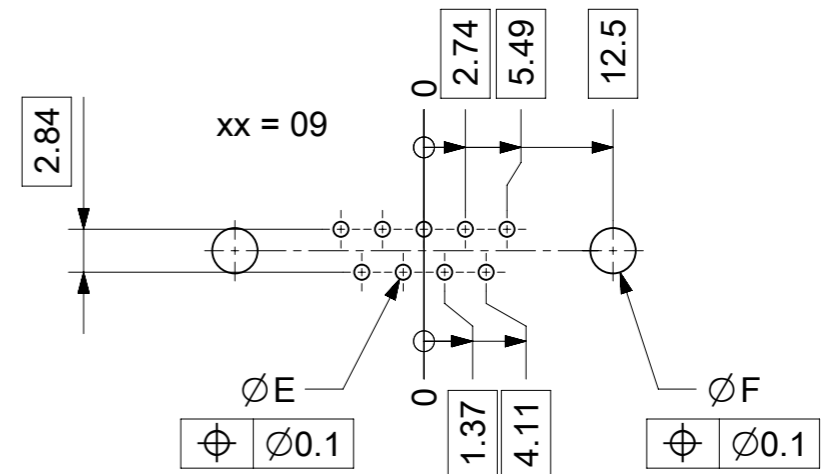
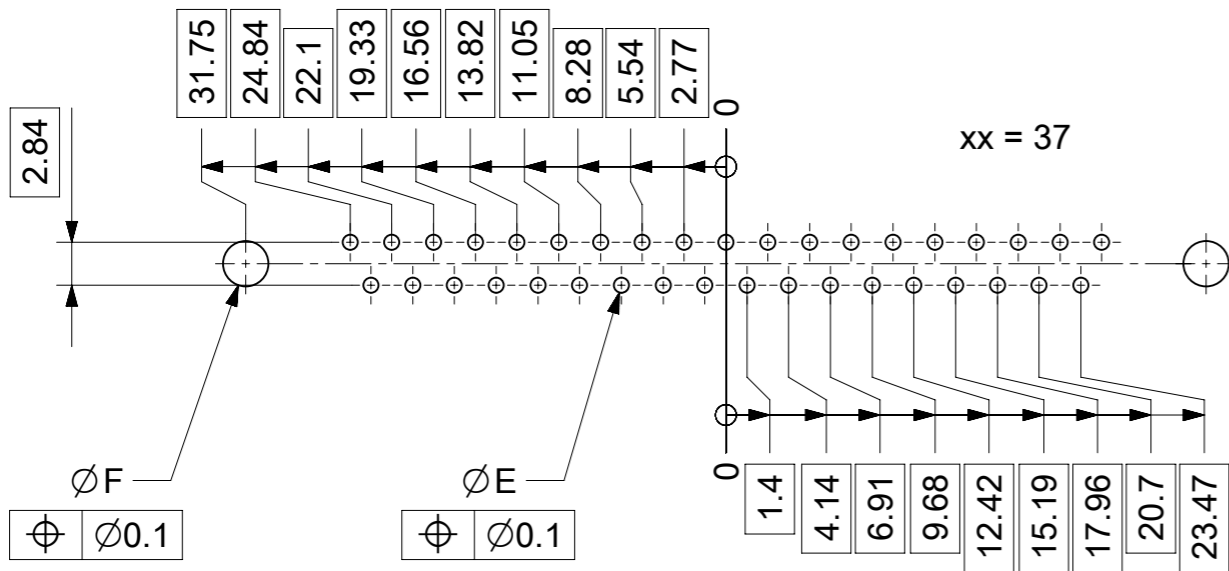
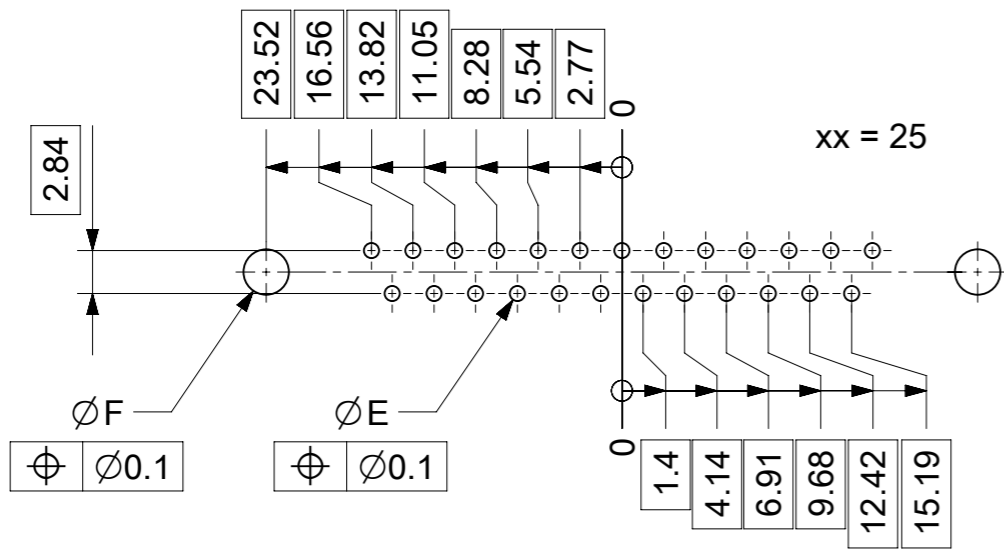
DOC PART: 000

REVISION: A

molex

FCT D-SUB MINIATURE CONNECTOR

PRODUCT CUSTOMER DRAWING



ØE, ØF see data sheet incl. connector
 ØF connectors with accessories only

| | | | | | | | | |
|--|---|-------------------------|--|--------|-----------------|-------------------------|----------|--------------|
| MEASUREMENTS WITHOUT TOLERANCE ACC TO ISO 2768-m | | | REPLACEMENT FOR DOCUMENT NUMBER: AM0023 | | | | | |
| FUNCTIONAL SYMBOLS | THIS DRAWING CONTAINS INFORMATION THAT IS PROPRIETARY TO MOLEX ELECTRONIC TECHNOLOGIES, LLC AND SHOULD NOT BE USED WITHOUT WRITTEN PERMISSION | | CURRENT REV DESC: | | | | | |
| | △/A = 0 | DIMENSION UNITS: mm | | | | SCALE: 2:1 | | |
| △/E = 0 | GENERAL TOLERANCES (UNLESS SPECIFIED) | | molex FCT PCB HOLE PATTERN STRAIGHT CONTACT NO. OF CONTACTS 09-37 | | | | | |
| △/P = 0 | ANGULAR TOL ± ° | | | | | | | |
| DIVISIONAL SYMBOLS | 4 PLACES | ± | | | | EC NO: 713905 | | |
| | 3 PLACES | ± | | | | DRWN: SKANDB 2022/05/16 | | |
| | 2 PLACES | ± | CHK'D: MTEUBEL 2022/07/12 | | | | | |
| | 1 PLACE | ± | APPR: MTEUBEL 2022/07/12 | | | | | |
| INITIAL REVISION: | | DOCUMENT NUMBER | | | DOC TYPE | DOC PART | REVISION | |
| 0 PLACES | ± | DRWN: SKANDB 2022/05/16 | | | 2195600023 | PSD | 000 | A |
| DRAFT WHERE APPLICABLE MUST REMAIN WITHIN DIMENSIONS | | FIRST ANGLE PROJECTION | DRAWING | SERIES | MATERIAL NUMBER | CUSTOMER | | SHEET NUMBER |
| | | | A3-SIZE | 219560 | 219560 | GENERAL MARKET | | 1 OF 1 |