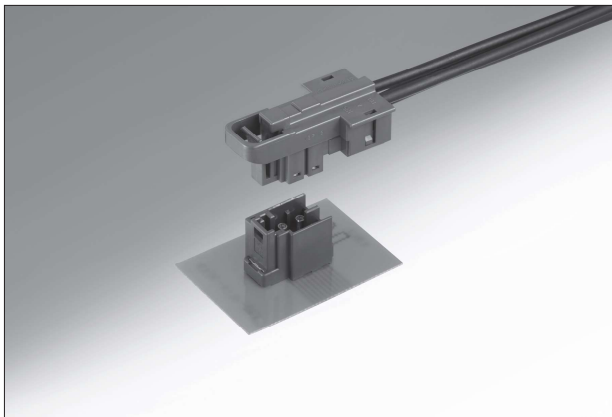


GT36 Series

— Board Straight, Cable Side Right Angle Coaxial Connector —



■ Features

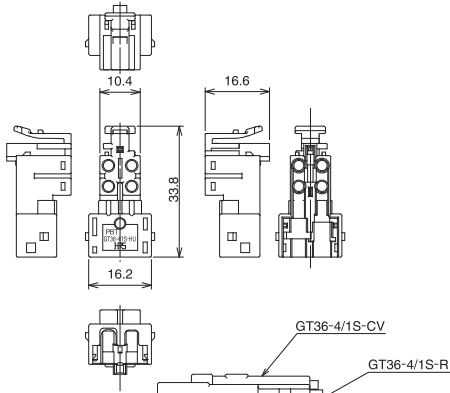
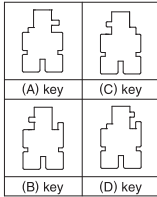
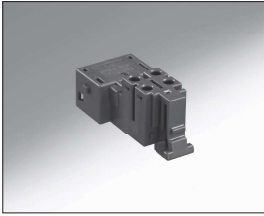
- Supported frequency range DC to 2.5 GHz
- Board connector straight type/Cable connector right-angle type

■ Applications

Various antennas within the DC to 2.5 GHz frequency range

Jun. 1, 2024. Copyright 2024 HIROSE ELECTRIC CO., LTD. All Rights Reserved.

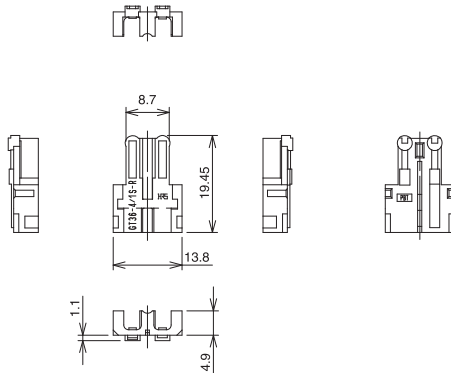
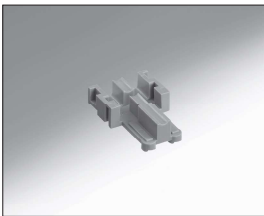
■ Housing for F Connector (4 Coaxial)



Shown with retainer and cover attached.

Part No.	HRS No.	Material	Color	Key position	Sales unit	RoHS
GT36-4/1S-HU(A)-A	786-0065-0	PBT	Brown	(A)	1	○
GT36-4/1S-HU(B)-A	786-0066-2		Green	(B)		
GT36-4/1S-HU(C)-A	786-0067-5		Blue	(C)		
GT36-4/1S-HU(D)-A	786-0068-8		Black	(D)		

■ Retainer for F Connector

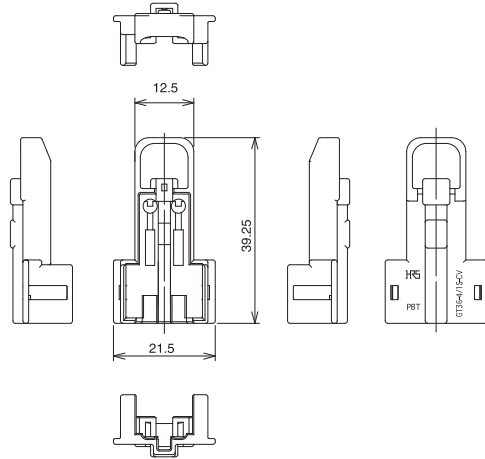


Part No.	HRS No.	Material	Color	Sales unit	RoHS
GT36-4/1S-R-A	786-0069-0	PBT	Light gray	1	○

GT5
GT13
GT16
GT19
GT21
GT36
GT43
GT17
GT32
GT25
KM37
ZE05
ZG05L2
HM-H-200
ZE64W
H2071L
FX26
DF40
DF40GL
FH28K
FH52K
FH65
FH40
FH63
FH67

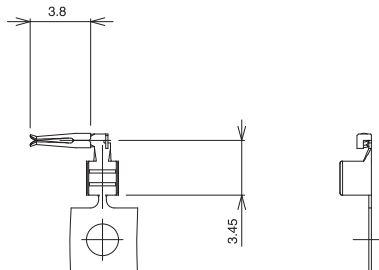
Jun. 1. 2024 Copyright 2024 HIROSE ELECTRIC CO., LTD. All Rights Reserved.

■ Cover for F Connector



Part No.	HRS No.	Material	Color	Sales unit	RoHS
GT36-4/1S-CV-A	786-0070-0	PBT	Dark gray	1	○

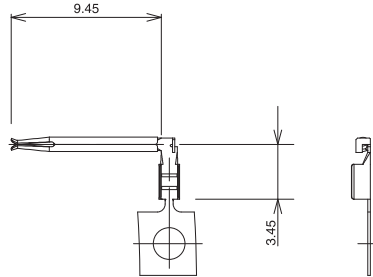
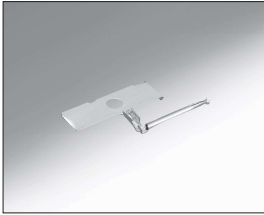
■ Center Terminal for F Connector (Short)



Part No.	HRS No.	Material / Finish or color	Applicable wire	Sales unit	RoHS
GT36A-2022SCF	786-0028-3	Center terminal : Phosphor bronze /Tin plating	2.5D-2V	12,000 pcs/reel	○
GT36-2428SCF	786-0001-7		1.5D-2V	13,000 pcs/reel	

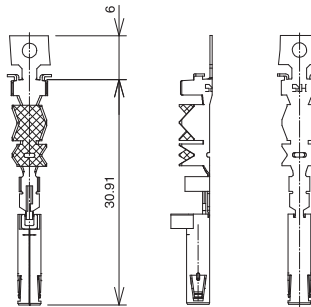
GT5
 GT13
 GT16
 GT19
 GT22
 GT25
 GT28
 GT31
 GT33
 GT36
 GT39
 GT42
 GT45
 GT48
 GT51
 GT54
 GT57
 GT60
 GT63
 GT66
 GT69
 GT72
 GT75
 GT78
 GT81
 GT84
 GT87
 GT90
 GT93
 GT96
 GT99
 GH02
 GH05
 GH08
 GH11
 GH14
 GH17
 GH20
 GH23
 GH26
 GH29
 GH32
 GH35
 GH38
 GH41
 GH44
 GH47
 GH50
 GH53
 GH56
 GH59
 GH62
 GH65
 GH68
 GH71
 GH74
 GH77
 GH80
 GH83
 GH86
 GH89
 GH92
 GH95
 GH98
 GH101
 GH104
 GH107
 GH110
 GH113
 GH116
 GH119
 GH122
 GH125
 GH128
 GH131
 GH134
 GH137
 GH140
 GH143
 GH146
 GH149
 GH152
 GH155
 GH158
 GH161
 GH164
 GH167
 GH170
 GH173
 GH176
 GH179
 GH182
 GH185
 GH188
 GH191
 GH194
 GH197
 GH200
 GH203
 GH206
 GH209
 GH212
 GH215
 GH218
 GH221
 GH224
 GH227
 GH230
 GH233
 GH236
 GH239
 GH242
 GH245
 GH248
 GH251
 GH254
 GH257
 GH260
 GH263
 GH266
 GH269
 GH272
 GH275
 GH278
 GH281
 GH284
 GH287
 GH290
 GH293
 GH296
 GH299
 GH302
 GH305
 GH308
 GH311
 GH314
 GH317
 GH320
 GH323
 GH326
 GH329
 GH332
 GH335
 GH338
 GH341
 GH344
 GH347
 GH350
 GH353
 GH356
 GH359
 GH362
 GH365
 GH368
 GH371
 GH374
 GH377
 GH380
 GH383
 GH386
 GH389
 GH392
 GH395
 GH398
 GH401
 GH404
 GH407
 GH410
 GH413
 GH416
 GH419
 GH422
 GH425
 GH428
 GH431
 GH434
 GH437
 GH440
 GH443
 GH446
 GH449
 GH452
 GH455
 GH458
 GH461
 GH464
 GH467
 GH470
 GH473
 GH476
 GH479
 GH482
 GH485
 GH488
 GH491
 GH494
 GH497
 GH500
 GH503
 GH506
 GH509
 GH512
 GH515
 GH518
 GH521
 GH524
 GH527
 GH530
 GH533
 GH536
 GH539
 GH542
 GH545
 GH548
 GH551
 GH554
 GH557
 GH560
 GH563
 GH566
 GH569
 GH572
 GH575
 GH578
 GH581
 GH584
 GH587
 GH590
 GH593
 GH596
 GH599
 GH602
 GH605
 GH608
 GH611
 GH614
 GH617
 GH620
 GH623
 GH626
 GH629
 GH632
 GH635
 GH638
 GH641
 GH644
 GH647
 GH650
 GH653
 GH656
 GH659
 GH662
 GH665
 GH668
 GH671
 GH674
 GH677
 GH680
 GH683
 GH686
 GH689
 GH692
 GH695
 GH698
 GH701
 GH704
 GH707
 GH710
 GH713
 GH716
 GH719
 GH722
 GH725
 GH728
 GH731
 GH734
 GH737
 GH740
 GH743
 GH746
 GH749
 GH752
 GH755
 GH758
 GH761
 GH764
 GH767
 GH770
 GH773
 GH776
 GH779
 GH782
 GH785
 GH788
 GH791
 GH794
 GH797
 GH800
 GH803
 GH806
 GH809
 GH812
 GH815
 GH818
 GH821
 GH824
 GH827
 GH830
 GH833
 GH836
 GH839
 GH842
 GH845
 GH848
 GH851
 GH854
 GH857
 GH860
 GH863
 GH866
 GH869
 GH872
 GH875
 GH878
 GH881
 GH884
 GH887
 GH890
 GH893
 GH896
 GH899
 GH902
 GH905
 GH908
 GH911
 GH914
 GH917
 GH920
 GH923
 GH926
 GH929
 GH932
 GH935
 GH938
 GH941
 GH944
 GH947
 GH950
 GH953
 GH956
 GH959
 GH962
 GH965
 GH968
 GH971
 GH974
 GH977
 GH980
 GH983
 GH986
 GH989
 GH992
 GH995
 GH998
 GH1001
 GH1004
 GH1007
 GH1010
 GH1013
 GH1016
 GH1019
 GH1022
 GH1025
 GH1028
 GH1031
 GH1034
 GH1037
 GH1040
 GH1043
 GH1046
 GH1049
 GH1052
 GH1055
 GH1058
 GH1061
 GH1064
 GH1067
 GH1070
 GH1073
 GH1076
 GH1079
 GH1082
 GH1085
 GH1088
 GH1091
 GH1094
 GH1097
 GH1100
 GH1103
 GH1106
 GH1109
 GH1112
 GH1115
 GH1118
 GH1121
 GH1124
 GH1127
 GH1130
 GH1133
 GH1136
 GH1139
 GH1142
 GH1145
 GH1148
 GH1151
 GH1154
 GH1157
 GH1160
 GH1163
 GH1166
 GH1169
 GH1172
 GH1175
 GH1178
 GH1181
 GH1184
 GH1187
 GH1190
 GH1193
 GH1196
 GH1199
 GH1202
 GH1205
 GH1208
 GH1211
 GH1214
 GH1217
 GH1220
 GH1223
 GH1226
 GH1229
 GH1232
 GH1235
 GH1238
 GH1241
 GH1244
 GH1247
 GH1250
 GH1253
 GH1256
 GH1259
 GH1262
 GH1265
 GH1268
 GH1271
 GH1274
 GH1277
 GH1280
 GH1283
 GH1286
 GH1289
 GH1292
 GH1295
 GH1298
 GH1301
 GH1304
 GH1307
 GH1310
 GH1313
 GH1316
 GH1319
 GH1322
 GH1325
 GH1328
 GH1331
 GH1334
 GH1337
 GH1340
 GH1343
 GH1346
 GH1349
 GH1352
 GH1355
 GH1358
 GH1361
 GH1364
 GH1367
 GH1370
 GH1373
 GH1376
 GH1379
 GH1382
 GH1385
 GH1388
 GH1391
 GH1394
 GH1397
 GH1400
 GH1403
 GH1406
 GH1409
 GH1412
 GH1415
 GH1418
 GH1421
 GH1424
 GH1427
 GH1430
 GH1433
 GH1436
 GH1439
 GH1442
 GH1445
 GH1448
 GH1451
 GH1454
 GH1457
 GH1460
 GH1463
 GH1466
 GH1469
 GH1472
 GH1475
 GH1478
 GH1481
 GH1484
 GH1487
 GH1490
 GH1493
 GH1496
 GH1499
 GH1502
 GH1505
 GH1508
 GH1511
 GH1514
 GH1517
 GH1520
 GH1523
 GH1526
 GH1529
 GH1532
 GH1535
 GH1538
 GH1541
 GH1544
 GH1547
 GH1550
 GH1553
 GH1556
 GH1559
 GH1562
 GH1565
 GH1568
 GH1571
 GH1574
 GH1577
 GH1580
 GH1583
 GH1586
 GH1589
 GH1592
 GH1595
 GH1598
 GH1601
 GH1604
 GH1607
 GH1610
 GH1613
 GH1616
 GH1619
 GH1622
 GH1625
 GH1628
 GH1631
 GH1634
 GH1637
 GH1640
 GH1643
 GH1646
 GH1649
 GH1652
 GH1655
 GH1658
 GH1661
 GH1664
 GH1667
 GH1670
 GH1673
 GH1676
 GH1679
 GH1682
 GH1685
 GH1688
 GH1691
 GH1694
 GH1697
 GH1700
 GH1703
 GH1706
 GH1709
 GH1712
 GH1715
 GH1718
 GH1721
 GH1724
 GH1727
 GH1730
 GH1733
 GH1736
 GH1739
 GH1742
 GH1745
 GH1748
 GH1751
 GH1754
 GH1757
 GH1760
 GH1763
 GH1766
 GH1769
 GH1772
 GH1775
 GH1778
 GH1781
 GH1784
 GH1787
 GH1790
 GH1793
 GH1796
 GH1799
 GH1802
 GH1805
 GH1808
 GH1811
 GH1814
 GH1817
 GH1820
 GH1823
 GH1826
 GH1829
 GH1832
 GH1835
 GH1838
 GH1841
 GH1844
 GH1847
 GH1850
 GH1853
 GH1856
 GH1859
 GH1862
 GH1865
 GH1868
 GH1871
 GH1874
 GH1877
 GH1880
 GH1883
 GH1886
 GH1889
 GH1892
 GH1895
 GH1898
 GH1901
 GH1904
 GH1907
 GH1910
 GH1913
 GH1916
 GH1919
 GH1922
 GH1925
 GH1928
 GH1931
 GH1934
 GH1937
 GH1940
 GH1943
 GH1946
 GH1949
 GH1952
 GH1955
 GH1958
 GH1961
 GH1964
 GH1967
 GH1970
 GH1973
 GH1976
 GH1979
 GH1982
 GH1985
 GH1988
 GH1991
 GH1994
 GH1997
 GH2000

Center Terminal for F Connector (Long)



Part No.	HRS No.	Material / Finish or color	Applicable wire	Sales unit	RoHS
GT36-2428SCF(A)	786-0010-8	Center terminal : Phosphor bronze /Tin plating	1.5D-2V	9,000 pcs/reel	○
GT36-30SCF(ID)(A)	786-0042-4		1.5C-2V (single wire)	12,000 pcs/reel	

Outer Terminal for F Connector (Long)

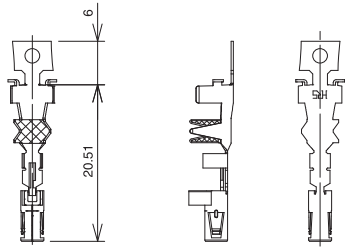
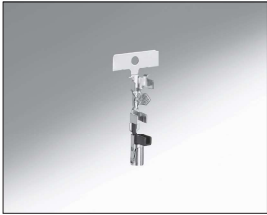


Part No.	HRS No.	Material / Finish or color	Applicable wire	Sales unit	RoHS
GT36-1.6-2.9SCF(A)-B	786-0114-0	Insulator : PBT/Dark gray Outer terminal : Brass/Tin plating	1.5D-2V	6,500 pcs/reel	○

GT5
GT13
GT16
GT19
GT21
GT36
GT43
GT17
GT32
GT25
KM37
ZE05
ZG05J2
HM-H200
ZE64W
H202L
FX26
DF40
DF40GL
FH28K
FH2K
FH5
FH40
FH63
FH67

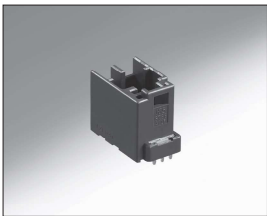
Jun. 1. 2024 Copyright 2024 HIROSE ELECTRIC CO., LTD. All Rights Reserved.

Outer Terminal for F Connector (Short)

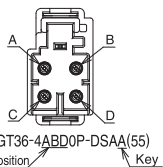
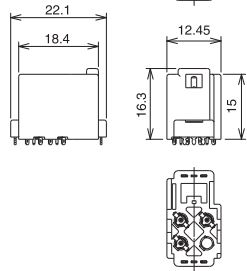
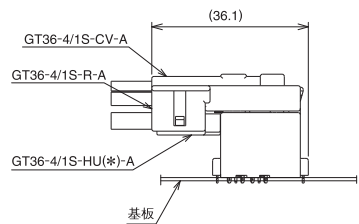


Part No.	HRS No.	Material / Finish or color	Applicable wire	Sales unit	RoHS
GT36-3.3-3.8SCF	786-0005-8	Insulator : PBT/Dark gray Outer terminal : Brass/Tin plating	2.5D-2V	5,000 pcs/reel	○
GT36-1.6-2.9SCF	786-0003-2		1.5D-2V	3,000 pcs/reel	

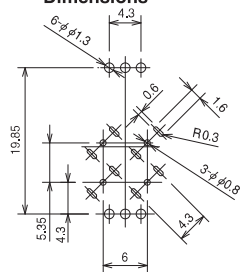
Board Connector (4 Coaxial)



◆ Mated connector



◆ Recommended Board Dimensions



Part No.	HRS No.	Material	Color	Sales unit	RoHS
GT36-4ABD0P-DSAA(55)	786-0011-0 55	PA	Brown	200 pcs/reel	○
GT36-4A0P-DSAC(55)	786-0012-3 55		Blue		
GT36-4D0P-DSAC(55)	786-0013-6 55		Green		
GT36-4BD0P-DSAB(55)	786-0014-9 55				

*Applicable board thickness: T = 0.8 mm.

◆ Crimping Tools

Please ask your Hirose Electric account representative for a user manual.

Automatic Crimping Machine



Photo for reference only.
Subject to change.

Specifications

Item	Specifications	Remarks
Press capacity	1,5tons	
Stroke length	30mm	
Number of strokes	200spm (50Hz)	200spm (60Hz)
Weight	75kg	
Motor	0.2kW	AC100V
Crimping speed	2,000~4,000/H	

Part No. CM-105C

*Terminal crimp height setting tables are available for each cable type.

Please contact your nearest Hirose Electric account representative.

*Applicator required for each cable.

Applicator (for Mounting to Automatic Crimping Machines)

Contact Product No.	Contact HRS No.	Tool No.	Tool HRS No.
GT36A-2022SCF	786-0028-3	AP105-GT36A-2022S	901-5220-4
GT36-2428SCF	786-0001-7	AP105-GT36-2428S	901-5222-0
GT36-2428SCF(A)	786-0010-8	AP105-GT36-2428S(A)	901-5212-6
GT36-30SCF(ID)(A)	786-0042-4	AP105-GT36-30SI(A)	901-5225-8
GT36-3,3~3,8SCF	786-0005-8	GT36-3338S/CK-AD	902-5113-0
GT36-1,6~2,9SCF	786-0003-2	GT36-1629S/CK-AD	902-5116-9
GT36-1,6~2,9SCF(A)	786-0004-5	GT36-1629S(A)/CK-AD	902-5112-8

Please refer to our cable termination procedure manual for performing terminations.