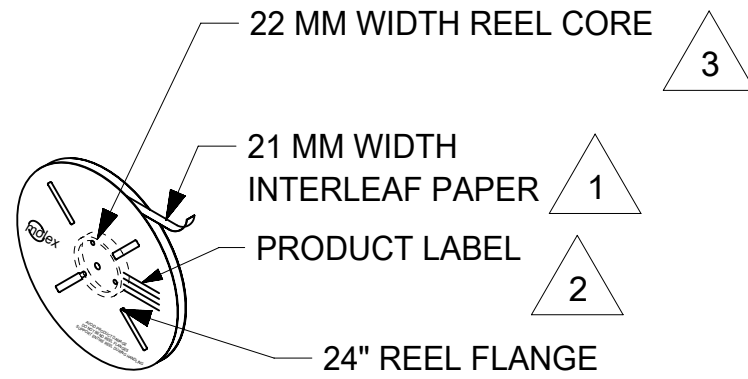


REELS PER CARTON	PACKAGING STYLE	PACKAGING MATERIAL NUMBER $\triangle 5$
4	REEL CARTON	885961370

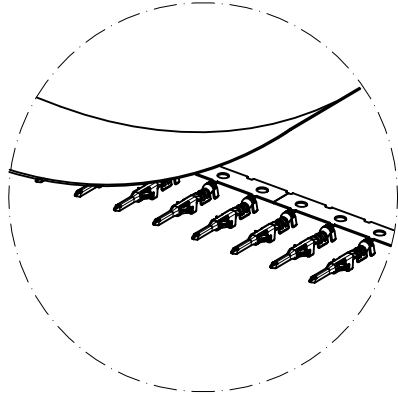
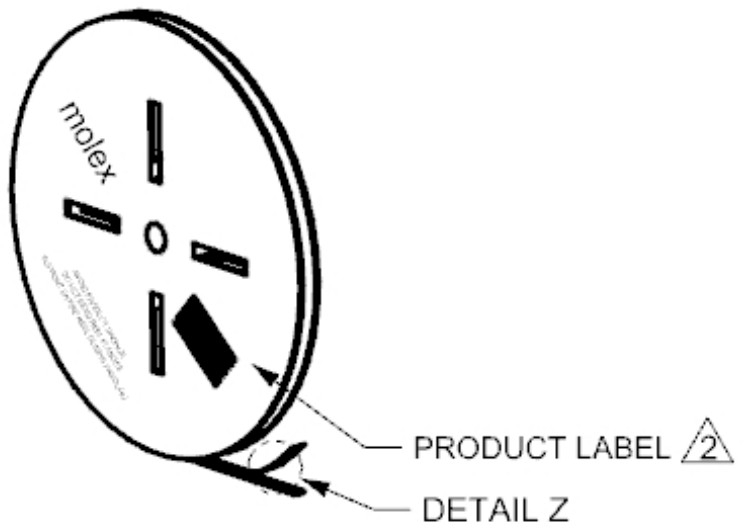
REEL COMPONENT	PACKAGING MATERIAL NUMBER $\triangle 5$	QUANTITY
REEL CORE $\triangle 3$	30907-6481	1
REEL FLANGE	085-06-5024	2
INTERLEAF PAPER	885961467	SEE NOTE 1



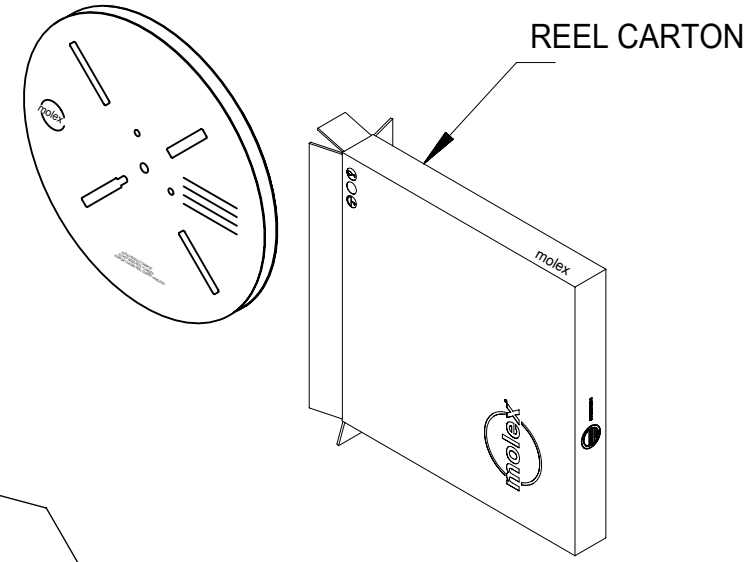
REEL ASSEMBLY
ALL DIMENSION REFERENCE

MATERIAL NUMBER	TERMINALS PER REEL	SPQ
2159530011	12000	48000
2159530021	12000	48000
2159530031	12000	48000
2159530041	10000	40000
2159530012	12000	48000
2159530022	12000	48000
2159530032	12000	48000
2159530042	10000	40000
2159530013	12000	48000
2159530023	12000	48000
2159530033	12000	48000
2159530043	10000	40000

TERMINALS SHOWN WITH BARREL/CRIMPS FACING DOWN



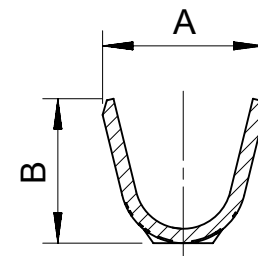
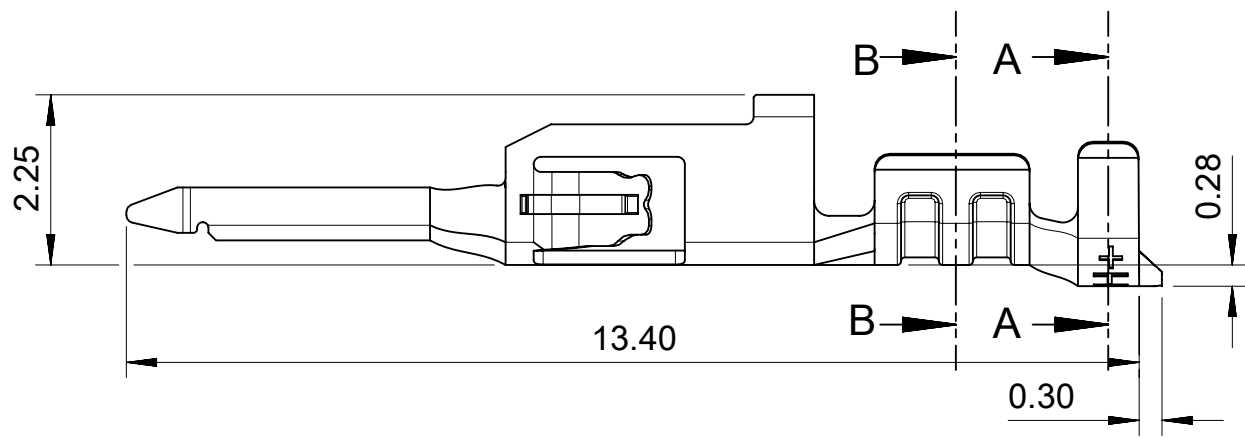
DETAIL Z
TERMINAL ORIENTATION



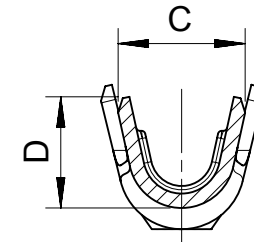
REEL CARTON

- NOTES:
- INTERLEAF PAPER SHOULD BE USED FOR THE ENTIRE REEL. (REF. ES-40000-7005)
 - PRODUCT LABEL TO BE ATTACHED AT THIS APPROXIMATE LOCATION. (REF. ES-40000-7012)
 - REEL CORE IS CUT TO WIDTH AS INDICATED.
 - REELS ARE SHIPPED IN PACKAGING THAT MATCHES PRESCRIBED ORDER QUANTITIES.
 - PREFERRED PACKAGING COMPONENT MATERIAL NUMBERS. ENGINEERING APPROVED EQUIVALENTS MAY BE SUBSTITUTED AS REQUIRED.

FUNCTIONAL SYMBOLS $\nabla A = 0$ $\nabla E = 0$ $\nabla F = 0$	THIS DRAWING CONTAINS INFORMATION THAT IS PROPRIETARY TO MOLEX ELECTRONIC TECHNOLOGIES, LLC AND SHOULD NOT BE USED WITHOUT WRITTEN PERMISSION	CURRENT REV DESC:		molex			
	DIMENSION UNITS: mm	SCALE: 1:1	GENERAL TOLERANCES (UNLESS SPECIFIED)				PACKAGING DRAWING OF MICRO-FIT WTW TML
DIVISIONAL SYMBOLS	ANGULAR TOL \pm °	4 PLACES \pm	EC NO: 683725	PRODUCT CUSTOMER DRAWING			
	3 PLACES ± 0.1	2 PLACES ± 0.3	DRWN: GLLI 2021/10/28	DOCUMENT NUMBER: 2159530000-PK			
	1 PLACE ± 0.5	0 PLACES \pm	APPR: XQZHANG 2021/11/15	DOC TYPE: PSD			
	INITIAL REVISION:		DRWN: GLLI 2021/10/28	DOC PART: 000			
	APPR: XQZHANG 2021/11/15		DRWN: GLLI 2021/10/28	REVISION: A			
DRAFT WHERE APPLICABLE MUST REMAIN WITHIN DIMENSIONS		THIRD ANGLE PROJECTION	DRAWING: A3-SIZE	SERIES: 215953	MATERIAL NUMBER	CUSTOMER	SHEET NUMBER: 1 OF 1

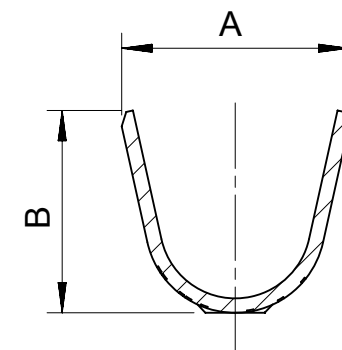
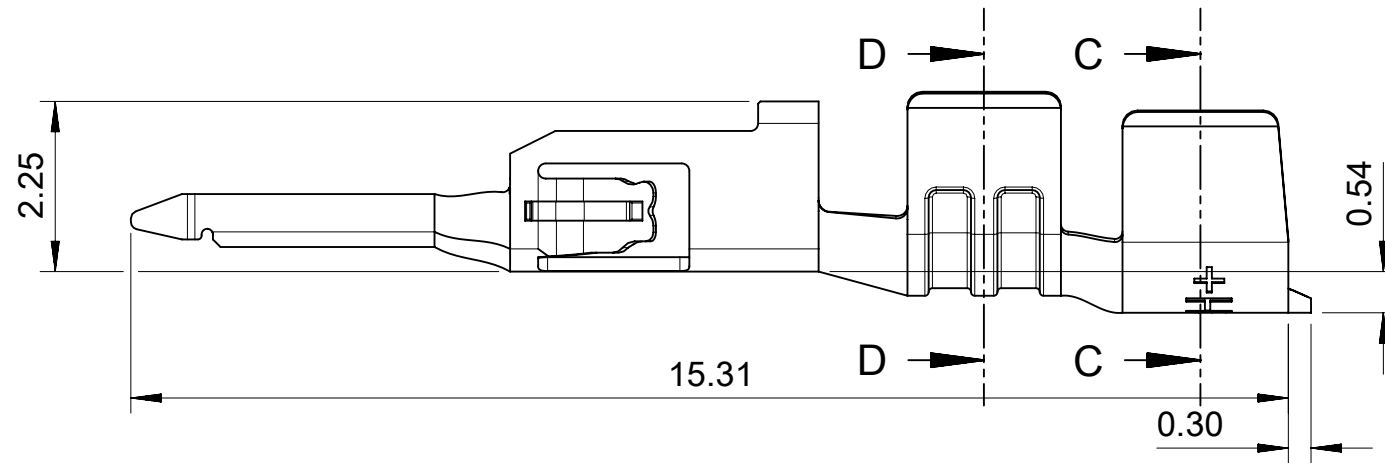


SECTION A-A

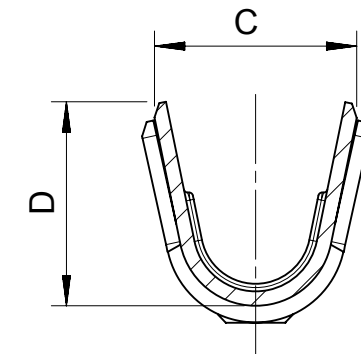


SECTION B-B

OLNY FOR AWG 18~30



SECTION C-C

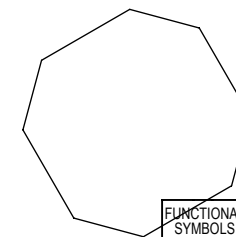


SECTION D-D

OLNY FOR AWG 16

NOTES:

1. MATERIAL: HIGH CONDUCTIVITY COPPER ALLOY.
2. PLATING FINISH SEE CHART IN SHEET 3.
3. PRODUCT SPECIFICATION: 2159530000-PS.
4. PACKAGE SPECIFICATION: 2159530000-PK.
5. PLATING SPEC SEE CHART IN SHEET 3.
7. THIS PART TO BE USED WITH MOLEX PLUG 215922-****
8. PARTS CONFORM TO CLASS 'B' REQUIREMENTS OF COSMETIC SPECIFICATION PS-45499-002.



FUNCTIONAL SYMBOLS	THIS DRAWING CONTAINS INFORMATION THAT IS PROPRIETARY TO MOLEX ELECTRONIC TECHNOLOGIES, LLC AND SHOULD NOT BE USED WITHOUT WRITTEN PERMISSION		CURRENT REV DESC:		molex
	GENERAL TOLERANCES (UNLESS SPECIFIED)	ANGULAR TOL	EC NO: 683725	2021/10/27	
DIVISIONAL SYMBOLS	3 PLACES	± 0.1	DRWN: GLLI	2021/11/15	PRODUCT CUSTOMER DRAWING
	2 PLACES	± 0.2	CHK'D: XQZHANG	2021/11/15	
	1 PLACE	± 0.3	APPR: XQZHANG		
	0 PLACES	±	INITIAL REVISION:	2021/02/01	
	DRAFT WHERE APPLICABLE MUST REMAIN WITHIN DIMENSIONS		THIRD ANGLE PROJECTION	DRAWING: A3-SIZE	SERIES: 215953
RELEASE STATUS: P1		RELEASE DATE: 2021/11/15	00:11:13	SHEET NUMBER: 1 OF 2	

F

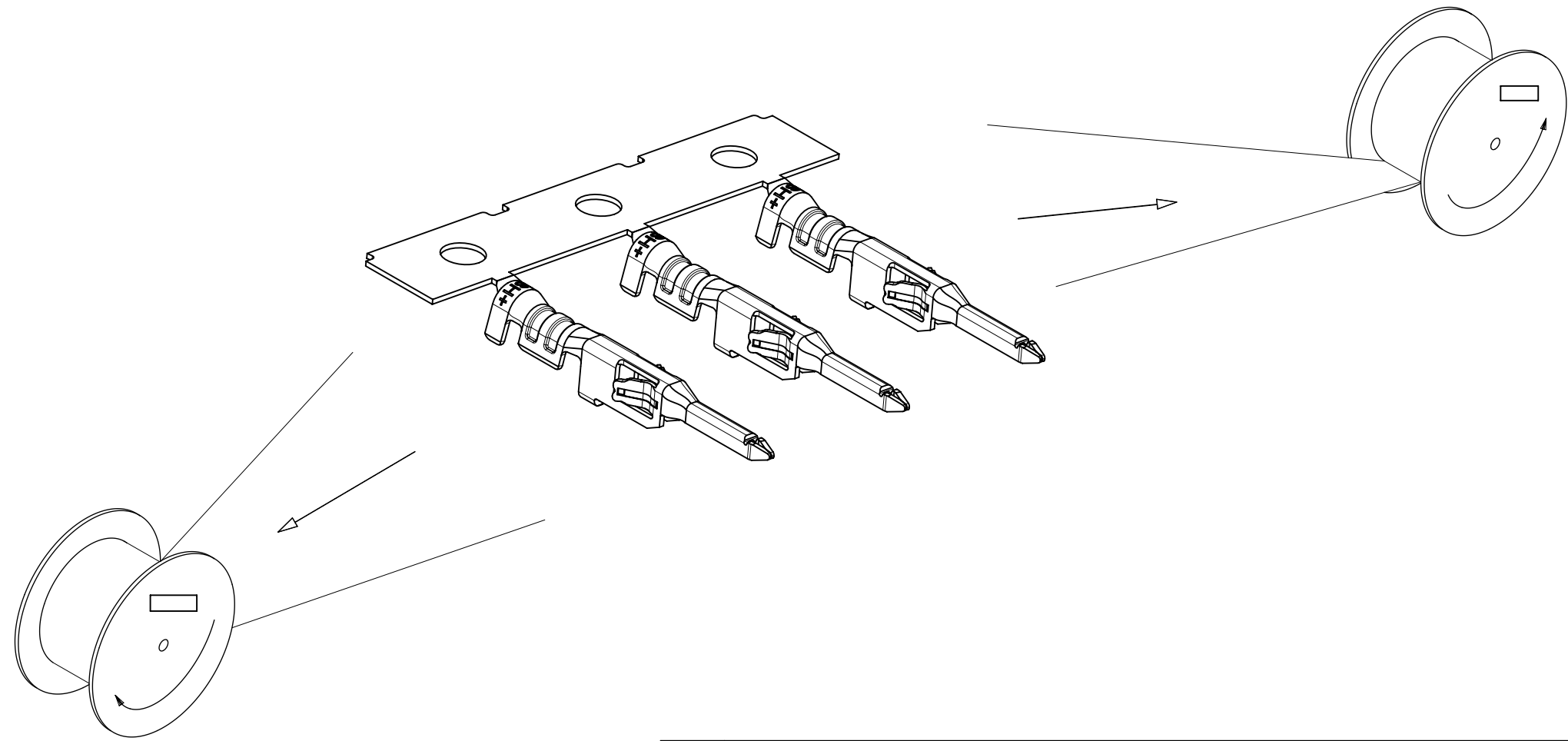
E

D

C

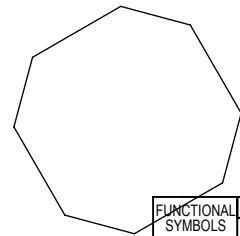
B

A



PLATING	
A	REFLOW MATTE TIN OVER ALL(1.5 MICRONS MINIMUM BEFORE REFLOW), UNDER NICKEL PLATING 1.25~2.5 MICRONS MINIMUM OVERALL.
B	GOLD PLATING 0.38 MICRONS MINIMUM ON CONTACT AREA, MATTE TIN PLATING 2.5 MICRONS MINIMUM ON CRIMP AREA, UNDER NICKEL PLATING 1.25~2.5 MICRONS MINIMUM OVERALL.
C	GOLD PLATING 0.76 MICRONS MINIMUM ON CONTACT AREA, MATTE TIN PLATING 2.5 MICRONS MINIMUM ON CRIMP AREA, UNDER NICKEL PLATING 1.25~2.5 MICRONS MINIMUM OVERALL.

PART NUMBER	PLATING	WIRE SIZE	LUBE	DIMENSION			
				A	B	C	D
215953-0011	A	26-30 AWG	YES	2.10	1.91	1.65	1.47
215953-0021	A	20-24 AWG	YES	2.51	2.31	2.08	1.91
215953-0031	A	18 AWG	YES	2.51	2.31	2.39	2.18
215953-0041	A	16 AWG	YES	2.97	2.67	2.70	2.70
215953-0012	B	26-30 AWG	NO	2.10	1.91	1.65	1.47
215953-0022	B	20-24 AWG	NO	2.51	2.31	2.08	1.91
215953-0032	B	18 AWG	NO	2.51	2.31	2.39	2.18
215953-0042	B	16 AWG	NO	2.97	2.67	2.70	2.70
215953-0013	C	26-30 AWG	NO	2.10	1.91	1.65	1.47
215953-0023	C	20-24 AWG	NO	2.51	2.31	2.08	1.91
215953-0033	C	18 AWG	NO	2.51	2.31	2.39	2.18
215953-0043	C	16 AWG	NO	2.97	2.67	2.70	2.70



FUNCTIONAL SYMBOLS √A = 0 √E = 0 √F = 0	THIS DRAWING CONTAINS INFORMATION THAT IS PROPRIETARY TO MOLEX ELECTRONIC TECHNOLOGIES, LLC AND SHOULD NOT BE USED WITHOUT WRITTEN PERMISSION	SCALE 1:1	CURRENT REV DESC:		
	DIMENSION UNITS mm	GENERAL TOLERANCES (UNLESS SPECIFIED)			
DIVISIONAL SYMBOLS	ANGULAR TOL ± °	EC NO: 683725		2021/10/27	
	4 PLACES ±	DRWN: GLLI		2021/11/15	
3 PLACES ± 0.1	CHK'D: XQZHANG		2021/11/15		
2 PLACES ± 0.2	APPR: XQZHANG		2021/11/15		
1 PLACE ± 0.3	INITIAL REVISION:		DOCUMENT NUMBER		
0 PLACES ±	DRWN: GLLI		2021/02/01		
DRAFT WHERE APPLICABLE MUST REMAIN WITHIN DIMENSIONS		APPR: XQZHANG		2021/11/15	
THIRD ANGLE PROJECTION		DRAWING	SERIES	MATERIAL NUMBER	CUSTOMER
		A3-SIZE	215953	2159530000-SD	GENERAL MARKET
SALES DRAWING OF PLUG TERMINAL			DOC TYPE	DOC PART	REVISION
PRODUCT CUSTOMER DRAWING			PSD	000	A
SHEET NUMBER			2 OF 2		