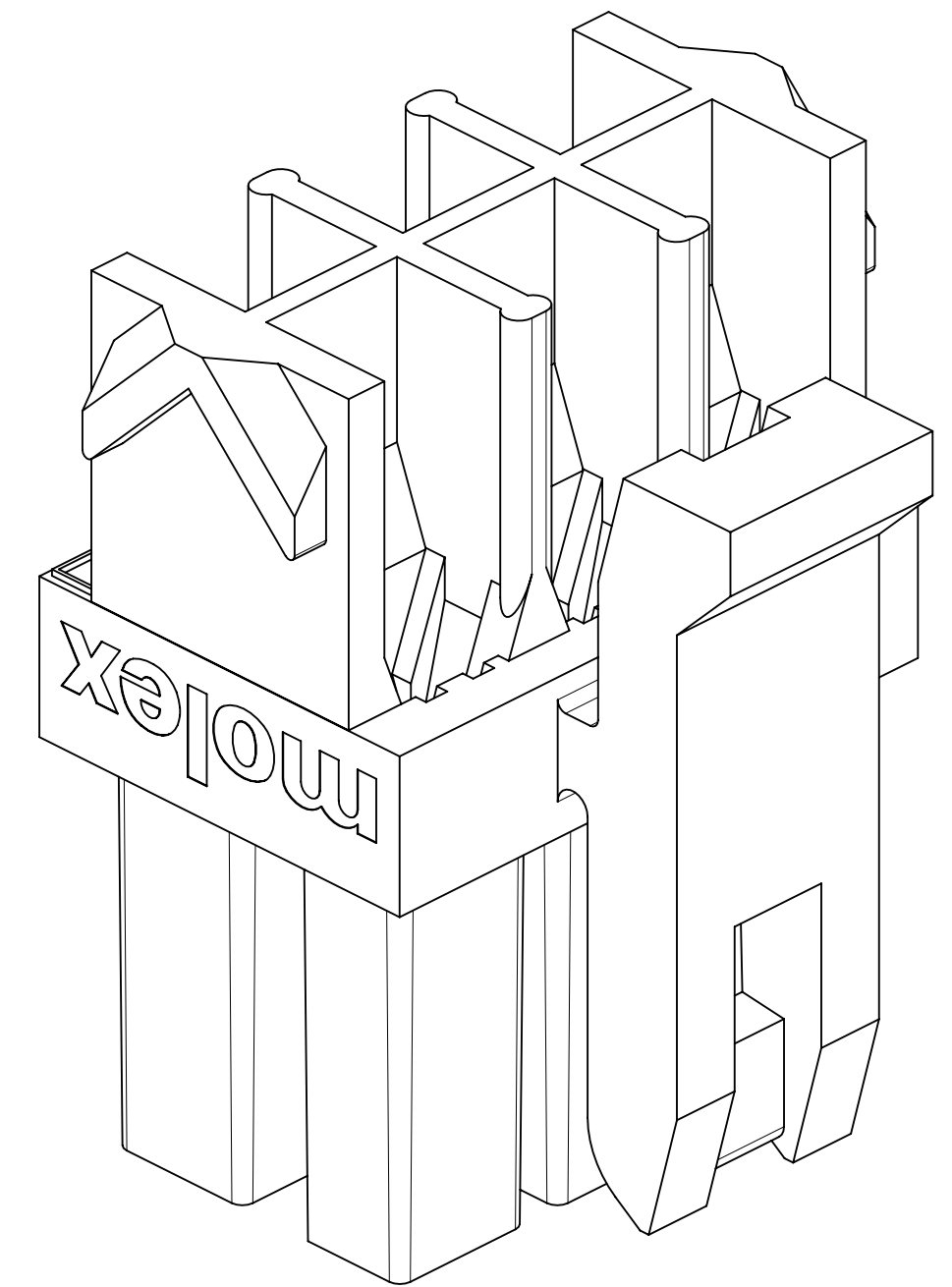


NOTES:

- 1) MATERIAL: UNFILLED NYLON, RATED UL94V-2, IEC60335-1 GLOW WIRE CAPABLE, COLOR: BLACK
- 2) FINISH: NONE
- 3) PRODUCT SPECIFICATION: PS-43045
- 4) PACKAGING SPECIFICATION: BULK PER 1729520001-PK
- 5) MATES WITH: MOLEX 43020 PLUGS, 203632 TPA PLUGS AND 43045 HEADERS
- 6) FOR USE WITH: 43030 AND 46235 (LOW FORCE) MOLEX FEMALE TERMINALS
- 7) HOUSING IS DESIGNED FOR USE WITH 172953-XX02 TPA. NEVER USE WITHOUT TPA.
- 8) THIS PART CONFORMS TO CLASS B REQUIREMENTS OF COSMETIC SPEC PS-45499-002
- 9) PARTS MAY HAVE A BLEMISH NEAR THE GATE THAT DOES NOT AFFECT FUNCTIONALITY
- 10) TERMINALS IN THE LOWER ROW ARE INSERTED 180° FROM THE UPPER ROW
- 11) SEE SECTION A-A FOR PROPER ORIENTATION
- 12) LAST CIRCUIT NUMBER OF THE CONNECTOR. NOT APPLICABLE TO 4 CIRCUIT.
- 13) REF 430250000-AS FOR OVERMOLDING PARAMETERS
- 14) TO BE MEASURED APPROXIMATELY 1.52/.060 FROM [E] SURFACE
- 15) TO BE MEASURED ON [C] SURFACE
- 16) MOLEX RECOMMENDS THE USE OF MICRO-FIT TEST PLUG SERIES 44242 FOR ALL TESTING. TEST PLUGS MUST NOT BE MATED OR UNMATED UNDER LOAD. DO NOT USE STANDARD MATING COMPONENTS FOR TEST PURPOSES.
- 17) TEXT ON PART IS FOR REFERENCE ONLY. TEXT AND TEXT LOCATION MAY VARY DEPENDING ON PART NUMBER AND/OR TOOL.
- 18) INTENDED FOR USE WITH 20-30 AWG WIRES ONLY



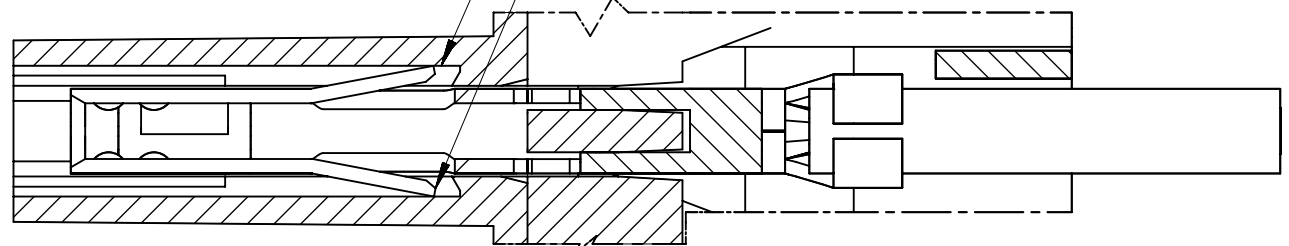
172952-0602 SHOWN

NEVER USE WITHOUT TPA.

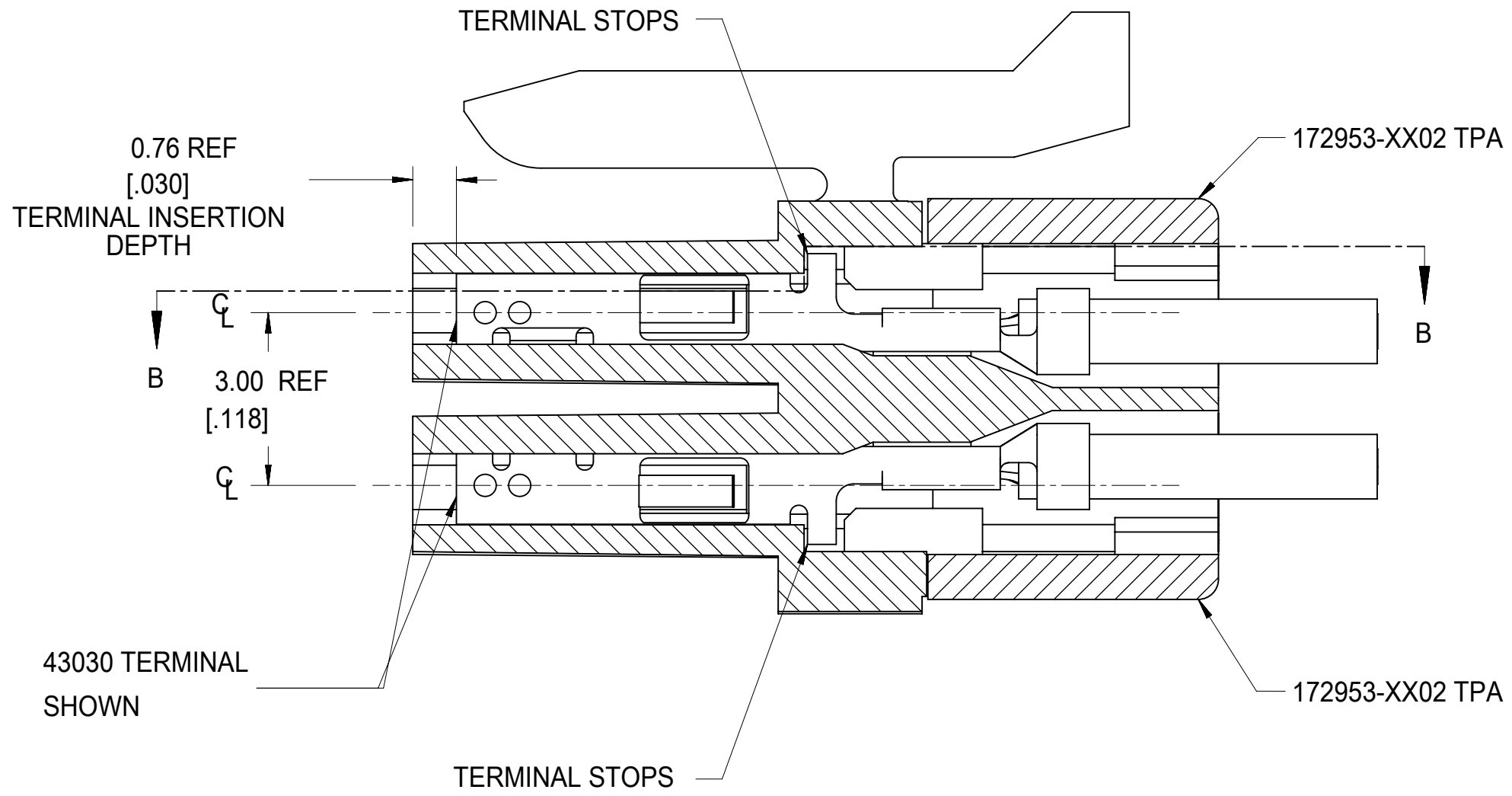
SCALE 10:1

FUNCTIONAL SYMBOLS	THIS DRAWING CONTAINS INFORMATION THAT IS PROPRIETARY TO MOLEX ELECTRONIC TECHNOLOGIES, LLC AND SHOULD NOT BE USED WITHOUT WRITTEN PERMISSION			
	DIMENSION UNITS	SCALE	CURRENT REV DESC: ADD NOTE 17	
$\frac{E}{A} = 0$	MM/INCH	5:1		
$\frac{E}{C} = 0$	GENERAL TOLERANCES (UNLESS SPECIFIED)			
$\frac{E}{P} = 0$		MM	INCH	
DIVISIONAL SYMBOLS	4 PLACES	±	±	EC NO: 723726
	3 PLACES	±	± 0.01	DRWN: MKIPPER 2022/02/25
	2 PLACES	± 0.25	± 0.015	CHK'D: MKIPPER 2022/10/12
	1 PLACE	± 0.38	±	APPR: FSMITH 2022/10/13
	0 PLACES	±	±	INITIAL REVISION:
	ANGULAR TOL	± 0.5°		DRWN: MCOLE 2016/02/23
	DRAFT WHERE APPLICABLE MUST REMAIN WITHIN DIMENSIONS	THIRD ANGLE PROJECTION	DRAWING	SERIES
			C-SIZE	172952
DOCUMENT STATUS		P1	RELEASE DATE	2022/10/13 13:32:56
DOCUMENT NUMBER		CUSTOMER		SHEET NUMBER
SD-172952-002		GENERAL MARKET		1 OF 3

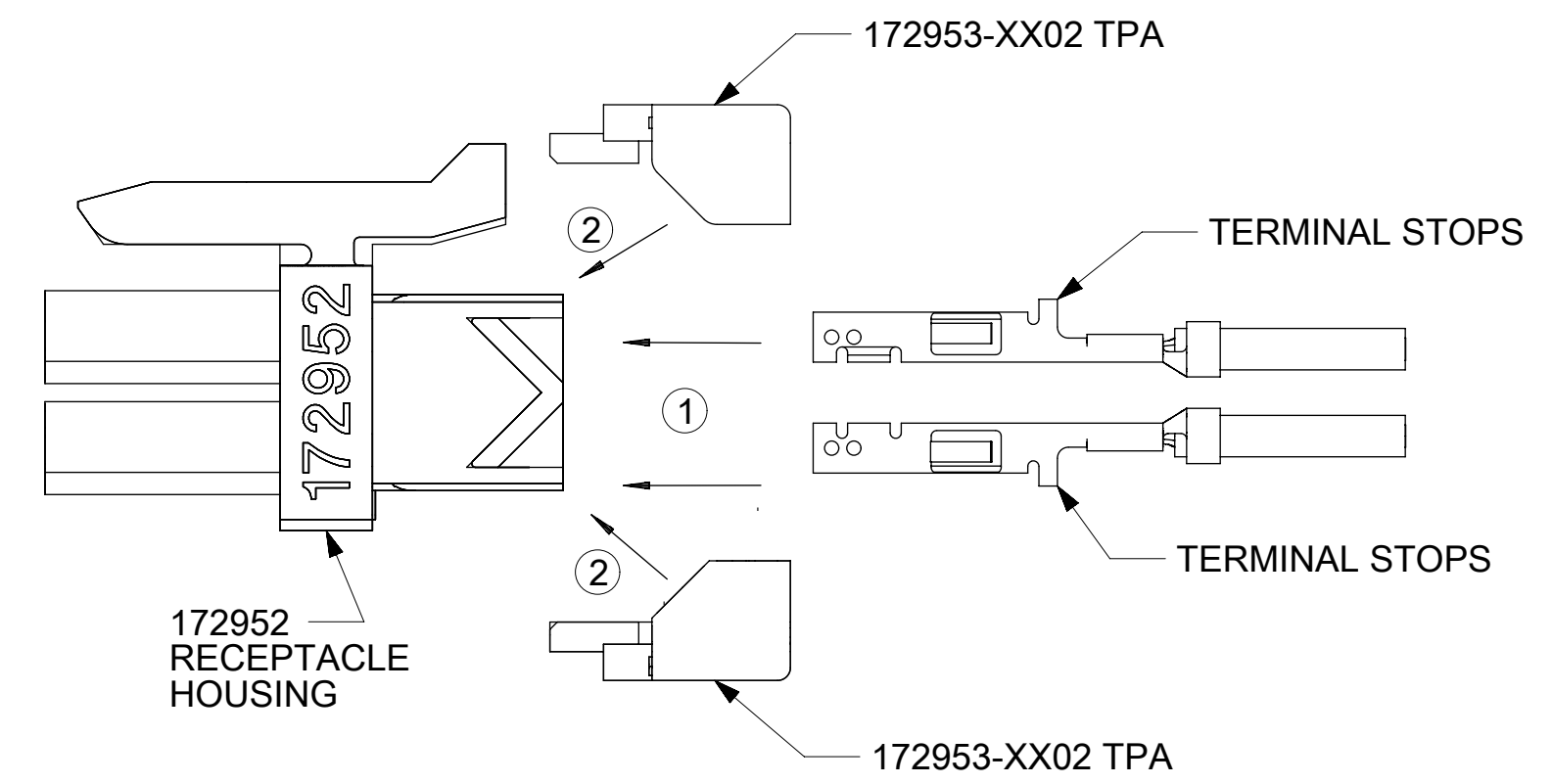
TERMINAL LOCKING TABS MUST BE FULLY SEATED TO HOUSING BEFORE MATING WITH OTHER HALF OF CONNECTOR SYSTEM



Partial B-B
SCALE 10:1



SECTION A-A
(WITH TERMINALS AND TPAs)
SCALE 10:1



TERMINAL AND TPA ORIENTATION AND ASSEMBLY NEVER USE WITHOUT TPA.

24	172952-2402	33.00 / 1.299	36.85 / 1.451
22	172952-2202	30.00 / 1.181	33.85 / 1.333
20	172952-2002	27.00 / 1.063	30.85 / 1.215
18	172952-1802	24.00 / .945	27.85 / 1.096
16	172952-1602	21.00 / .827	24.85 / .978
14	172952-1402	18.00 / .709	21.85 / .860
12	172952-1202	15.00 / .591	18.85 / .742
10	172952-1002	12.00 / .472	15.85 / .624
8	172952-0802	9.00 / .354	12.85 / .506
6	172952-0602	6.00 / .236	9.85 / .388
4	172952-0402	3.00 / .118	6.85 / .270
CKT SIZE	PART NUMBER	DIM A	DIM B

FUNCTIONAL SYMBOLS $F_A = 0$ $F_C = 0$ $F_P = 0$ DIVISIONAL SYMBOLS	THIS DRAWING CONTAINS INFORMATION THAT IS PROPRIETARY TO MOLEX ELECTRONIC TECHNOLOGIES, LLC AND SHOULD NOT BE USED WITHOUT WRITTEN PERMISSION		CURRENT REV DESC: ADD NOTE 17											
	DIMENSION UNITS	SCALE	GENERAL TOLERANCES (UNLESS SPECIFIED)											
	MM/INCH	5:1	MM	INCH										
	4 PLACES ±	±	3 PLACES ±	± 0.01										
		2 PLACES ±	± 0.015	1 PLACE ±	±	0 PLACES ±	±	ANGULAR TOL ± 0.5°	THIRD ANGLE PROJECTION	DRAWING	SERIES	MATERIAL NUMBER	CUSTOMER	SHEET NUMBER
										C-SIZE	172952	SEE CHART	GENERAL MARKET	2 OF 3

