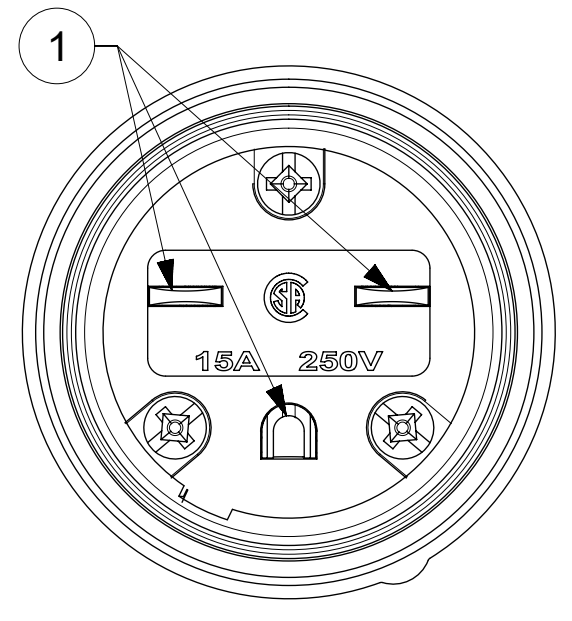
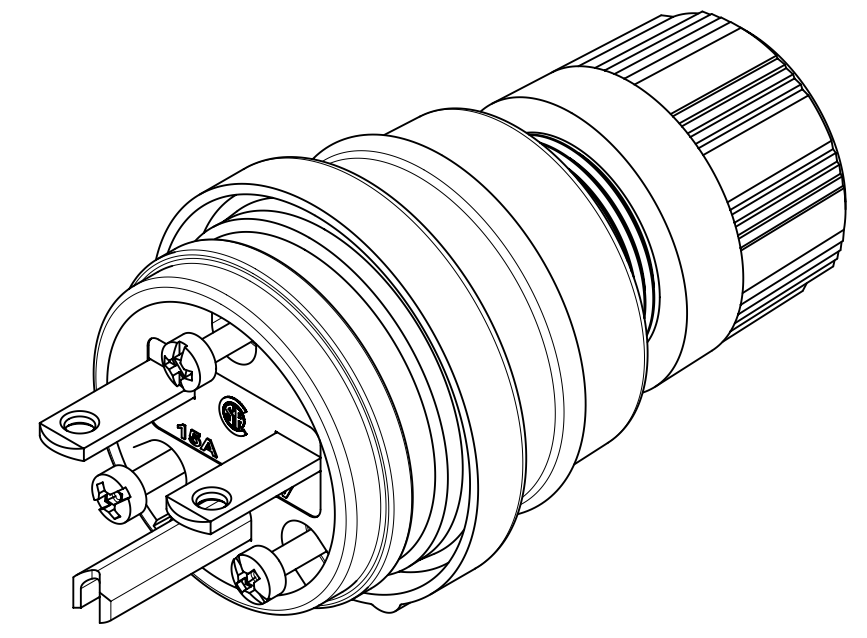
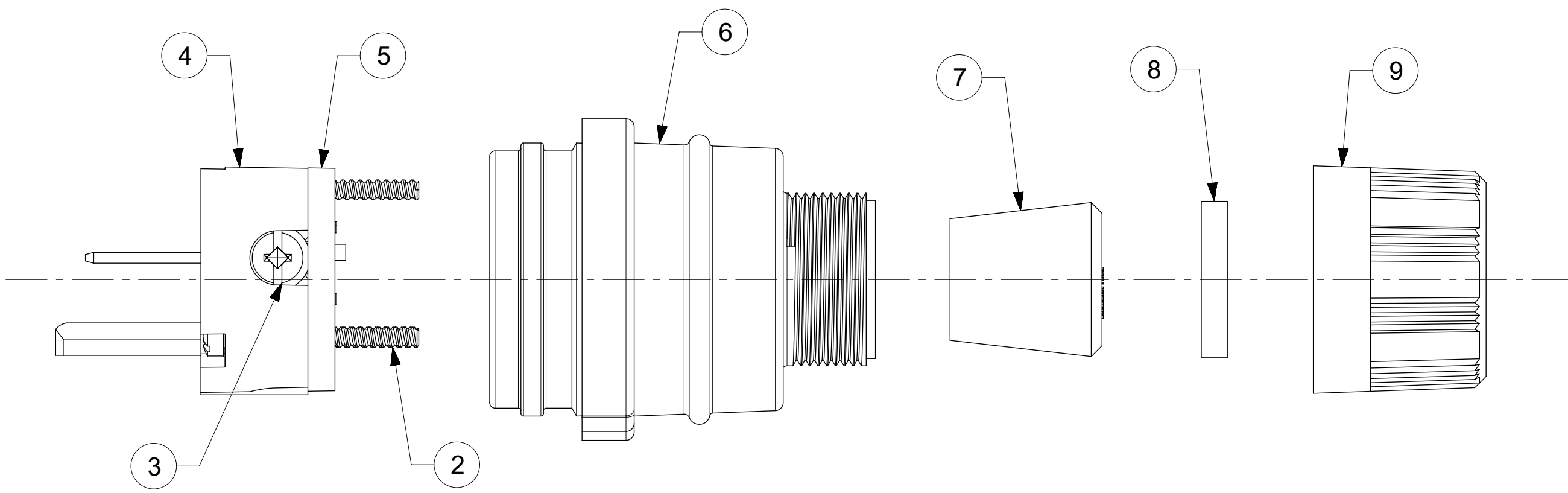
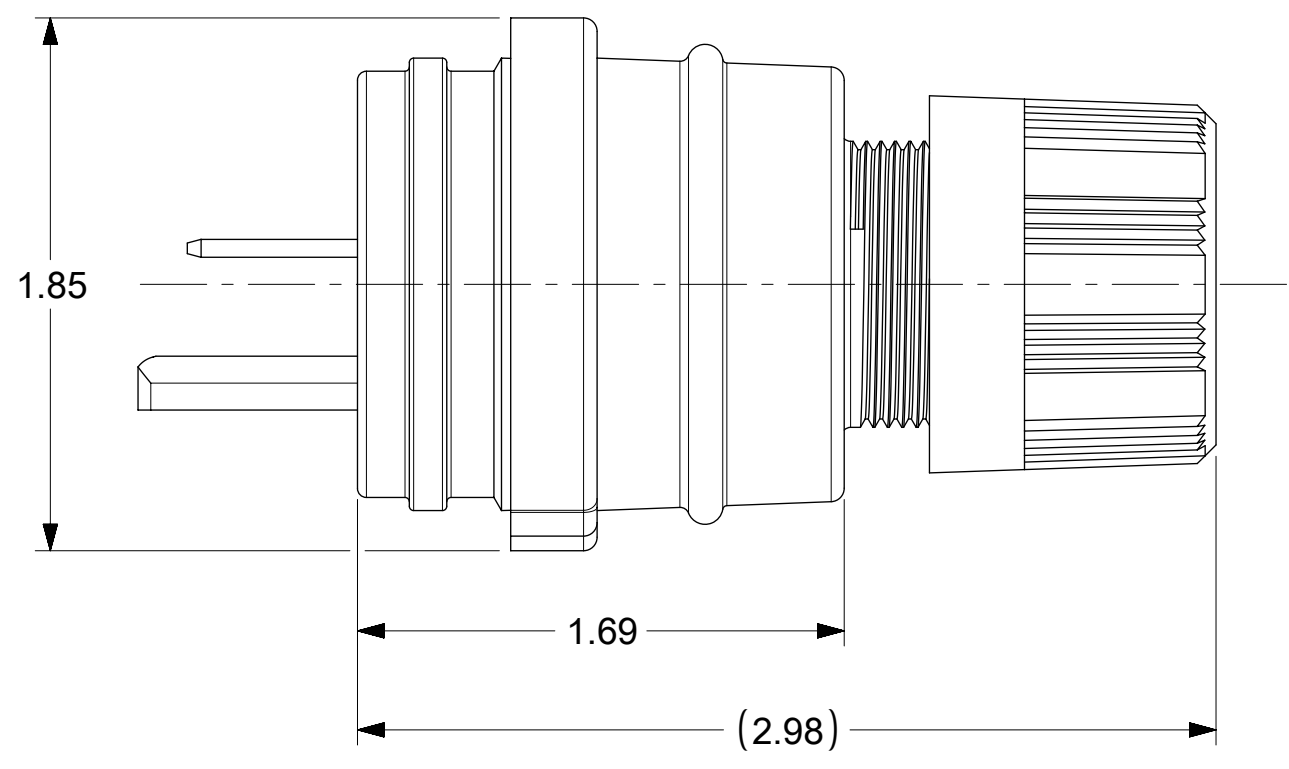


ORDER NO.	WOODHEAD NO.	COLOR
130146-0189	14W49-P	YELLOW
130146-0190	14W49BLK-P	BLACK



FACE VIEW



NOTES:

1. SEE INSTRUCTION SHEET NUMBER 1301414770 FOR PRODUCT SPECIFICATION.
2. CABLE RANGE FROM 0.375" TO 0.625"

ITEM NO.	DESCRIPTIONS	MATERIAL	QTY.
1	BLADES	BRASS	3
2	RETAINING SCREWS	STAINLESS STEEL	3
3	TERMINAL SCREWS	BRASS, ZINC PLATED	3
4	INSERT	NYLON	1
5	TERMINAL COVER	POLYCARBONATE	1
6	HOUSING	RUBBER WITH NYLON THREAD	1
7	GROMMETS	RUBBER	5
8	FRICTION RING	NYLON	1
9	COMPRESSION NUT	NYLON	1

SYMBOLS		THIS DRAWING CONTAINS INFORMATION THAT IS PROPRIETARY TO MOLEX ELECTRONIC TECHNOLOGIES, LLC AND SHOULD NOT BE USED WITHOUT WRITTEN PERMISSION		CURRENT REV DESC: RELEASED		molex	
▽ = 0	INCH	SCALE	NTS				
▽ = 0	GENERAL TOLERANCES (UNLESS SPECIFIED)		EC NO: 613681		2018/11/12		WATERTITE PLUG, 6-15P
▽ = 0	ANGULAR TOL ± 0.5°		DRWN: ABABU01		2019/03/13		
▽ = 0	4 PLACES ±		CHK'D: DNGUYEN62		2019/03/21		PRODUCT CUSTOMER DRAWING
▽ = 0	3 PLACES ± 0.005		APPR: HKNEELAND				
▽ = 0	2 PLACES ± 0.01		INITIAL REVISION:				DOCUMENT NUMBER
▽ = 0	1 PLACE ± 0.02		DRWN: ABABU01		2018/11/12		
▽ = 0	0 PLACES ±		APPR: HKNEELAND		2019/03/21		DOC TYPE
▽ = 0	DRAFT WHERE APPLICABLE MUST REMAIN WITHIN DIMENSIONS		THIRD ANGLE PROJECTION		DRAWING		
▽ = 0			C-SIZE		SERIES		DOC PART
				130146		REVISION	
DOCUMENT STATUS		P1	RELEASE DATE	2019/03/21	12:40:18		MATERIAL NUMBER
						1301460189	GENERAL MARKET
						PSD	000
							A
						SEE TABLE	1 OF 1