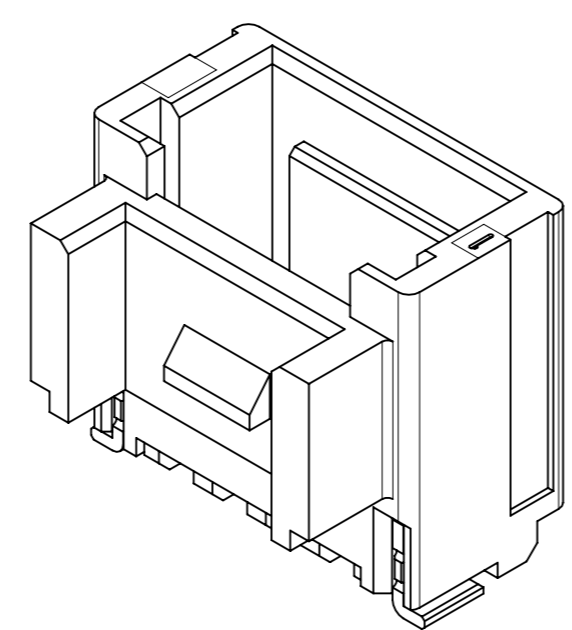


NOTES

- 1. 材料及び仕上げ(めっき仕様) : TABLE 1 参照  
MATERIAL AND FINISHES : SEE TABLE 1
- 2. 製品仕様書 : 5019400000 PS 000  
PRODUCT SPECIFICATION:
- 3. 梱包形態 : SEE SHEET 3  
PACKAGING INFORMATION:
- 4. 嵌合相手 : 501939 シリーズ  
MATES WITH:501939 SERIES
- 5. アプリケーション仕様書(コネクタ取扱い説明書) : 5013300000-AS A00(JAPANESE)/A01(ENGLISH)  
APPLICATION SPECIFICATION(CONNECTOR MANUAL):
- 6. ソルダーピン及びネイルの平坦度:0.1 MAX  
SOLDER PIN AND NAIL COPLANARITY: 0.1 MAX
- 7. 偶数極に適用  
APPLY FOR EVEN CIRCUIT
- 8. その他金めっき厚品及び錫めっき品は以下の図面を御参照下さい。  
PLEASE REFER TO THE FOLLOWING DRAWING FOR OTHER GOLD PLATING VERSION AND TIN PLATING VERSION.

PLATING	PLATING THICKNESS [micro-meter MIN]	SERIES No	DRAWING No
TIN	1.0	501940 **07	5019400000-SD PSD 000
GOLD	0.38	203560 **03	2035600000-SD PSD 000
	0.76	203561 **03	2035610000-SD PSD 000

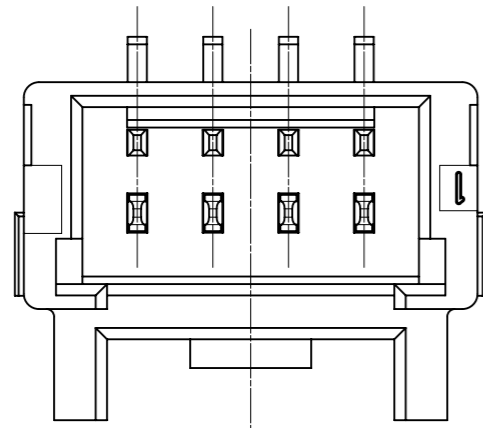
番号 NO	部品 PART	材質 MATERIAL	
1	ウエハー WAFER	ポリアミド(PA), UL94V-0, 色 : SEE SHEET 5 POLYAMIDE(PA), UL94V-0, COLOR : SEE SHEET 5	
2	ソルダーピン SOLDER PIN	リン青銅 PHOSPHOR BRONZE	
		接点部 CONTACT AREA	金めっき : 0.1 MICRO-METER MIN GOLD PLATING
		テール部 TAIL AREA	金めっき : 0.1 MICRO-METER MIN GOLD PLATING
3	ネイル NAIL	下地めっき UNDER PLATING	ニッケルめっき : 1.0 MICRO-METER MIN NICKEL
		リン青銅 PHOSPHOR BRONZE	
		テール部 TAIL AREA	錫めっき : 1.0 MICRO-METER MIN MATTE TIN PLATING
4	カバーテープ COVER TAPE	下地めっき UNDER PLATING	ニッケルめっき : 1.0 MICRO-METER MIN NICKEL
		ポリイミドテープ POLYIMIDE TAPE	



5.2	6.5	4.0	7.0	5
	5.5	3.0	6.0	4
4.2	4.5	2.0	5.0	3
D	C	B	A	極数 CIRCUIT SIZE

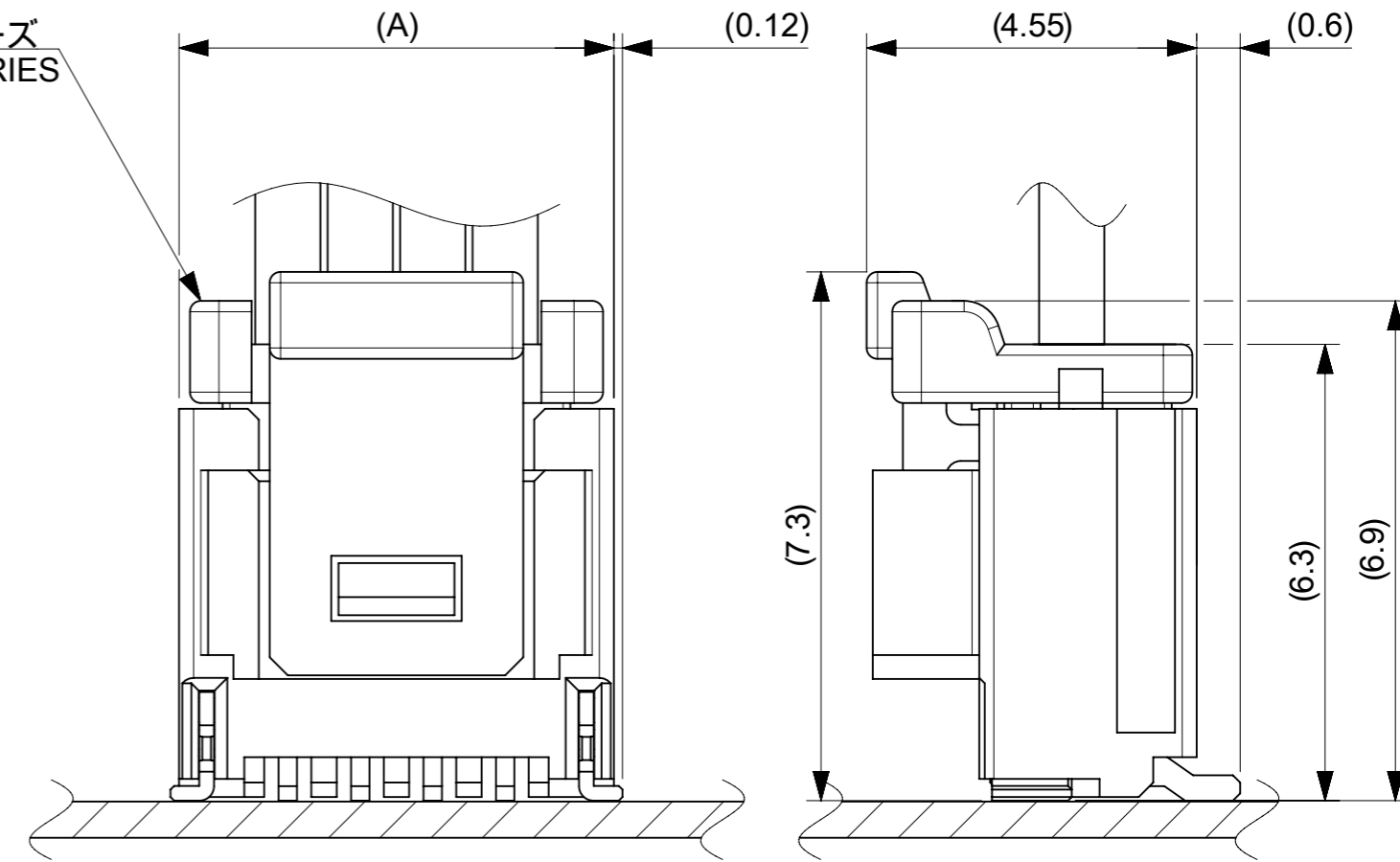
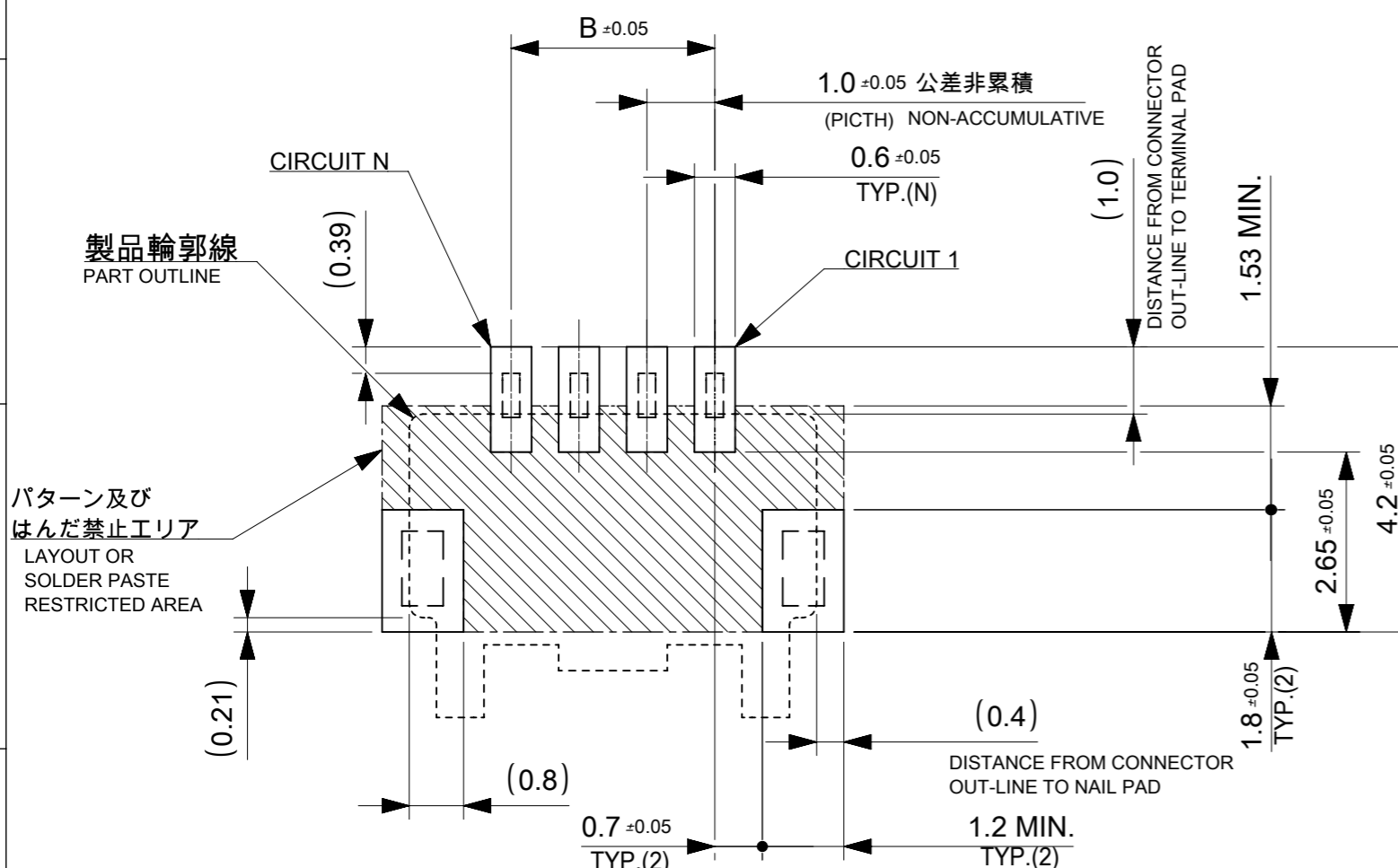
THIS DRAWING CONTAINS INFORMATION THAT IS PROPRIETARY TO MOLEX ELECTRONIC TECHNOLOGIES, LLC AND SHOULD NOT BE USED WITHOUT WRITTEN PERMISSION

DIMENSION UNITS	SCALE	CURRENT REV DESC:	<b>molex</b>		
mm	NTS				
GENERAL TOLERANCES (UNLESS SPECIFIED)			PICO-CLASP 1.0 W/B SINGLE ROW VT SMT OUTER LOCK GOLD PLATING 0.1 MICRO-METER		
ANGULAR TOL	± 3.0 °	EC NO: 635683	PRODUCT CUSTOMER DRAWING		
4 PLACES	± 0.2	DRWN: MIKEDA01 2020/05/12	DOCUMENT NUMBER		
3 PLACES	± 0.2	CHK'D: SAKIYAMA 2020/05/13	DOC TYPE DOC PART REVISION		
2 PLACES	± 0.2	APPR: KOMURAKAMI 2020/05/14	5019400001-SD PSD 000 B		
1 PLACE	± 0.2	INITIAL REVISION:	MATERIAL NUMBER		
0 PLACES	± 0.2	DRWN: AISHIKAWA 2019/04/01	CUSTOMER		
DRAFT WHERE APPLICABLE MUST REMAIN WITHIN DIMENSIONS			SEE SHEET5 GENERAL		
THIRD ANGLE PROJECTION			SHEET NUMBER		
DRAWING SERIES			1 OF 5		
A3-SIZE 501940					



製品レイアウト  
PRODUCT LAYOUT


△ 4 嵌合相手 : 501939 シリーズ  
MATE WITH : 501939 SERIES



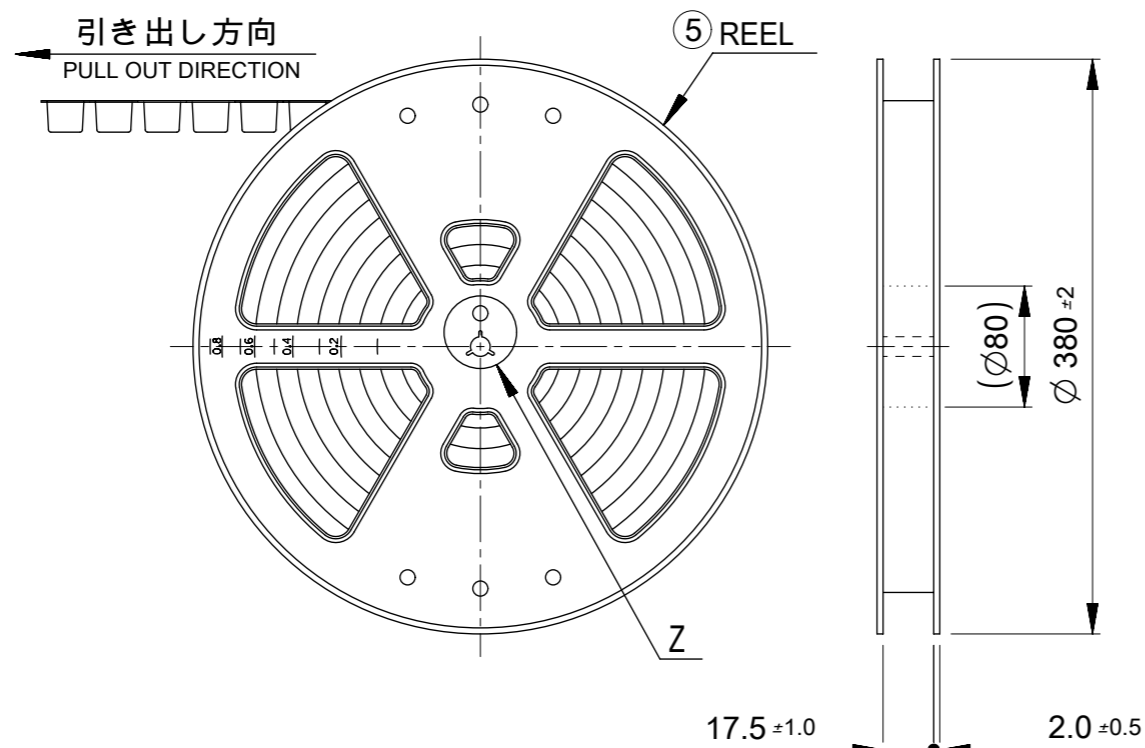
嵌合図  
MATED CONNECTORS

推奨基板レイアウト(全極数適用) : 実装面側  
(参考 : 基板厚 1.0mm, メタルマスク厚さ 0.12mm, マスク開口率100%)

POLARIZED RECOMMENDED PCB LAYOUT(APPLY TO ALL CIRCUIT) : COMPONENT SIDE  
(REFERENCE: PCB THICKNESS 1.0mm, STENCIL THICKNESS 0.12mm, APERTURE RATIO 100%)

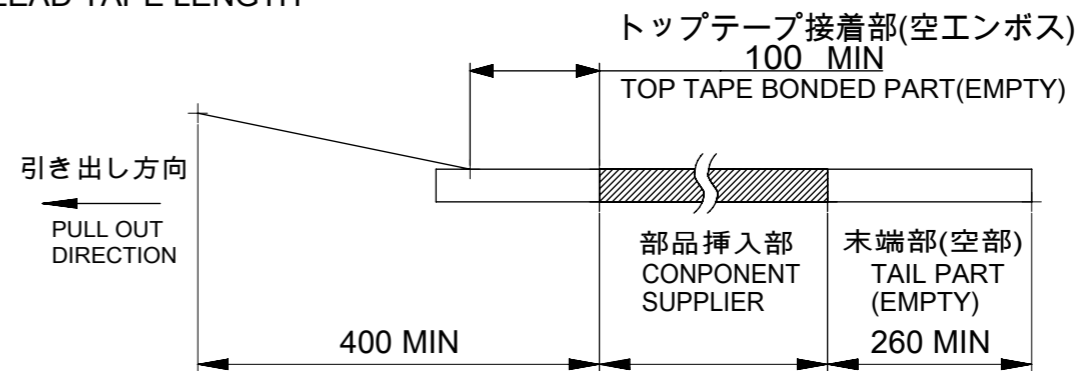
 :パターン禁止エリア  
RESTRICTED AREA  
NO PCB COMPONENTS ALLOWED

THIS DRAWING CONTAINS INFORMATION THAT IS PROPRIETARY TO MOLEX ELECTRONIC TECHNOLOGIES, LLC AND SHOULD NOT BE USED WITHOUT WRITTEN PERMISSION		CURRENT REV DESC:		<b>molex</b>	
DIMENSION UNITS	SCALE				
mm	NTS			PICO-CLASP 1.0 W/B SINGLE ROW VT SMT OUTER LOCK GOLD PLATING 0.1 MICRO-METER	
GENERAL TOLERANCES (UNLESS SPECIFIED)				PRODUCT CUSTOMER DRAWING	
ANGULAR TOL	± 3.0 °			DOCUMENT NUMBER	
4 PLACES	± 0.2	EC NO: 635683		5019400001-SD	
3 PLACES	± 0.2	DRWN: MIKEDA01 2020/05/12		DOC TYPE	
2 PLACES	± 0.2	CHK'D: SAKIYAMA 2020/05/13		PSD	
1 PLACE	± 0.2	APPR: KOMURAKAMI 2020/05/14		DOC PART	
0 PLACES	± 0.2	INITIAL REVISION:		000	
DRAFT WHERE APPLICABLE MUST REMAIN WITHIN DIMENSIONS		DRWN: AISHIKAWA 2019/04/01		REVISION	
THIRD ANGLE PROJECTION		APPR: KOMURAKAMI 2019/04/03		B	
DRAWING		SERIES		SHEET NUMBER	
A3-SIZE		501940		2 OF 5	
MATERIAL NUMBER		CUSTOMER			
SEE SHEET5		GENERAL			

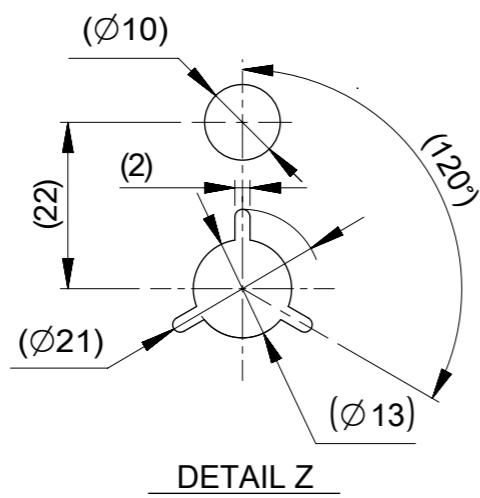


**NOTES**

- 9. 梱包数量:1100個/リール  
NUMBER OF CONNECTORS : 1100 PIECES/REEL
- 10. リードテープ長さ  
LEAD TAPE LENGTH



- 11. トップテープの剥離強度はIEC60286-3に準拠。  
TOP TAPE PEELING FORCE IS DEFINED BY IEC60286-3.
- 12. 梱包仕様書 : SPK-501940-001  
PACKAGE SPECIFICATION:
- 13. 発注番号 : SHEET 5 参照  
ORDER No. : PLEASE REFER TO SHEET 5 FOR PRODUCT LIST.



**501940**    \*\* \* \*

極数 CIRCUIT SIZE	ハウジングカラー HOUSING COLOR	製品識別番号 IDENTIFICATION NUMBER
	0:NATURAL(BEIGE)	3:EMBOSSED PACKAGE

THIS DRAWING CONTAINS INFORMATION THAT IS PROPRIETARY TO MOLEX ELECTRONIC TECHNOLOGIES, LLC AND SHOULD NOT BE USED WITHOUT WRITTEN PERMISSION		CURRENT REV DESC:		<b>molex</b>	
DIMENSION UNITS mm	SCALE NTS				
GENERAL TOLERANCES (UNLESS SPECIFIED)		EC NO: 635683		PICO-CLASP 1.0 W/B	
ANGULAR TOL ± 3.0 °		DRWN: MIKEDA01 2020/05/12		SINGLE ROW VT SMT OUTER LOCK GOLD PLATING	
4 PLACES ± 0.2		CHK'D: SAKIYAMA 2020/05/13		0.1 MICRO-METER	
3 PLACES ± 0.2		APPR: KOMURAKAMI 2020/05/14		PRODUCT CUSTOMER DRAWING	
2 PLACES ± 0.2		INITIAL REVISION:		DOCUMENT NUMBER	
1 PLACE ± 0.2		DRWN: AISHIKAWA 2019/04/01		5019400001-SD	
0 PLACES ± 0.2		APPR: KOMURAKAMI 2019/04/03		PSD 000 B	
DRAFT WHERE APPLICABLE MUST REMAIN WITHIN DIMENSIONS		THIRD ANGLE PROJECTION	DRAWING	SERIES	MATERIAL NUMBER
			A3-SIZE	501940	SEE SHEET5
				CUSTOMER	SHEET NUMBER
				GENERAL	3 OF 5

番号 NO.	部品 PART	材質 MATERIAL
⑤	リール REEL	ポリスチレン(PS) <リサイクル材を含む> POLYSTYRENE(PS) <RECYCLE MATERIAL CONTAINED>
DOCUMENT STATUS	P1	RELEASE DATE 2020/05/14 10:49:40

引き出し方向  
PULL OUT DIRECTION

16mm幅テープ  
TAPE WIDTH:16mm

⑦ TOP TAPE

CONNECTOR

⑥ CARRIER TAPE

SECTION Y-Y

SECTION X-X

12.0 ±0.1

(5.65)

(2.55)

0.5 ±0.05

(5.65)

(5.8)

(6.8)

(7.5) コネクタ中心位置  
CENTER OF CONNECTOR

(D)  
16 ±0.30

CIRCUIT 1

∅ 1.50 <sup>+0.10</sup>/<sub>-0.00</sub>

1.75 ±0.10


(2.0) エンボスポケット中心位置  
CENTER OF EMBOSSED POCKET

4.0 ±0.10

累積ピッチ : 40 ±0.2  
ACUUMLATIVE PITCH:

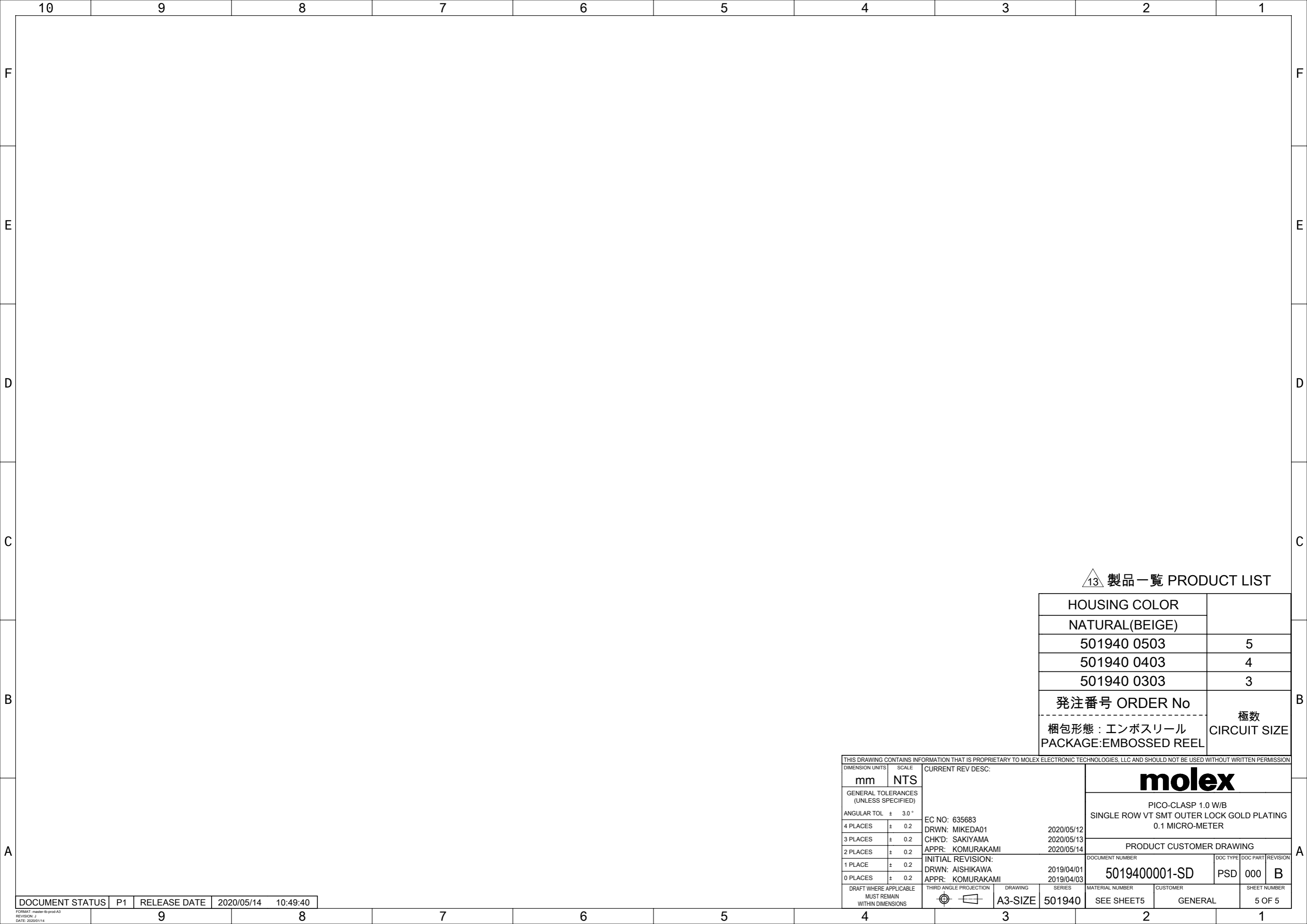
8.3	5
7.3	4
6.3	3
D	極数 CIRCUIT SIZE

THIS DRAWING CONTAINS INFORMATION THAT IS PROPRIETARY TO MOLEX ELECTRONIC TECHNOLOGIES, LLC AND SHOULD NOT BE USED WITHOUT WRITTEN PERMISSION

DIMENSION UNITS mm	SCALE NTS	CURRENT REV DESC:					
GENERAL TOLERANCES (UNLESS SPECIFIED)		EC NO: 635683					
ANGULAR TOL	± 3.0 °	DRWN: MIKEDA01		PRODUCT CUSTOMER DRAWING			
4 PLACES	± 0.2	CHK'D: SAKIYAMA		DOCUMENT NUMBER			
3 PLACES	± 0.2	APPR: KOMURAKAMI		5019400001-SD			
2 PLACES	± 0.2	INITIAL REVISION:		DOC TYPE			
1 PLACE	± 0.2	DRWN: AISHIKAWA		PSD			
0 PLACES	± 0.2	APPR: KOMURAKAMI		000			
DRAFT WHERE APPLICABLE MUST REMAIN WITHIN DIMENSIONS		THIRD ANGLE PROJECTION		DRAWING		SERIES	
		A3-SIZE		501940		SHEET NUMBER	
		SEE SHEET5		GENERAL		4 OF 5	



番号 NO.	部品 PART	材質 MATERIAL
⑥	キャリアテープ CARRIER TAPE	ポリプロピレン(PP)、その他 POLYPROPYLENE(PP), etc
⑦	トップテープ TOP TAPE	ポリエチレン(PE)、その他 POLYETHYLENE(PE), etc

DOCUMENT STATUS	P1	RELEASE DATE	2020/05/14	10:49:40
-----------------	----	--------------	------------	----------



△ 13 製品一覧 PRODUCT LIST

HOUSING COLOR	
NATURAL(BEIGE)	
501940 0503	5
501940 0403	4
501940 0303	3
発注番号 ORDER No	極数
梱包形態 : エンボスリール PACKAGE:EMBOSSED REEL	CIRCUIT SIZE

THIS DRAWING CONTAINS INFORMATION THAT IS PROPRIETARY TO MOLEX ELECTRONIC TECHNOLOGIES, LLC AND SHOULD NOT BE USED WITHOUT WRITTEN PERMISSION										
DIMENSION UNITS	SCALE	CURRENT REV DESC:								
mm	NTS									
GENERAL TOLERANCES (UNLESS SPECIFIED)		EC NO: 635683			PICO-CLASP 1.0 W/B SINGLE ROW VT SMT OUTER LOCK GOLD PLATING 0.1 MICRO-METER					
ANGULAR TOL	± 3.0 °	DRWN: MIKEDA01 2020/05/12			PRODUCT CUSTOMER DRAWING					
4 PLACES	± 0.2	CHK'D: SAKIYAMA 2020/05/13			DOCUMENT NUMBER					
3 PLACES	± 0.2	APPR: KOMURAKAMI 2020/05/14			5019400001-SD			DOC TYPE	DOC PART	REVISION
2 PLACES	± 0.2	INITIAL REVISION:			PSD 000 B					
1 PLACE	± 0.2	DRWN: AISHIKAWA 2019/04/01			MATERIAL NUMBER					
0 PLACES	± 0.2	APPR: KOMURAKAMI 2019/04/03			CUSTOMER					
DRAFT WHERE APPLICABLE MUST REMAIN WITHIN DIMENSIONS		THIRD ANGLE PROJECTION	DRAWING	SERIES	SHEET NUMBER		SHEET NUMBER			
			A3-SIZE	501940	SEE SHEET5		GENERAL		5 OF 5	

DOCUMENT STATUS	P1	RELEASE DATE	2020/05/14	10:49:40
-----------------	----	--------------	------------	----------