

**MATERIAL AND FINISHES:**

BODY, OUTER CONTACT: BRASS  
PLATED TRI-M

COUPLING NUT, REAR BODY,  
SNAP RING: BRASS  
PLATED NICKEL

CONTACT: PHOSPHOR BRONZE  
PLATED SILVER

INSULATOR: TEFLON

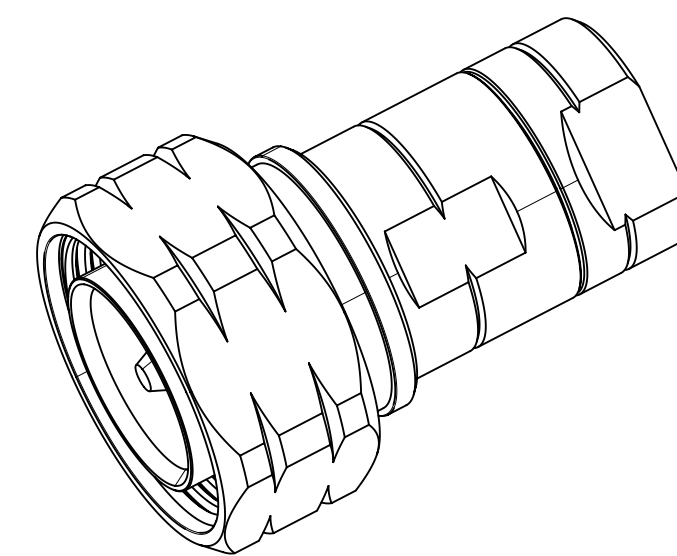
GASKET: SILICONE RUBBER

DUST CAP: PE

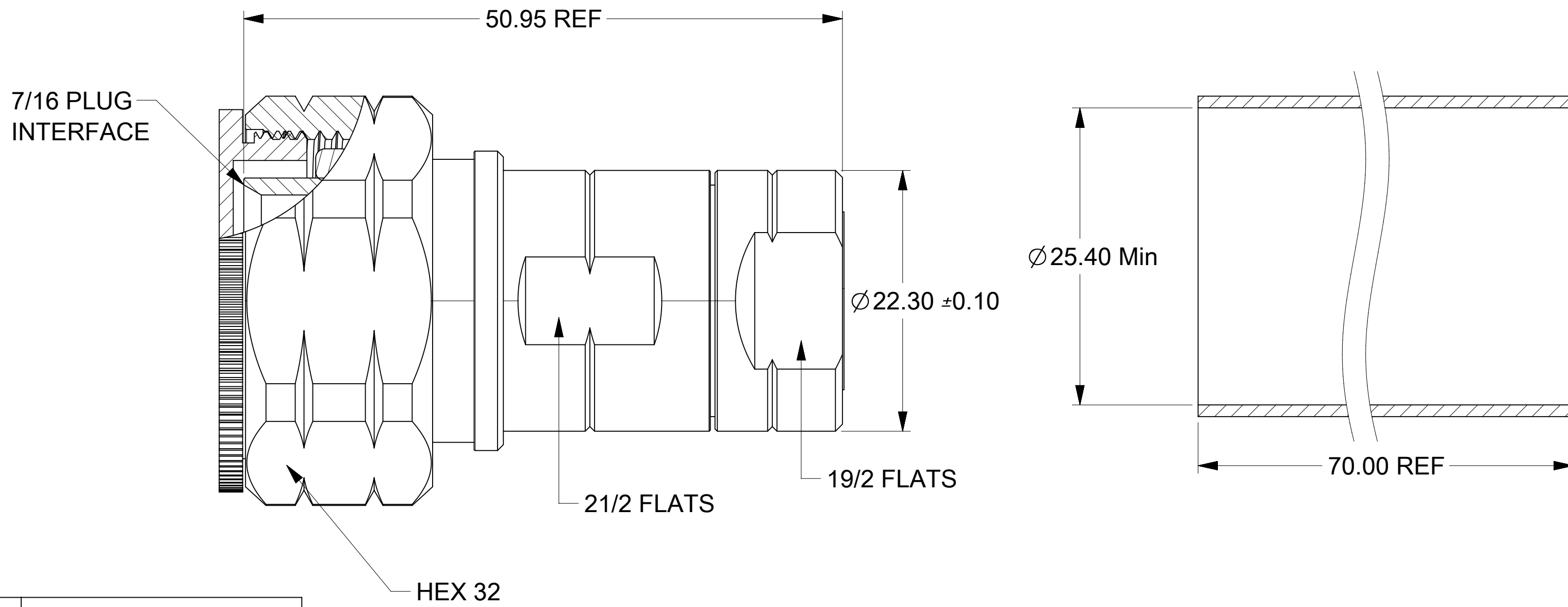
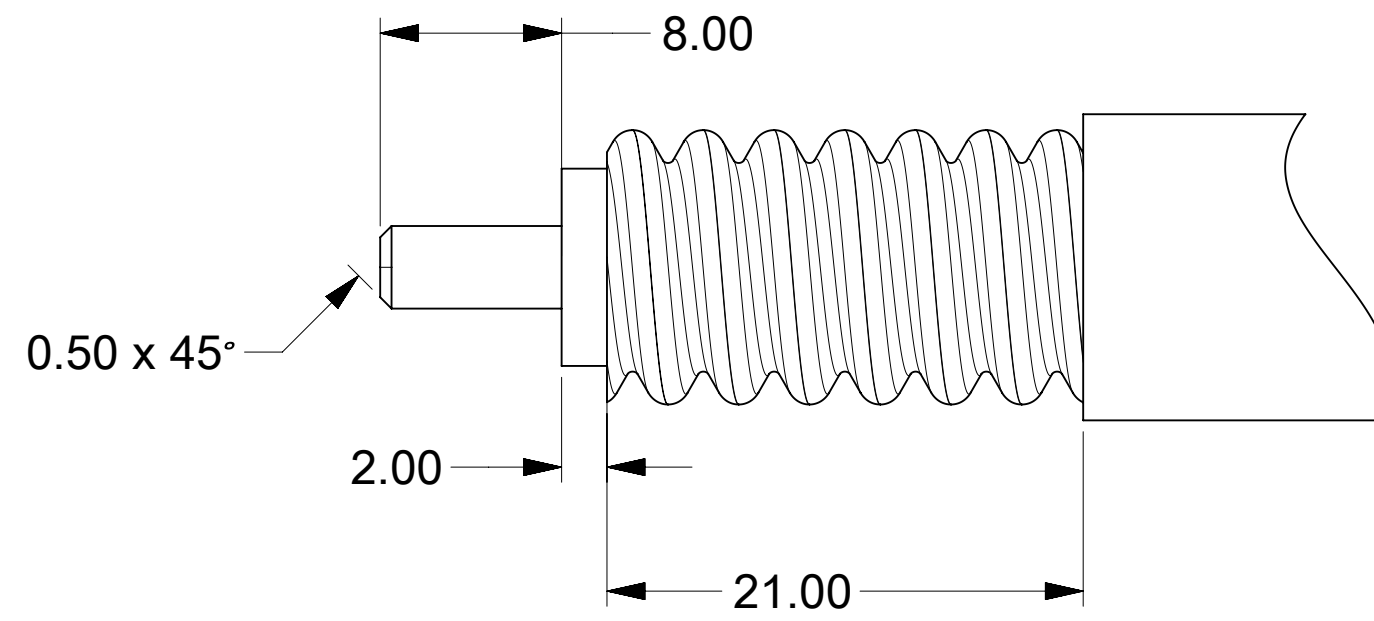
RECOMMENDED CABLE  
ACOME 1/2 SUPER FLEXIBLE CABLE

**PERFORMANCE REQUIREMENTS:**

FREQUENCY RANGE: 0-3000MHz  
IMPEDANCE: 50 OHMS  
RETURN LOSS:  $\leq -32\text{dB}$ (0-1000MHz)  
 $\leq -30\text{dB}$ (1000-2200MHz)  
 $\leq -26\text{dB}$ (2200-3000MHz)  
PIM3(2x20W):  $\leq -158\text{dBc}$ @900MHz AND 1800MHz  
PIM7(2x20W):  $\leq -158\text{dBc}$ @2100MHz  
WATER-PROOF: IP68 WHEN MATED



**RECOMMENDED STRIPPING DIM.**



73134-0333	NATURAL	INCLUDED
73134-0332	ONE PIECE PER CARTION	NOT INCLUDED
73134-0331	CUSTOMIZED	NOT INCLUDED
73134-0330	BY BAG	NOT INCLUDED
PART NO.	PACKAGING	SHRINK TUBE

IEC60169-4	INTERFACE
SPECIFICATION	DESCRIPTION

RELEASE STATUS P1 RELEASE DATE 01.12.2017 06:36:50

THIS DRAWING CONTAINS INFORMATION THAT IS PROPRIETARY TO MOLEX ELECTRONIC TECHNOLOGIES, LLC AND SHOULD NOT BE USED WITHOUT WRITTEN PERMISSION

CHG: 73134-0330 PKG  
CHANGE TO BY BAG  
PER EWR#: 11583-A

QUALITY SYMBOLS	EC NO: 168643	GENERAL TOLERANCES (UNLESS SPECIFIED)	DIMENSION UNITS	SCALE
▽ = 0	2017/11/23	ANGULAR TOL ± 2.0 °	HYBRID	3:1
▽ = 0	DRWN: MXU11	4 PLACES ±	DRWN BY	DATE
▽ = 0	2017/11/28	3 PLACES ±	MXU11	2013/06/03
▽ = 0	CHKD: YHUANG11	2 PLACES ±	CHKD BY	DATE
▽ = 0	2017/12/01	1 PLACE ±	YHUANG11	2013/06/03
▽ = 0	REV / APPR: MYE08	0 PLACES ±	APPR BY	DATE
▽ = 0			SRZHAO	2013/07/05
▽ = 0			DRAWING SIZE	THIRD ANGLE PROJECTION
▽ = 0			C	
▽ = 0				

MOLEX

7/16 PLUG FOR 1/2SF CABLE

PRODUCT CUSTOMER DRAWING

SERIES MATERIAL NUMBER CUSTOMER

73134 SEE TABLE GENERAL MARKET

DOCUMENT NUMBER DOC TYPE DOC PART SHEET NUMBER

SD-73134-033 PSD 001 1 OF 1