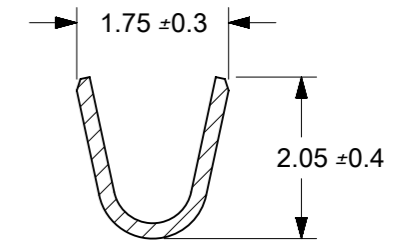
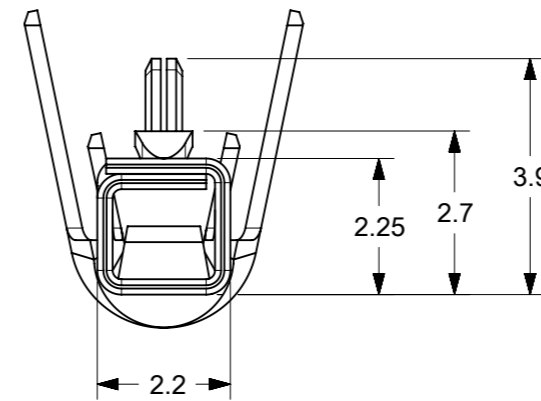


SECTION Y-Y



SECTION Z-Z

50598-8110	LOOSE
50598-8010	CHAIN
ENG. NO.	FORM

- NOTES:
1. APPLICABLE HOUSING: 51142 AND 151207 SERIES
 2. MATERIAL: COPPER ALLOY, TIN PLATED(t=0.25)
 3. APPLICABLE WIRE RANGE : 22 - 24AWG

SYMBOLS	THIS DRAWING CONTAINS INFORMATION THAT IS PROPRIETARY TO MOLEX ELECTRONIC TECHNOLOGIES, LLC AND SHOULD NOT BE USED WITHOUT WRITTEN PERMISSION		CURRENT REV DESC: INITIAL RELEASE		molex
	DIMENSION UNITS	SCALE	EC NO: 612439		
▽ = 0	mm	8:1	DRWN: MUM 2019/02/20		CP65 WTW CONNECTOR FEMALE TERMINAL AWG 22-24
▽ = 0	GENERAL TOLERANCES (UNLESS SPECIFIED)		CHK'D: NCSR 2019/02/26		
▽ = 0	ANGULAR TOL ± 3.0°		APPR: NCSR 2019/02/26		PRODUCT CUSTOMER DRAWING
▽ = 0	4 PLACES ±		INITIAL REVISION:		
▽ = 0	3 PLACES ±		DRWN: MUM 2019/02/20		DOCUMENT NUMBER
▽ = 0	2 PLACES ± 0.2		APPR: NCSR 2019/02/26		DOC TYPE
▽ = 0	1 PLACE ± 0.2				DOC PART
▽ = 0	0 PLACES ±				REVISION
■ = 0	DRAFT WHERE APPLICABLE MUST REMAIN WITHIN DIMENSIONS		THIRD ANGLE PROJECTION	DRAWING	SERIES
▽ = 0				A3-SIZE	50598
			MATERIAL NUMBER	CUSTOMER	SHEET NUMBER
			SEE TABLE	GENERAL MARKET	1 OF 1