

MATERIALS AND FINISHES

**BODY: BERYLLIUM COPPER
PLATED GOLD (1 MICRO-IN MIN)
OVER HIGH PHOS NICKEL (80 MICRO-IN MIN)
OVER COPPER (20 MICRO-IN MIN)**

**CONTACT: BERYLLIUM COPPER
PLATED GOLD (8 MICRO-IN MIN)
OVER HIGH PHOS NICKEL (80 MICRO-IN MIN)
OVER COPPER (20 MICRO-IN MIN)**

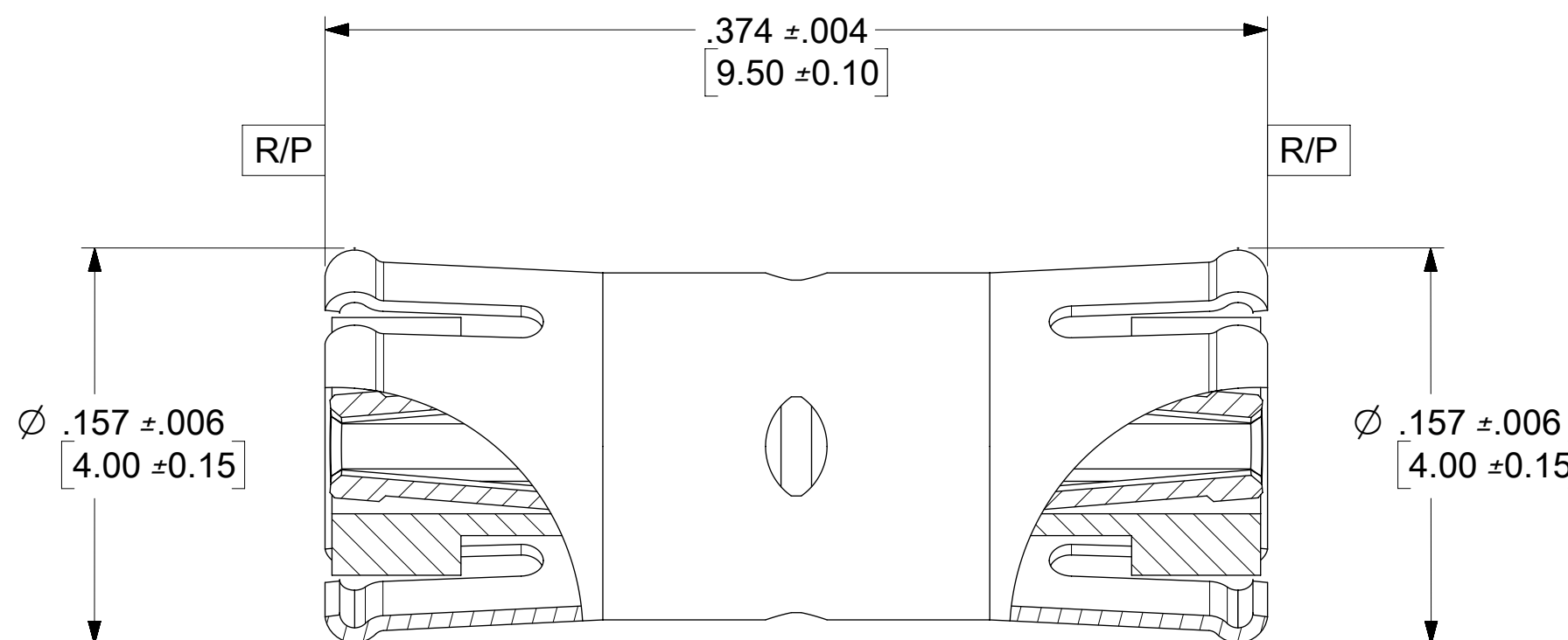
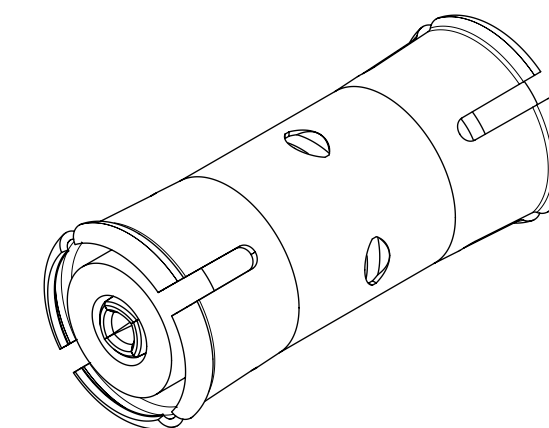
INSULATOR: PTFE

ELECTRICAL CHARACTERISTICS:

**NOMINAL IMPEDANCE: 50Ω
FREQUENCY RANGE: DC-6 GHz
VSWR: 1.25 MAX UP TO 3GHz, 1.35 MAX 3-6GHz
INSERTION LOSS: 0.15√F (GHz) dB MAX
COAXIAL TRANSMISSION LINE ONLY
VOLTAGE RATING: 330 Vrms AT SEAL LEVEL
DIELECTRIC WITHSTANDING VOLTAGE: 1000 Vrms
INSULATION RESISTANCE: 5000 MΩ**

OTHERS:

**POWER HANDLING
300 W MIN @ 2.7 GHz AT 25°C
200 W MIN @ 2.7 GHz AT 85°C
RADIAL WORKING RANGE: 3°
AXIAL WORKING RANGE: 2.0mm OR 2.4mm
(SHOULD BE WITH SPECIAL RECEPTACLE FOR
AXIAL MISALIGNMENT ±1.2mm)**



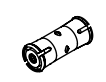
73420-5840	TRAY
PART NO.	PACKAGING

PS-89675-3760	ELEC/MECH PERFORMANCE
SPECIFICATION	DESCRIPTION

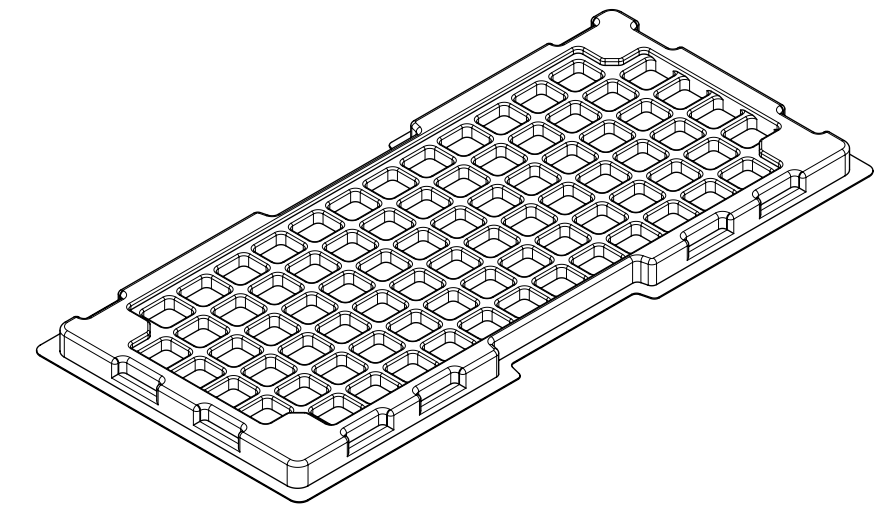
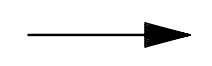
A1	2018/1/15	ADD TOLERANCE & SPEC PER EWR #11096-C
REV	DATE	DESCRIPTION

DOCUMENT STATUS	P1	RELEASE DATE	2018/02/02	01:14:09
-----------------	----	--------------	------------	----------

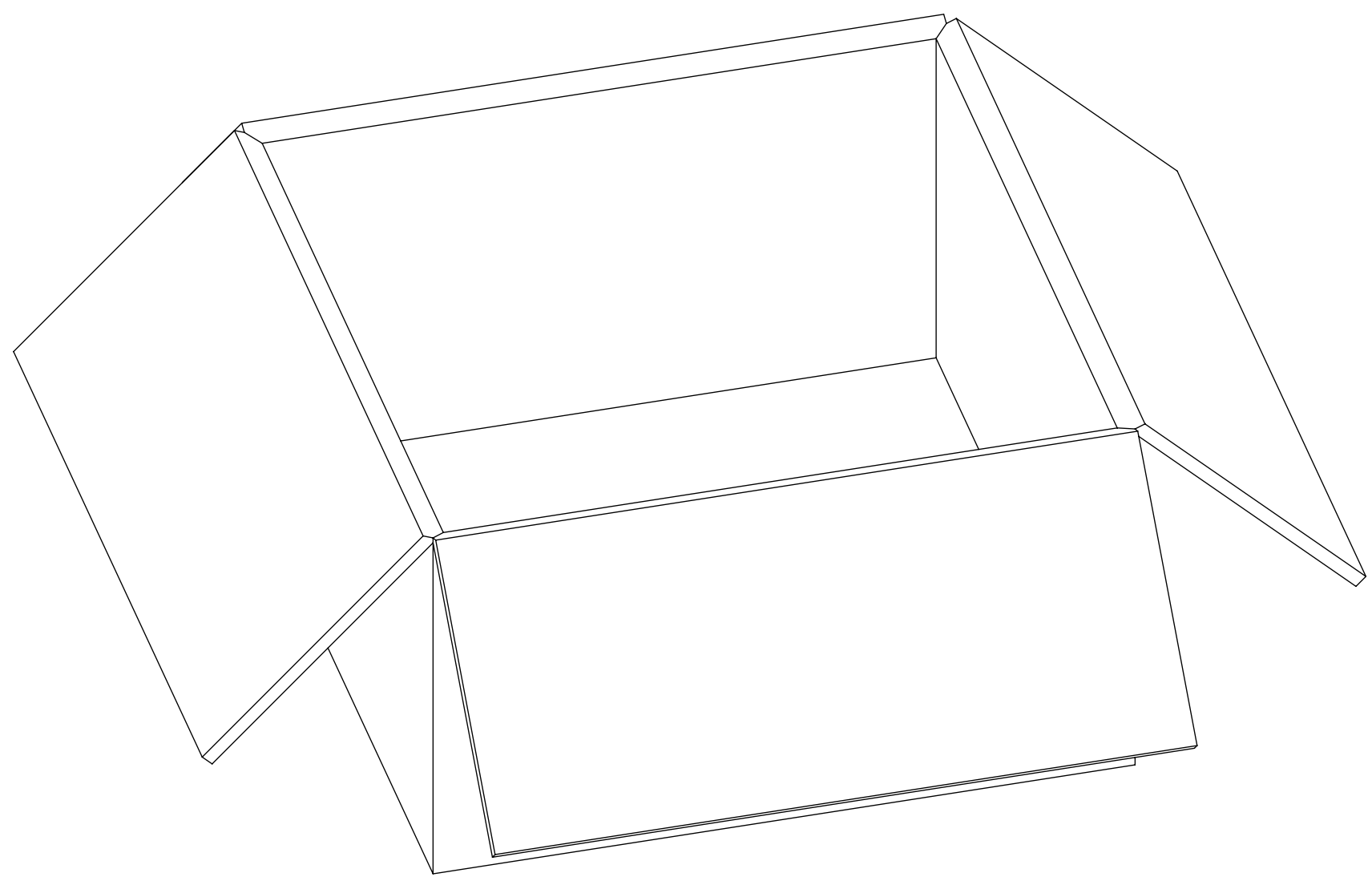
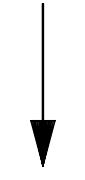
THIS DRAWING CONTAINS INFORMATION THAT IS PROPRIETARY TO MOLEX ELECTRONIC TECHNOLOGIES, LLC AND SHOULD NOT BE USED WITHOUT WRITTEN PERMISSION									
DIMENSION UNITS	SCALE	CURRENT REV DESC:							
HYBRID	NTS								
GENERAL TOLERANCES (UNLESS SPECIFIED)		EC NO: 171074			SMP-MAX EVO JJ BULLET L=9.50 DEEP DRAWN SMPMAX-BULLET				
ANGULAR TOL	± °	DRWN: RYEH 2018/01/15							
4 PLACES	±	CHK'D: YCHENG 2018/02/02							
3 PLACES	±	APPR: YCHENG 2018/02/02							
2 PLACES	±	INITIAL REVISION:			PRODUCT CUSTOMER DRAWING				
1 PLACE	±	DRWN: RYEH 2016/10/21							
0 PLACES	±	APPR: YCHENG 2017/07/06			DOCUMENT NUMBER		DOC TYPE	DOC PART	REVISION
DRAFT WHERE APPLICABLE MUST REMAIN WITHIN DIMENSIONS		THIRD ANGLE PROJECTION	DRAWING	SERIES	MATERIAL NUMBER		CUSTOMER		SHEET NUMBER
			C-SIZE	73420	734205840		PSD	000	A1
					SEE TABLE				1 OF 2



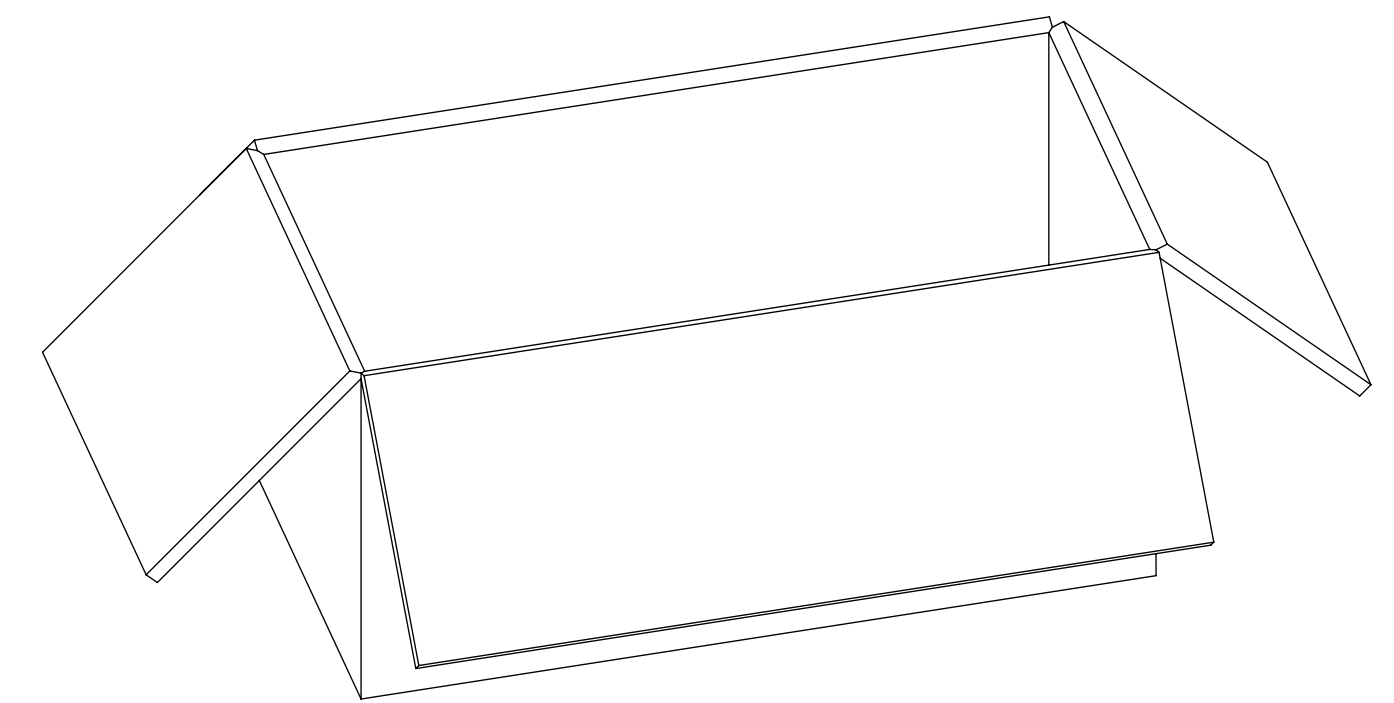
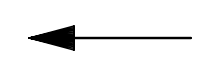
P/N:: 73420-5840



80 SETS PER TRAY
P/N: 89707-0190



3200 SETS PER OUTER
CARTON BOX
P/N: 96708-0005



1600 SETS PER INNER
CARTON BOX
P/N: 96707-0001

THIS DRAWING CONTAINS INFORMATION THAT IS PROPRIETARY TO MOLEX ELECTRONIC TECHNOLOGIES, LLC AND SHOULD NOT BE USED WITHOUT WRITTEN PERMISSION									
DIMENSION UNITS		SCALE		CURRENT REV DESC:				molex	
HYBRID		NTS							
GENERAL TOLERANCES (UNLESS SPECIFIED)				EC NO: 171074		2018/01/15		SMP-MAX EVO JJ BULLET L=9.50 DEEP DRAWN SMPMAX-BULLET	
ANGULAR TOL ± °				DRWN: RYEH		2018/02/02		PRODUCT CUSTOMER DRAWING	
4 PLACES ±				CHK'D: YCHENG		2018/02/02		DOCUMENT NUMBER	
3 PLACES ±				APPR: YCHENG		2018/02/02		734205840	
2 PLACES ±				INITIAL REVISION:				DOC TYPE	
1 PLACE ±				DRWN: RYEH		2016/10/21		PSD	
0 PLACES ±				APPR: YCHENG		2017/07/06		DOC PART	
DRAFT WHERE APPLICABLE MUST REMAIN WITHIN DIMENSIONS				THIRD ANGLE PROJECTION		DRAWING		DOC PART	
						C-SIZE		000	
						SERIES		REVISION	
						73420		A1	
						MATERIAL NUMBER		SHEET NUMBER	
						SEE TABLE		2 OF 2	