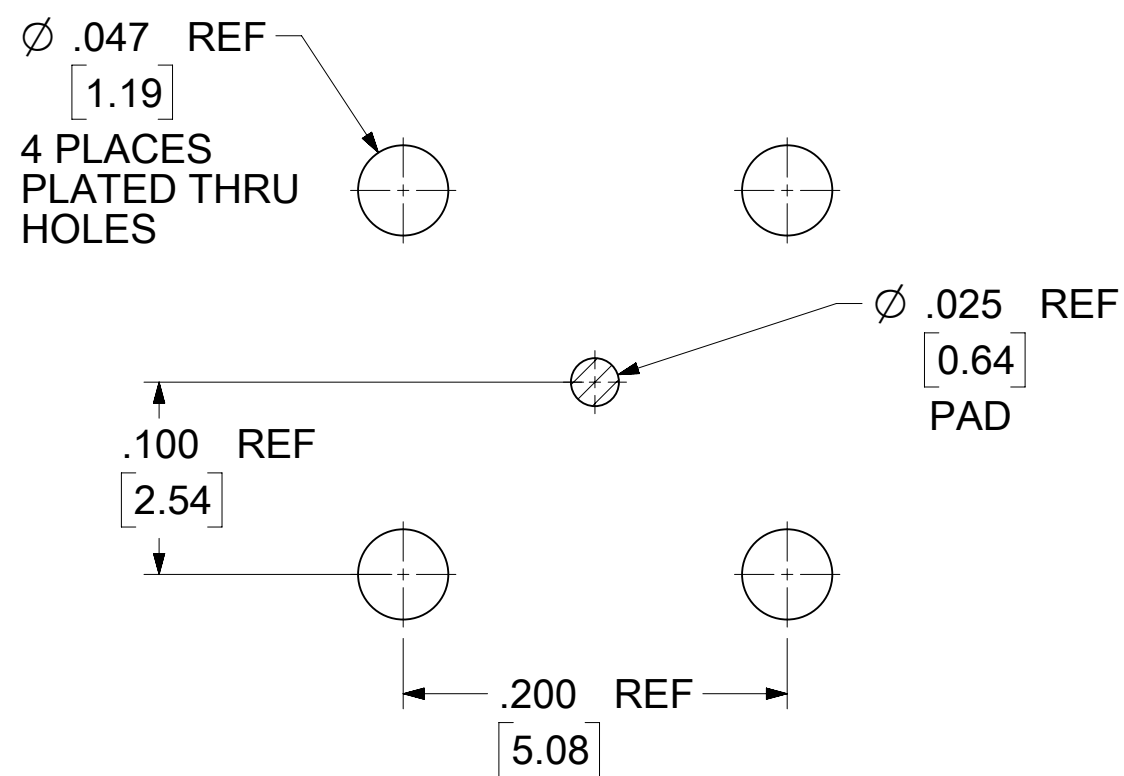
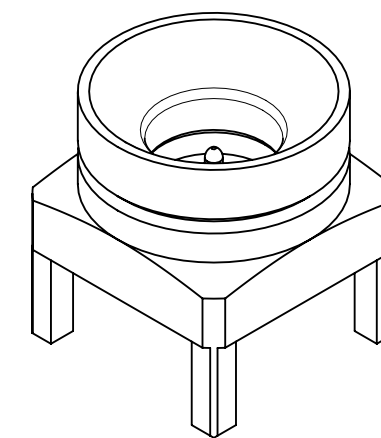


MATERIALS AND FINISHES:

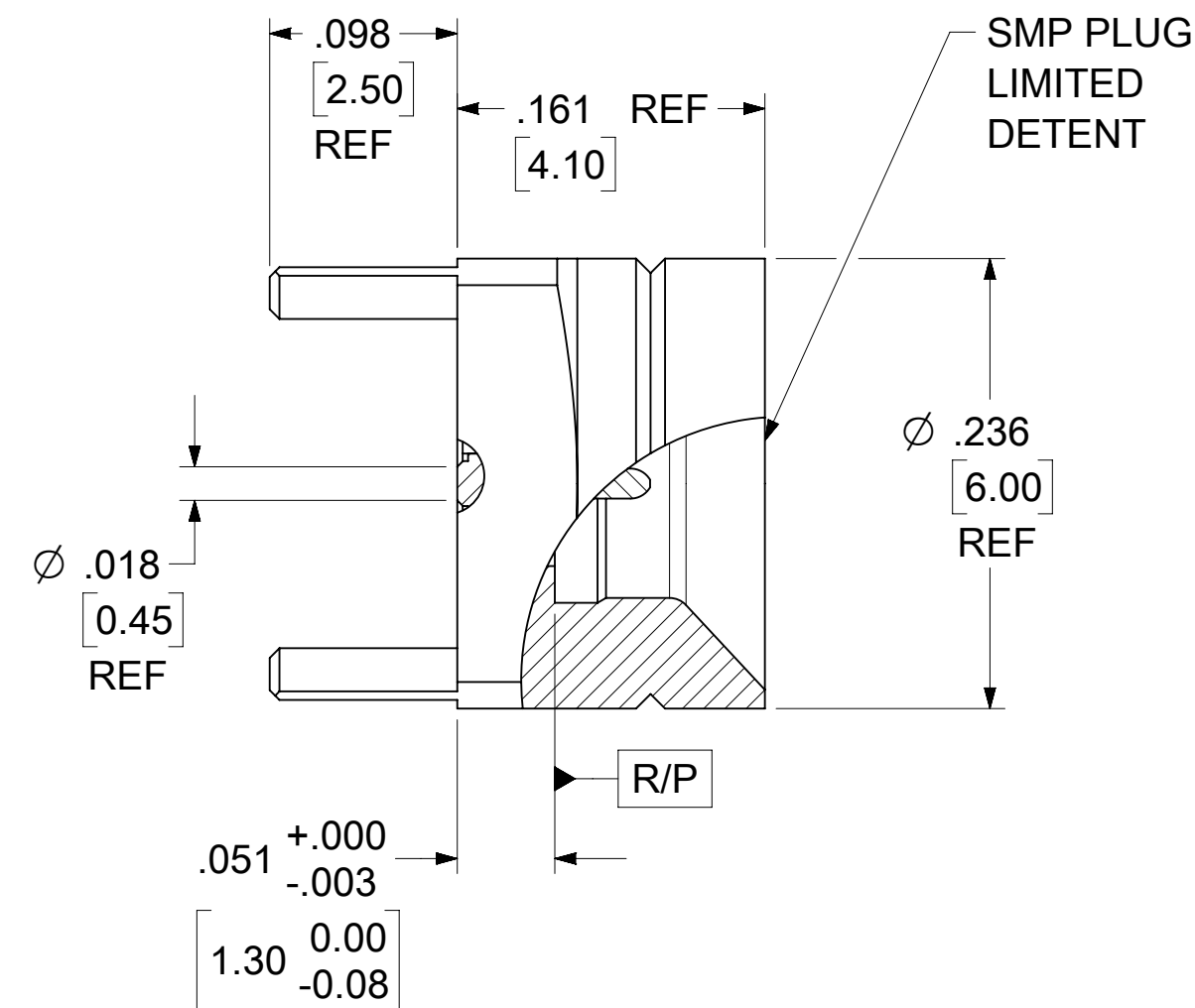
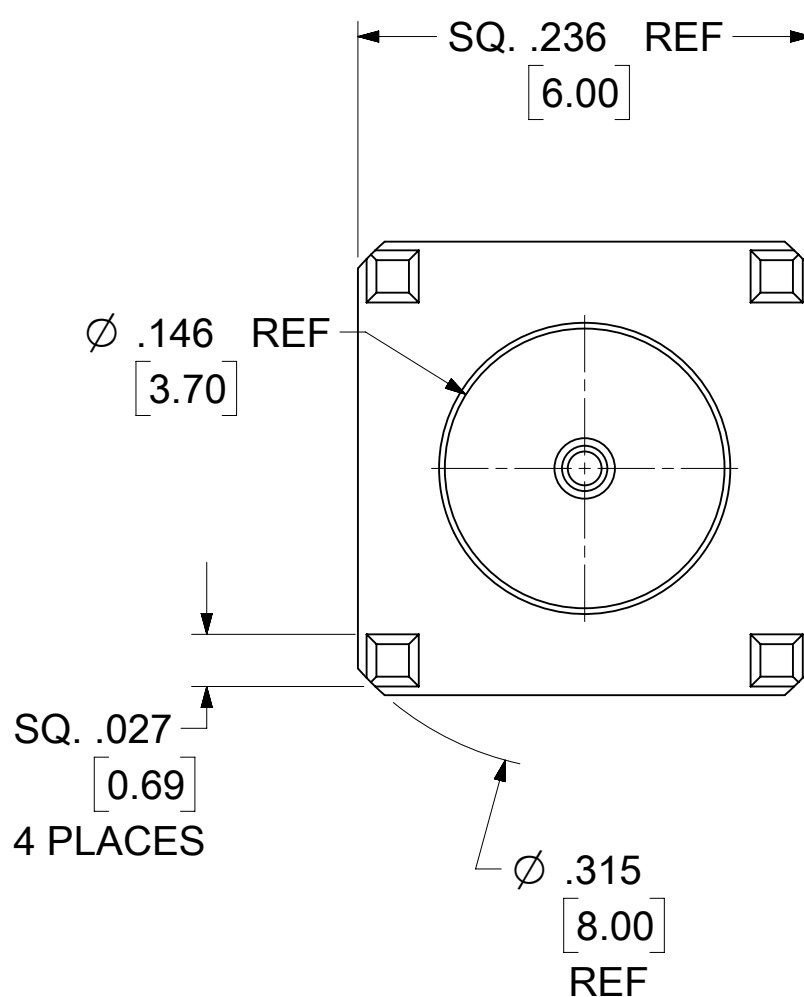
BODY: BRASS
 PLATED GOLD (8μ-in MIN)
 OVER NICKEL (80μ-in MIN)

CENTER CONTACT: BRASS
 PLATED GOLD (10μ-in MIN)
 OVER NICKEL (100μ-in MIN)

INSULATOR: PEEK



RECOMMENDED PCB LAYOUT



LABEL WITH EACH BAG
 FOR 73406-6692

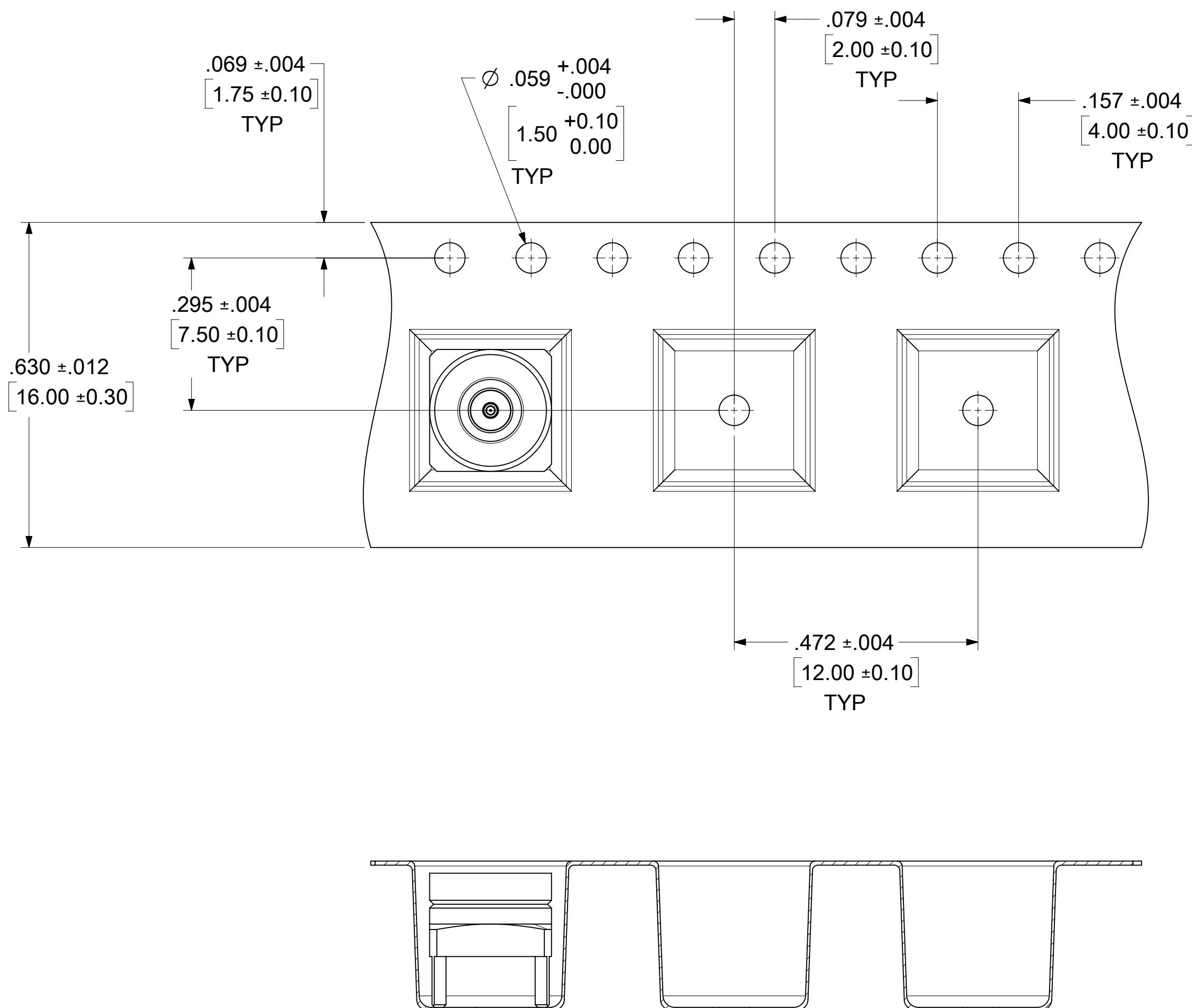
MOLEX P/N: 73406-6692
 DATE: YYWW

73406-6692	ONE PER BAG	895420470
73406-6691	TRAY	895420040
73406-6690	TAPE AND REEL	SEE SHEET 2 & 3
PART NO.	PACKAGING	PACKING SPEC

MIL-STD-348B, FIG. 326.3	INTERFACE
PS-89675-3320	PRODUCT SPECIFICATION
SPECIFICATION	DESCRIPTION

FUNCTIONAL SYMBOLS	THIS DRAWING CONTAINS INFORMATION THAT IS PROPRIETARY TO MOLEX ELECTRONIC TECHNOLOGIES, LLC AND SHOULD NOT BE USED WITHOUT WRITTEN PERMISSION									
	DIMENSION UNITS	SCALE	CURRENT REV DESC: ADD 73406-6692 FOR SMALL PACK PER EWR15321-D							
FA = 0	IN/MM	NTS	EC NO: 718352 DRWN: CWEI02 2022/08/16 CHK'D: YCHENG 2022/08/23 APPR: YCHENG 2022/08/23 INITIAL REVISION: DRWN: AROBERTSON 2013/10/28 APPR: JWIENER 2013/10/30							
FC = 0	GENERAL TOLERANCES (UNLESS SPECIFIED)									
FD = 0	ANGULAR TOL ± 2.0°		SMP PLUG LD VERTICAL PCB TH GROUND SMT SIGNAL SMP-P/PCB, EWR-5264							
DIVISIONAL SYMBOLS	4 PLACES ±	0.25	PRODUCT CUSTOMER DRAWING							
	3 PLACES ±	0.25	DOCUMENT NUMBER							
	2 PLACES ±	0.25	SD-73406-669							
1 PLACE ±	0.25	0.25	DOC TYPE DOC PART REVISION							
0 PLACES ±	0.25	0.25	PSD 001 B3							
DRAFT WHERE APPLICABLE MUST REMAIN WITHIN DIMENSIONS	THIRD ANGLE PROJECTION	DRAWING	SERIES	MATERIAL NUMBER	CUSTOMER	SHEET NUMBER				
		C-SIZE	73406	SEE TABLE	GENERAL MARKET	1 OF 3				

NOTE: 10 PITCHES CUMULATIVE TOLERANCE ± .008 (0.20)



THIS DRAWING CONTAINS INFORMATION THAT IS PROPRIETARY TO MOLEX ELECTRONIC TECHNOLOGIES, LLC AND SHOULD NOT BE USED WITHOUT WRITTEN PERMISSION													
FUNCTIONAL SYMBOLS		DIMENSION UNITS		SCALE		CURRENT REV DESC: ADD 73406-6692 FOR SMALL PACK PER EWR15321-D							
FA = 0		IN/MM		NTS		EC NO: 718352 DRWN: CWEI02 2022/08/16 CHK'D: YCHENG 2022/08/23 APPR: YCHENG 2022/08/23 INITIAL REVISION: DRWN: AROBERTSON 2013/10/28 APPR: JWIENER 2013/10/30							
FC = 0		GENERAL TOLERANCES (UNLESS SPECIFIED)											
FP = 0		ANGULAR TOL ± 2.0°											
DIVISIONAL SYMBOLS		4 PLACES ±		±		PRODUCT CUSTOMER DRAWING							
		3 PLACES ±		±		DOCUMENT NUMBER		DOC TYPE		DOC PART		REVISION	
		2 PLACES ±		± 0.25		SD-73406-669		PSD		001		B3	
		1 PLACE ±		±		MATERIAL NUMBER		CUSTOMER		SHEET NUMBER			
		0 PLACES ±		±		SEE TABLE		GENERAL MARKET		2 OF 3			
		DRAFT WHERE APPLICABLE MUST REMAIN WITHIN DIMENSIONS		THIRD ANGLE PROJECTION		DRAWING		SERIES		73406			

molex

SMP PLUG LD VERTICAL PCB
TH GROUND SMT SIGNAL SMP-P/PCB, EWR-5264

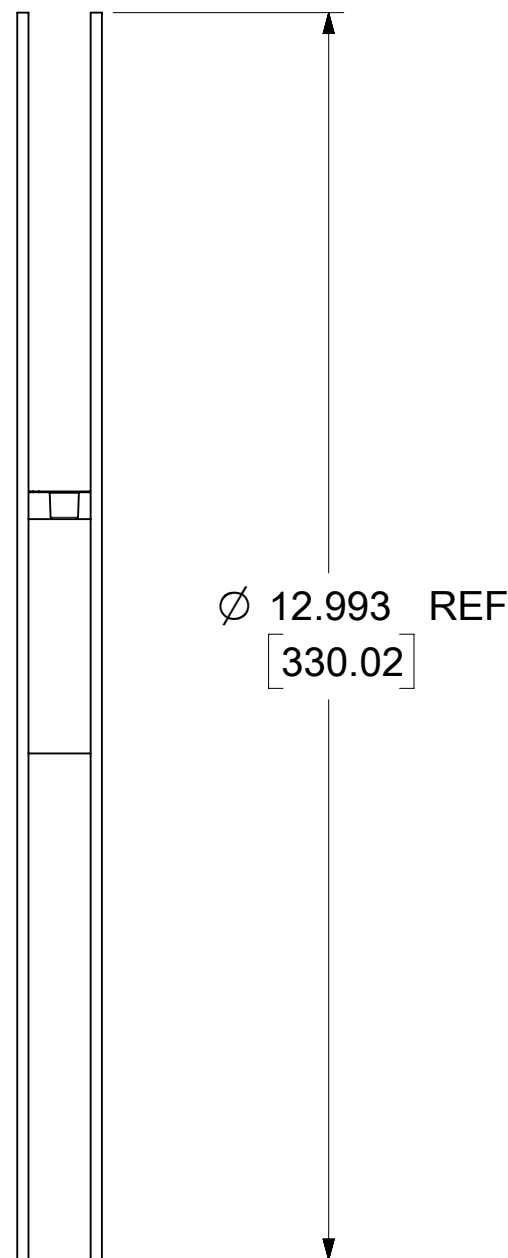
PRODUCT CUSTOMER DRAWING

SD-73406-669

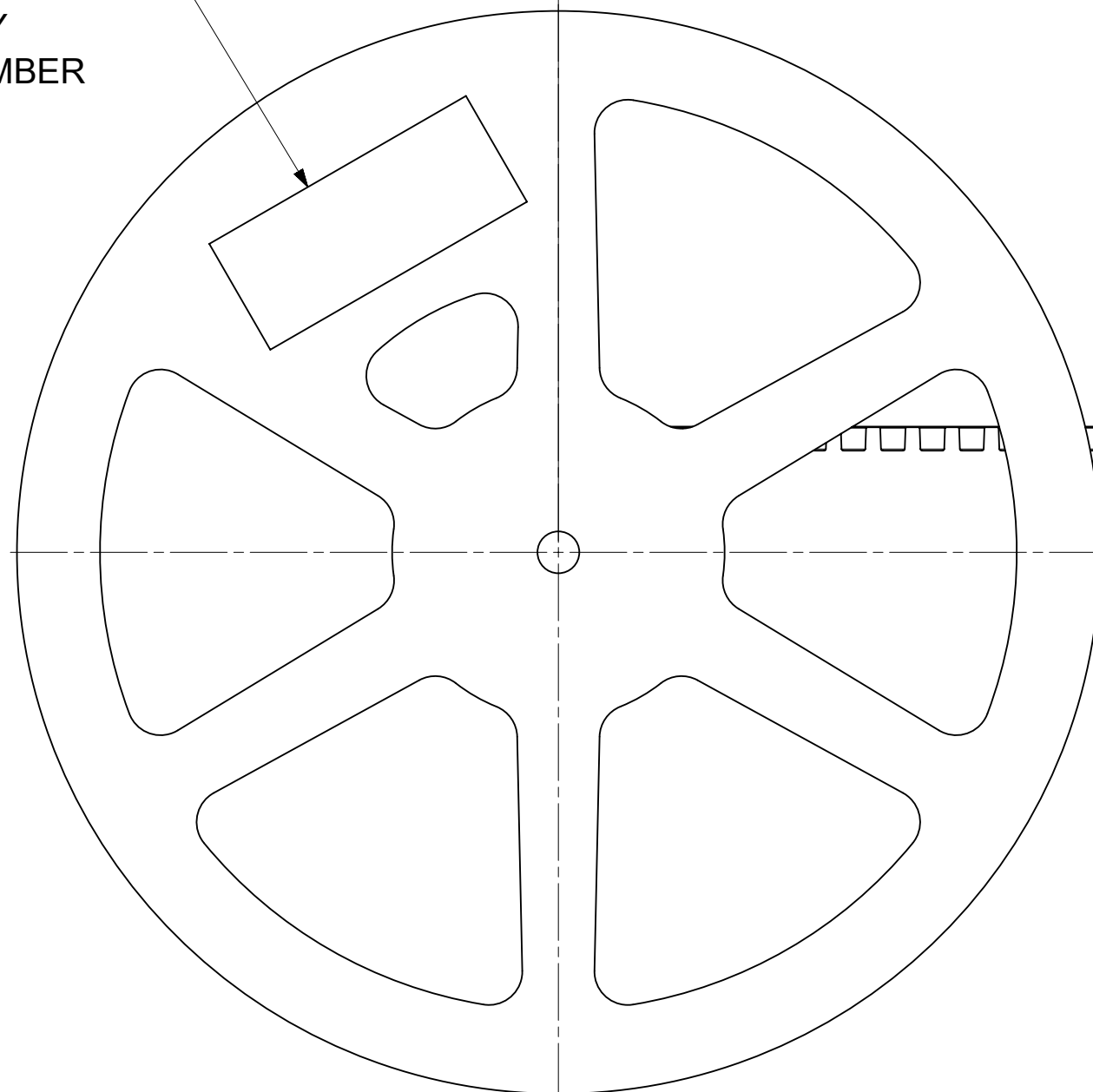
PSD 001 B3

SEE TABLE GENERAL MARKET 2 OF 3

DOCUMENT STATUS	P1	RELEASE DATE	2022/08/23	12:44:04
-----------------	----	--------------	------------	----------



LABEL:
-ORDER NO.
-QUANTITY
-PART NUMBER
-LOT NO.



25 EMPTY UNITS
MINIMUM

ORDER QUANTITY
PACKED WITH 750
COMPONENTS

25 EMPTY UNITS
MINIMUM

HANDLING DIRECTION →

FUNCTIONAL SYMBOLS	THIS DRAWING CONTAINS INFORMATION THAT IS PROPRIETARY TO MOLEX ELECTRONIC TECHNOLOGIES, LLC AND SHOULD NOT BE USED WITHOUT WRITTEN PERMISSION										
	DIMENSION UNITS	SCALE	CURRENT REV DESC: ADD 73406-6692 FOR SMALL PACK PER EWR15321-D								
$\frac{F}{A} = 0$	IN/MM	NTS	molex SMP PLUG LD VERTICAL PCB TH GROUND SMT SIGNAL SMP-P/PCB, EWR-5264								
$\frac{F}{C} = 0$	GENERAL TOLERANCES (UNLESS SPECIFIED)										
$\frac{F}{P} = 0$	ANGULAR TOL ± 2.0°		EC NO: 718352		2022/08/16		PRODUCT CUSTOMER DRAWING				
DIVISIONAL SYMBOLS		4 PLACES ±		DRWN: CWEI02		2022/08/23					
		3 PLACES ±		CHK'D: YCHENG		2022/08/23		DOCUMENT NUMBER			
		2 PLACES ± 0.25		APPR: YCHENG		2022/08/23		SD-73406-669			
		1 PLACE ±		INITIAL REVISION:		2013/10/28		DOC TYPE			
		0 PLACES ±		DRWN: AROBERTSON		2013/10/30		PSD			
		DRAFT WHERE APPLICABLE MUST REMAIN WITHIN DIMENSIONS		THIRD ANGLE PROJECTION		DRAWING		SERIES		REVISION	
				C-SIZE		73406		MATERIAL NUMBER		SHEET NUMBER	
								SEE TABLE		3 OF 3	
								CUSTOMER		GENERAL MARKET	

DOCUMENT STATUS	P1	RELEASE DATE	2022/08/23	12:44:04
-----------------	----	--------------	------------	----------