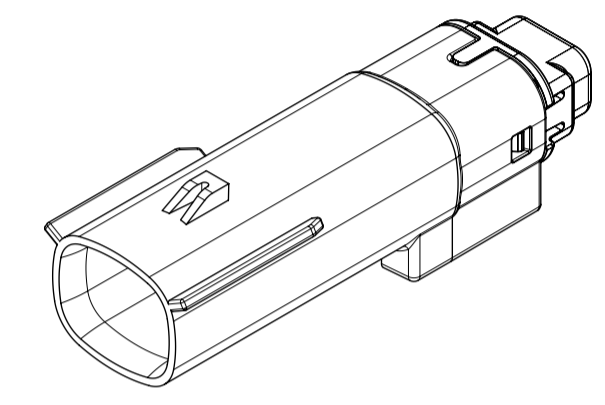


TABLE OF CONTENTS	
SHEET NO.	SHEET DESCRIPTION
1	NOTES AND BOM
2	CONFIGURATIONS
3-4	KEY CONFIGURATIONS
5	BLADE SEALED ASSEMBLY
6	SYSTEM PACKAGING
7	BACKSHELL NOTES
8	BACKSHELL
9	BACKSHELL CONFIGURATIONS

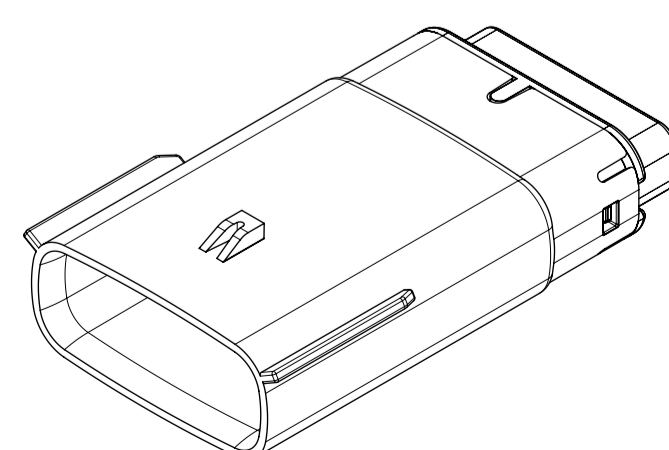
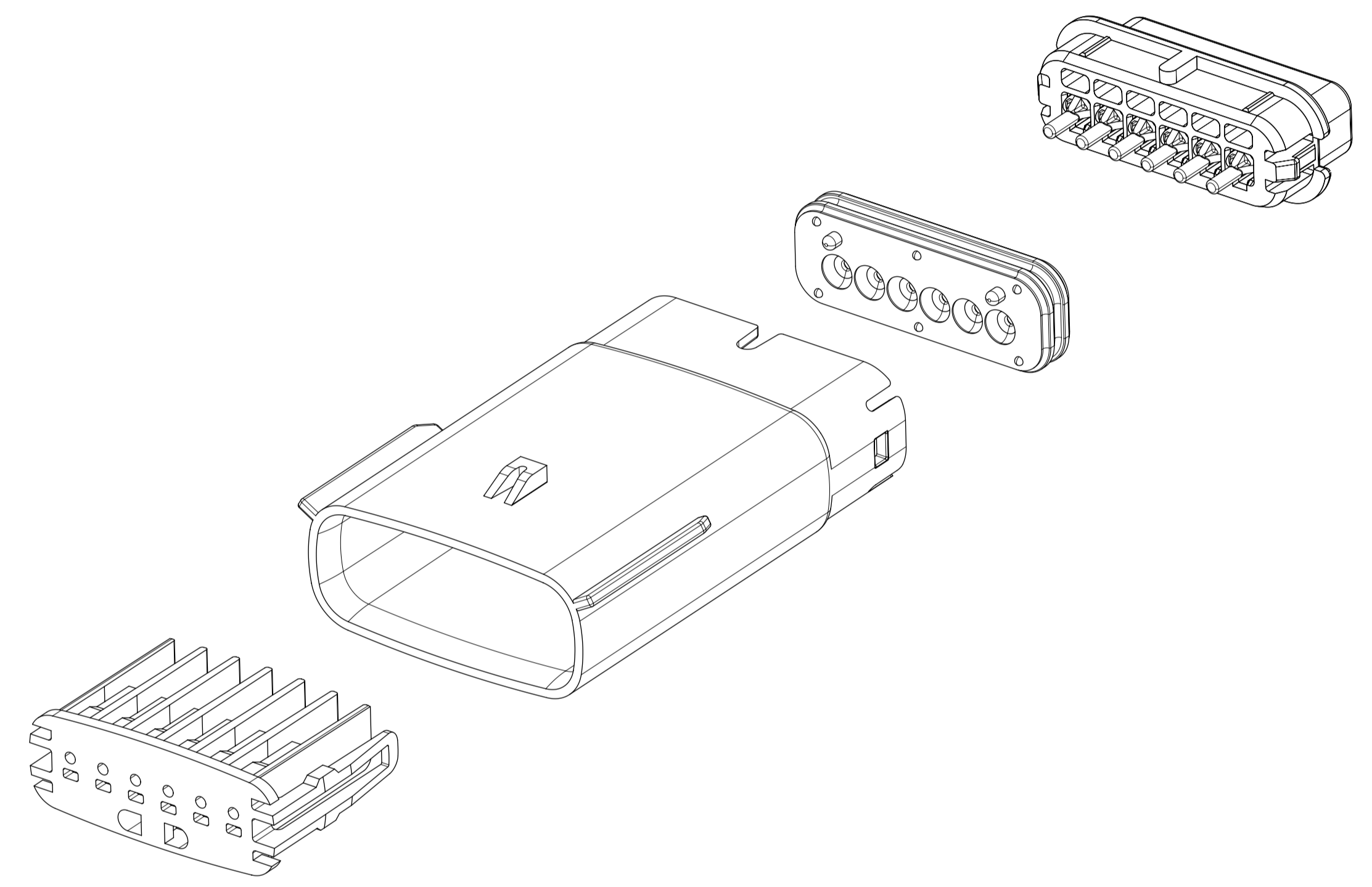
NOTES: VALID UNLESS OTHERWISE SPECIFIED

1. GENERAL:
- a. APPLICATION SPECIFICATION SEE: AS-33472-100
- CONTAINS: PRODUCT INTRODUCTION, PRODUCT SUMMARY, CONNECTOR ASSEMBLY, PACKAGING INFORMATION, CONNECTOR MATING, SERVICE INSTRUCTIONS, ELECTRICAL CONTINUITY CHECKING, CRIMPING, AND TROUBLESHOOTING.
  - DESIGNED TO MATE WITH RECEPTACLE SEALED ASSEMBLY AS SPECIFIED IN THE MATING CONNECTOR DRAWINGS CHART.
  - \*DENOTES DRAWINGS THAT CAN BE ACCESSED AT <http://ewcap.uscarteams.org/>
  - ASSEMBLY SHIPPED WITH PLR IN PRE-LOCK POSITION (SEE PLR PRE-LOCK VIEW SHEET 5).
- b. PRODUCT SPECIFICATION SEE:
- STANDARD CONFIGURATION: PS-33471-000
  - UL V0 CONFIGURATION: PS-160105-0001
  - CONTAINS: PRODUCT INTRODUCTION, PRODUCT SUMMARY, RATINGS (CURRENT, TEMPERATURE, SEALING, AND FLAMMABILITY), TERMINALS, WIRE DIAMETER RANGE, PRODUCT VALIDATION, AND PRODUCT DEVIATIONS.
- c. PACKAGING SPECIFICATION PER MOLEX DRAWING: PK-31300-635 (PK-33471-000 FOR 1X5)
- d. PARTS MUST BE IN COMPLIANCE TO MOLEX CHEMICAL SUBSTANCES FOR PRODUCTS AND PACKAGING SPECIFICATION: QEHS-699000-300
- e. DATA MUST BE SUBMITTED UNDER THE MOLEX PART NUMBER TO IMDS (COMPANY ID#13255)
2. DESIGN - MATERIALS:
- a. FOR BILL OF MATERIALS SEE:
- STANDARD CONFIGURATION: SD-33481-0002
  - UL V0 CONFIGURATION: SD-160106-0002
3. DESIGN - GEOMETRY:
- a. THE 3-D CAD DATA IS BASIC (WITHOUT TOLERANCE) AND MASTER FOR THIS PART WITH THE EXCEPTION OF UNDERLINED DIMENSIONS. DIMENSIONAL INFORMATION NOT SHOWN ON THIS DRAWING IS DEFINED BY THE DATA FILE AT ITS LATEST REVISION.
- b. GEOMETRIC DIMENSIONS AND TOLERANCES PER ASME Y14.5M-2009
- c. EDGES AND UNDIMENSIONED DETAILS PER ISO13715
- d. CORNERS SHOWN AS SHARP TO BE R 0.2 MAX.
- e. LETTERING SHALL BE 0.15 MAX RAISED IN 0.25 MAX RECESS PAD. THIS INCLUDES RECYCLING CODE, CAVITY ID, VENDOR IDENTIFICATION, AND CUSTOMER MATERIAL NUMBER.
- f. VISUAL DEFECTS SHALL MEET COSMETIC STANDARD PS-45499-002 (Class B).
- g. LASER MARKING:
1. PART NUMBER
  2. DAY OF THE YEAR
  3. SHIFT
  4. YEAR
- FOR ADDITIONAL INFORMATION SEE SECTION 5 UNDER PROCEDURES IN ES-34735-008.

MATING CONNECTOR DRAWINGS	
DESCRIPTION	MOLEX INLINE
1X2	SD-33471-0001
1X6	SD-33471-0001



1X2

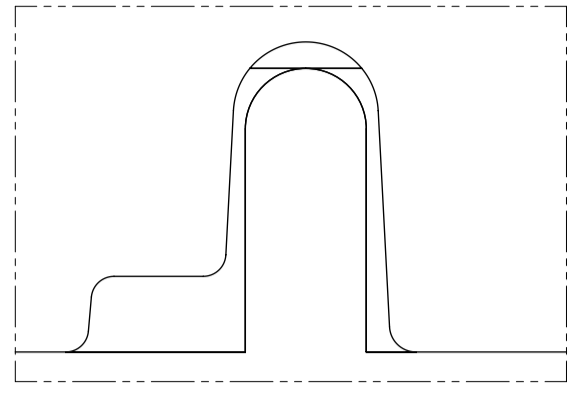


1X6

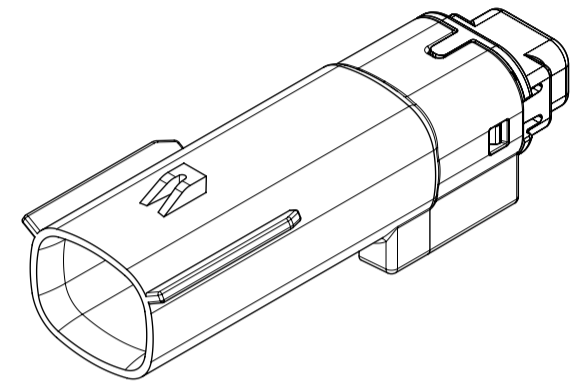
INSPECTION NUMBER LOG	
LAST NUMBER: 9	ADDED:
REMOVED:	REV
A1	NX REMASTERING , CHANGE PS DRAWING NUMBER FROM PS-160105-0001 TO PS-160074-0001 IN NOTES 1.b
A	MINOR GEOMETRY CHANGE FOR UL V0
2	UPDATED VIEWSETS
1	INITIAL RELEASE
REV	REV DESCRIPTION

<b>SYMBOLS</b> = 0 = 0 = 0 = 0 = 0 = 0 = 0 = 0 = 0	THIS DRAWING CONTAINS INFORMATION THAT IS PROPRIETARY TO MOLEX ELECTRONIC TECHNOLOGIES, LLC AND SHOULD NOT BE USED WITHOUT WRITTEN PERMISSION DIMENSION UNITS: <b>MM ONLY</b> SCALE: <b>1.5:1</b>	CURRENT REV DESC: EC NO: 602373 DRWN: DSHETTY01 2018/05/25 CHK'D: MVANSLAMBROU 2018/10/04 APPR: MVANSLAMBROU 2018/10/04 INITIAL REVISION: DRWN: APROFFITT 2015/07/21 APPR: KDEKOSKI 2016/06/14	 MX150 BLADE SINGLE ROW SEALED ASSY MAT SEAL PRODUCT CUSTOMER DRAWING	
	GENERAL TOLERANCES (UNLESS SPECIFIED) ANGULAR TOL ± 1.0° 4 PLACES ± 3 PLACES ± 2 PLACES ± 0.1 1 PLACE ± 0.2 0 PLACES ±	DRAFT WHERE APPLICABLE MUST REMAIN WITHIN DIMENSIONS THIRD ANGLE PROJECTION DRAWING: <b>A1-SIZE</b> SERIES: <b>33481</b>	DOCUMENT NUMBER: <b>SD-33481-0001</b> DOC TYPE: PSD DOC PART: 001 REVISION: <b>A1</b>	MATERIAL NUMBER: SEE NOTE 2a. CUSTOMER: GENERAL MARKET SHEET NUMBER: 1 OF 9
	DOCUMENT STATUS: P1 RELEASE DATE: 2018/10/04 15:02:02	MOLEX ELECTRONIC TECHNOLOGIES, LLC 1300 N. GARDEN AVENUE AVONDALE, AZ 85002-3900 TEL: 602-837-6000 FAX: 602-837-6001 WWW.MOLEX.COM		
	18 17 16 15 14 13 12 11 10 9 8 7 6 5 4 3 2 1			

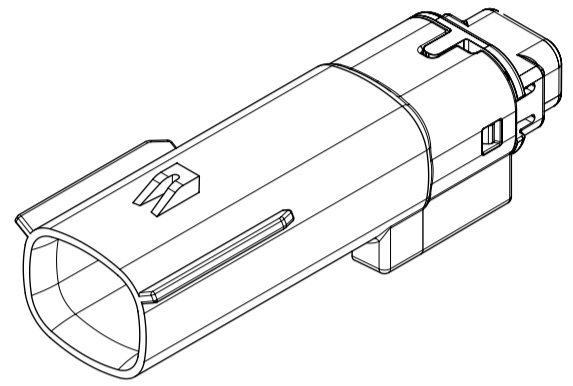
**SHEET DESCRIPTION**  
CONFIGURATIONS



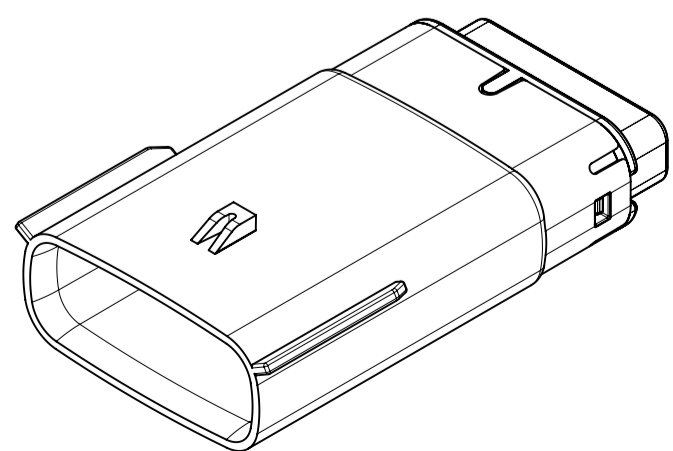
UL V0 UNIQUE FEATURE  
Partial1  
SCALE 10:1



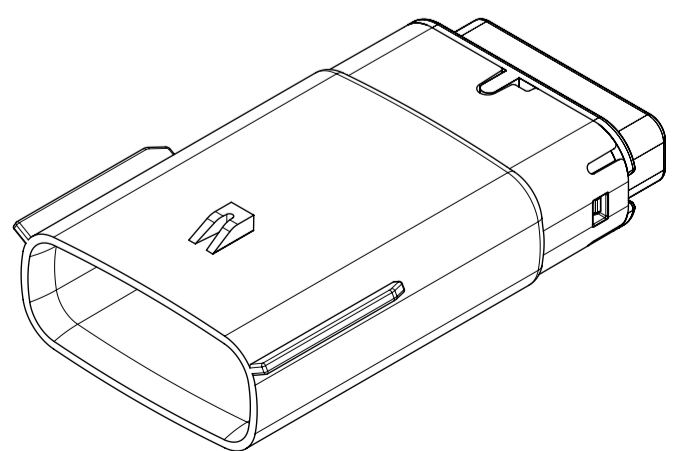
1x2 - STD



1X2 - UL V0\*



1x6 - STD

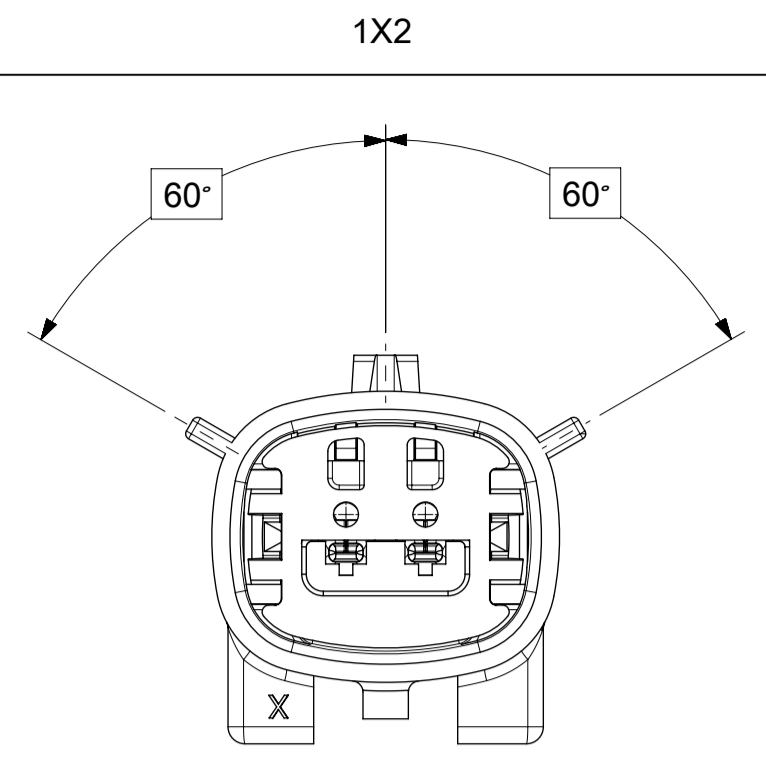


1x6 - UL V0\*

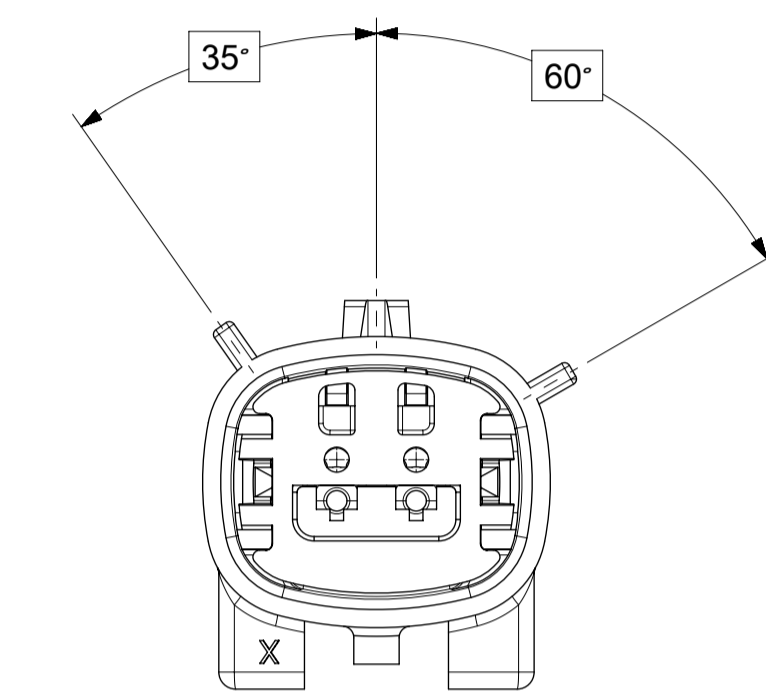
\* MINOR GEOMETRY DIFFERENCE THAN STANDARD CONFIGURATION.  
SEE NOTES 1 & 2 FOR MORE INFORMATION

SYMBOLS	THIS DRAWING CONTAINS INFORMATION THAT IS PROPRIETARY TO MOLEX ELECTRONIC TECHNOLOGIES, LLC AND SHOULD NOT BE USED WITHOUT WRITTEN PERMISSION		CURRENT REV DESC:					
	DIMENSION UNITS	SCALE						EC NO: 602373
▽ = 0	MM ONLY	1.5:1	GENERAL TOLERANCES (UNLESS SPECIFIED)		CHK'D: MVANSLAMBROU	2018/10/04	PRODUCT CUSTOMER DRAWING	
▽ = 0	ANGULAR TOL ± 1.0°		4 PLACES ±		APPR: MVANSLAMBROU	2018/10/04	DOCUMENT NUMBER	DOC TYPE   DOC PART   REVISION
▽ = 0	3 PLACES ±		2 PLACES ± 0.1		INITIAL REVISION:		SD-33481-0001	PSD 001 A1
▽ = 0	1 PLACE ± 0.2		0 PLACES ±		DRWN: APROFFITT	2015/07/21	MATERIAL NUMBER	CUSTOMER
▽ = 0	DRAFT WHERE APPLICABLE MUST REMAIN WITHIN DIMENSIONS		THIRD ANGLE PROJECTION		APPR: KDEKOSKI	2016/06/14	SEE NOTE 2a.	GENERAL MARKET
▽ = 0			DRAWING		SERIES		SHEET NUMBER	
		A1-SIZE		33481		2 OF 9		

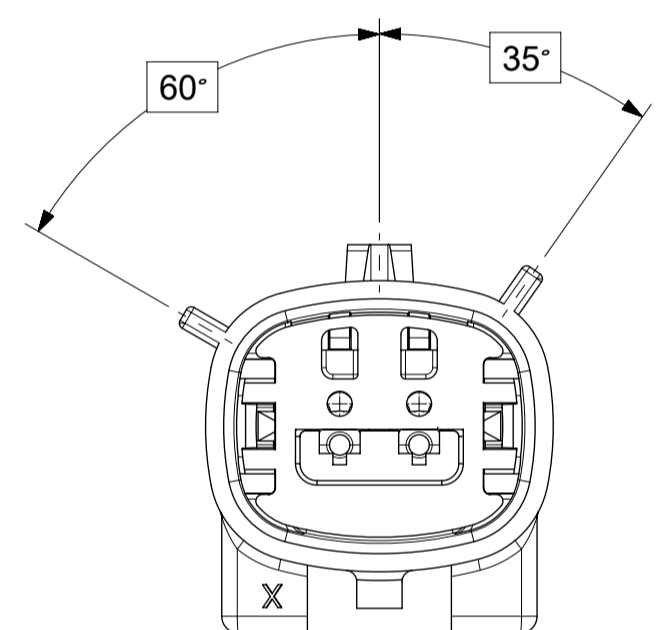
**SHEET DESCRIPTION**  
KEY CONFIGURATIONS



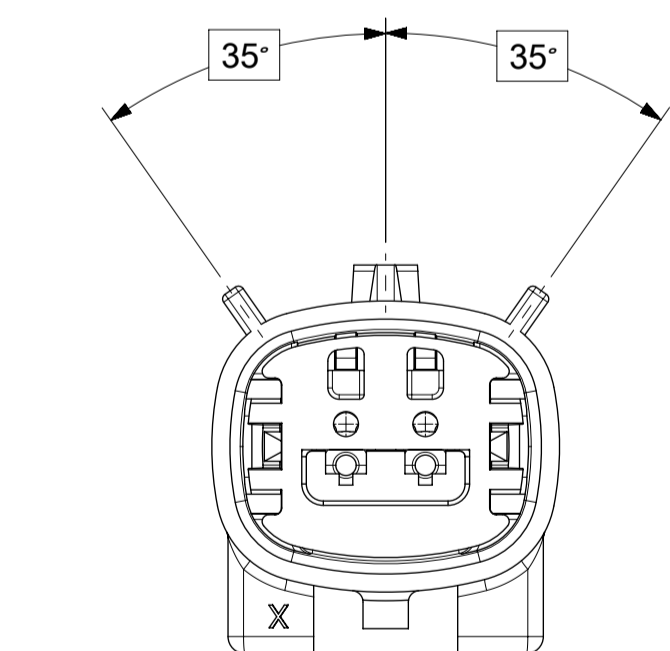
KEY A



KEY B



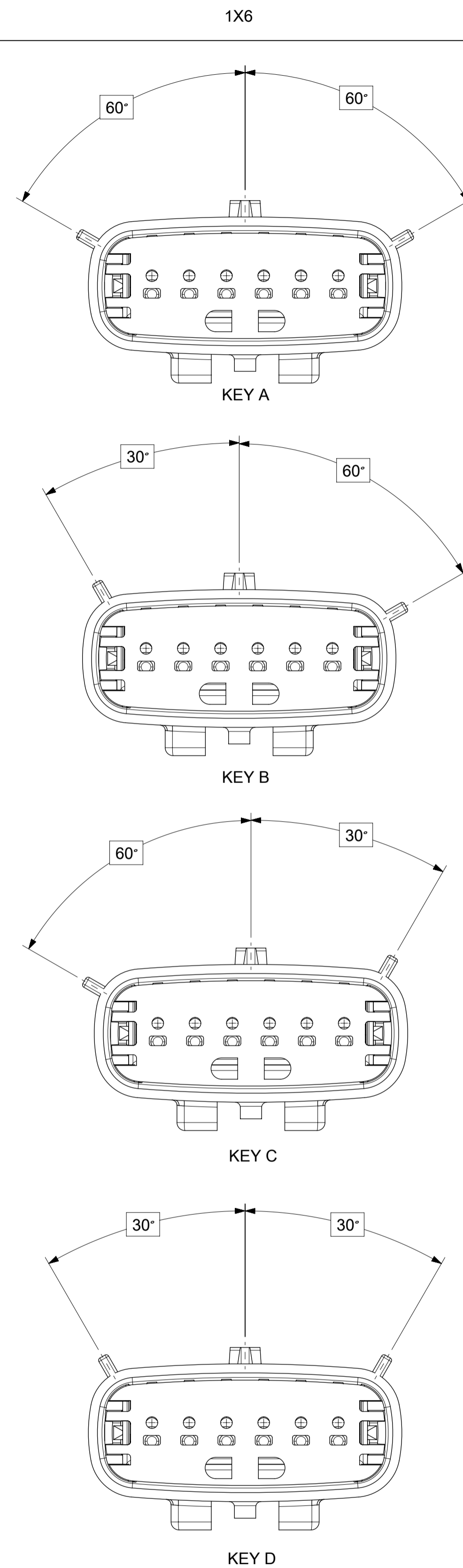
KEY C



KEY D

<b>SYMBOLS</b> = 0 = 0 = 0 = 0 = 0 = 0 = 0 = 0 = 0 = 0	THIS DRAWING CONTAINS INFORMATION THAT IS PROPRIETARY TO MOLEX ELECTRONIC TECHNOLOGIES, LLC AND SHOULD NOT BE USED WITHOUT WRITTEN PERMISSION		CURRENT REV DESC:		 MX150 BLADE SINGLE ROW SEALED ASSY MAT SEAL			
	DIMENSION UNITS	SCALE	EC NO: 602373					DOCUMENT NUMBER
	MM ONLY	3:1	DRWN: DSHETTY01 2018/05/25		SD-33481-0001	PSD	001	A1
	GENERAL TOLERANCES (UNLESS SPECIFIED)		CHK'D: MVANSLAMBROU 2018/10/04		PRODUCT CUSTOMER DRAWING			
	ANGULAR TOL ± 1.0°		APPR: MVANSLAMBROU 2018/10/04		INITIAL REVISION:			
	4 PLACES ±		DRWN: APROFFITT 2015/07/21		SEE NOTE 2a.			
	3 PLACES ±		APPR: KDEKOSKI 2016/06/14		GENERAL MARKET			
	2 PLACES ± 0.1		DRAWING		SHEET NUMBER			
	1 PLACE ± 0.2		SERIES		3 OF 9			
	0 PLACES ±		THIRD ANGLE PROJECTION		MATERIAL NUMBER			
DRAFT WHERE APPLICABLE MUST REMAIN WITHIN DIMENSIONS		DRAWING		CUSTOMER				
		A1-SIZE		GENERAL MARKET				
		33481		SEE NOTE 2a.				

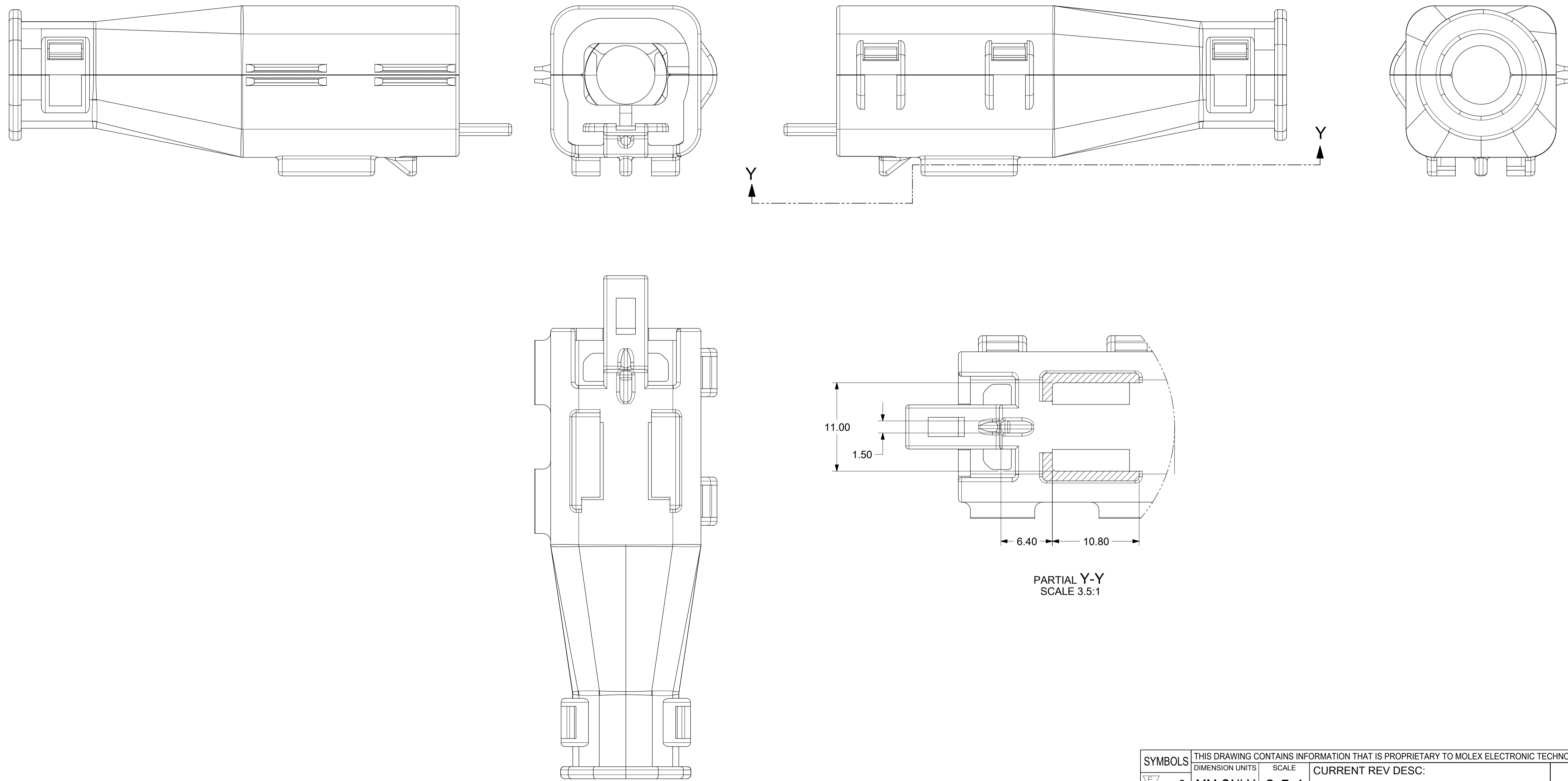
**SHEET DESCRIPTION**  
KEY CONFIGURATIONS CONT.



<b>SYMBOLS</b> = 0 = 0 = 0 = 0 = 0 = 0 = 0 = 0 = 0	THIS DRAWING CONTAINS INFORMATION THAT IS PROPRIETARY TO MOLEX ELECTRONIC TECHNOLOGIES, LLC AND SHOULD NOT BE USED WITHOUT WRITTEN PERMISSION DIMENSION UNITS: <b>MM ONLY</b> SCALE: <b>3:1</b>	CURRENT REV DESC: EC NO: 602373 DRWN: DSHETTY01 2018/05/25 CHK'D: MVANSLAMBROU 2018/10/04 APPR: MVANSLAMBROU 2018/10/04	 MX150 BLADE SINGLE ROW SEALED ASSY MAT SEAL		
	GENERAL TOLERANCES (UNLESS SPECIFIED) ANGULAR TOL ± 1.0° 4 PLACES ± 3 PLACES ± 2 PLACES ± 0.1 1 PLACE ± 0.2 0 PLACES ±	INITIAL REVISION: DRWN: APROFFITT 2015/07/21 APPR: KDEKOSKI 2016/06/14			
DRAFT WHERE APPLICABLE MUST REMAIN WITHIN DIMENSIONS	THIRD ANGLE PROJECTION 	DRAWING: <b>A1-SIZE</b> SERIES: <b>33481</b>	MATERIAL NUMBER: SEE NOTE 2a. CUSTOMER: GENERAL MARKET	SHEET NUMBER: <b>4 OF 9</b>	



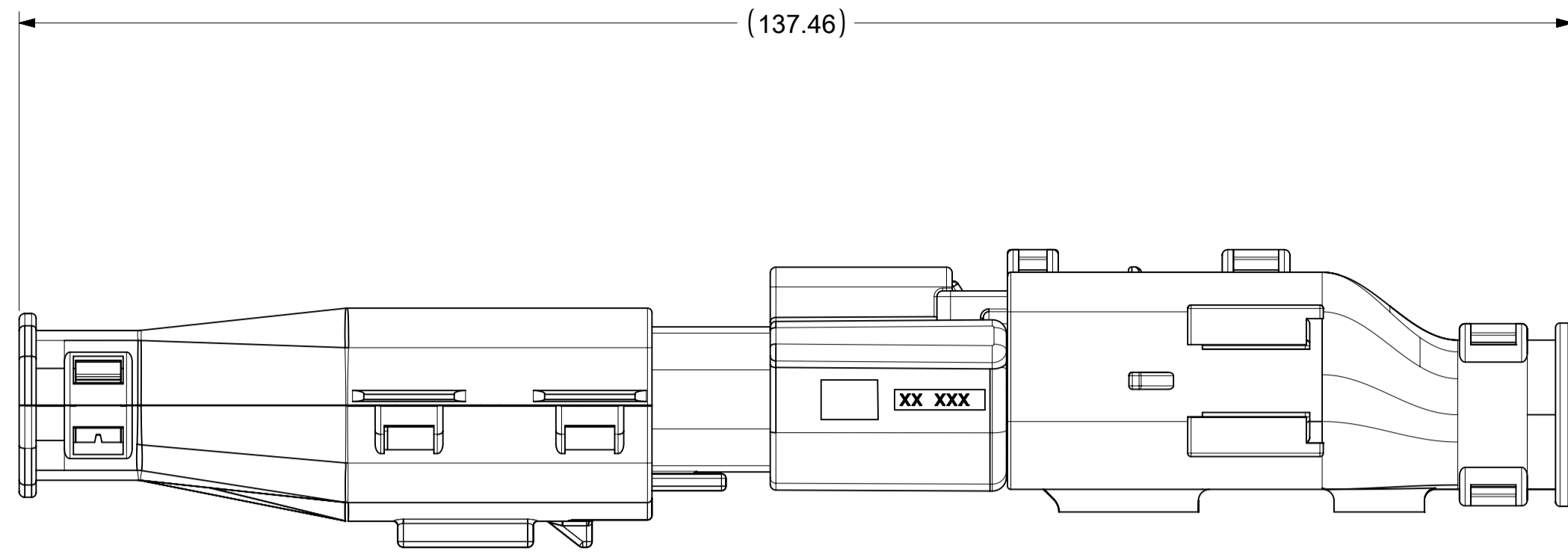
SHEET DESCRIPTION  
BACKSHELL



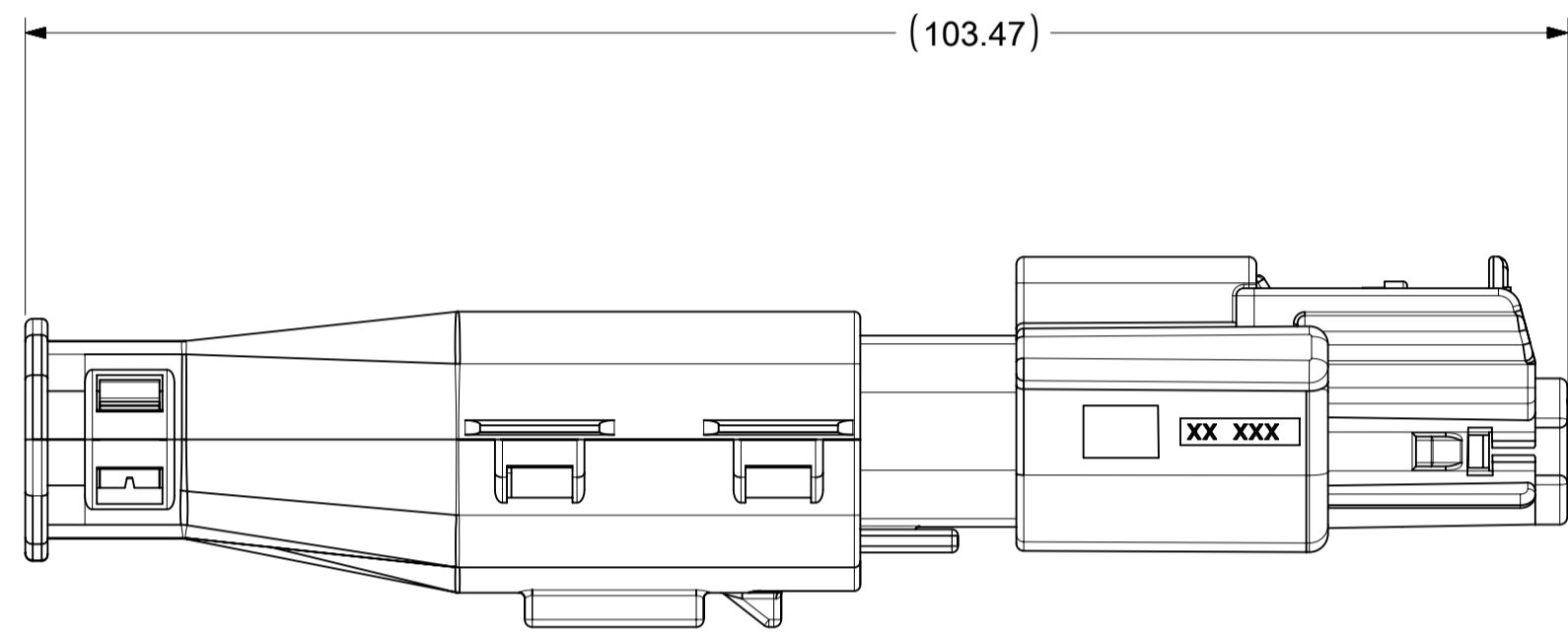
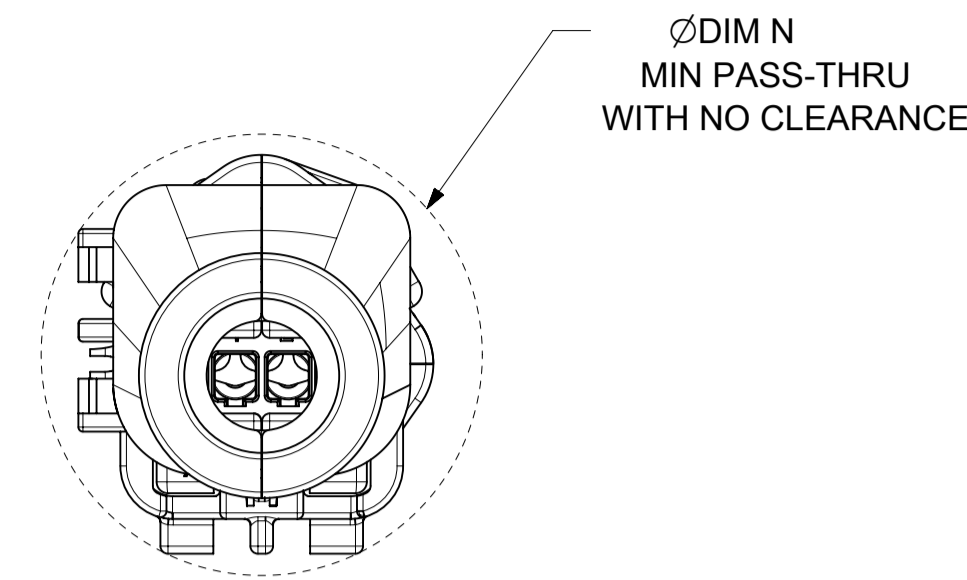
<b>SYMBOLS</b> ▽ = 0 ▽ = 0 ▽ = 0 ▽ = 0 ▽ = 0 ▽ = 0 ▽ = 0 ▽ = 0 ▽ = 0 ▽ = 0 ▽ = 0	THIS DRAWING CONTAINS INFORMATION THAT IS PROPRIETARY TO MOLEX ELECTRONIC TECHNOLOGIES, LLC AND SHOULD NOT BE USED WITHOUT WRITTEN PERMISSION	CURRENT REV DESC:		 MX150 BLADE SINGLE ROW SEALED ASSY MAT SEAL				
	DIMENSION UNITS	SCALE	EC NO: 602373				DOCUMENT NUMBER	DOC TYPE
	MM ONLY	3.5:1	DRWN: DSHETTY01 2018/05/25		SD-33481-0001	PSD	001	A1
	GENERAL TOLERANCES (UNLESS SPECIFIED)		CHK'D: MVANSLAMBROU 2018/10/04		PRODUCT CUSTOMER DRAWING			
	ANGULAR TOL ± 1.0°		APPR: MVANSLAMBROU 2018/10/04		INITIAL REVISION:			
	4 PLACES ±		DRWN: APROFFITT 2015/07/21		MATERIAL NUMBER			
	3 PLACES ±		APPR: KDEKOSKI 2016/06/14		CUSTOMER			
	2 PLACES ± 0.1		DRAFT WHERE APPLICABLE MUST REMAIN WITHIN DIMENSIONS		SEE NOTE 2a.			
	1 PLACE ± 0.2		THIRD ANGLE PROJECTION	DRAWING	SERIES	SHEET NUMBER		
	0 PLACES ±			A1-SIZE	33481	8 OF 9		

**SHEET DESCRIPTION**  
BACKSHELL CONFIGURATIONS

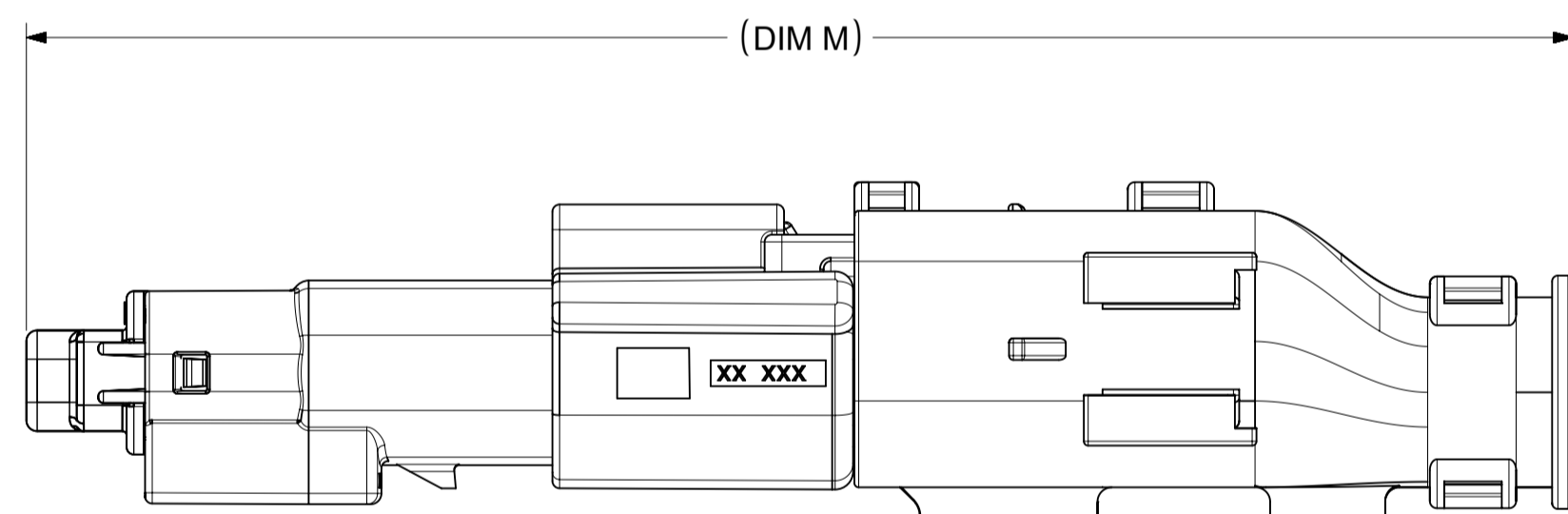
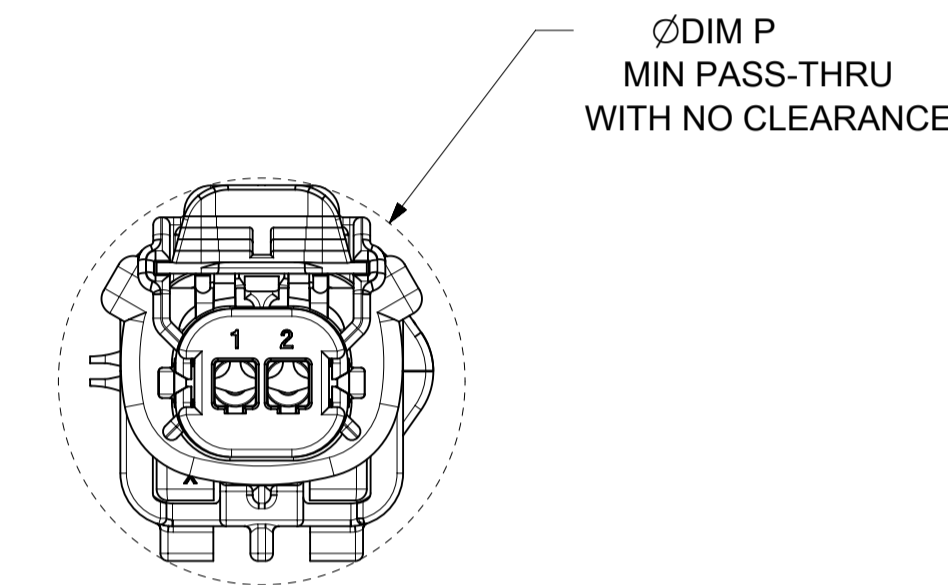
CKT	BLADE CONFIGURATION	RECEPTACLE CONFIGURATION	DIMENSIONS				
			M	N	P	R	S
1X2	STANDARD	STANDARD	107.84	29.50	27.00	26.25	25.00



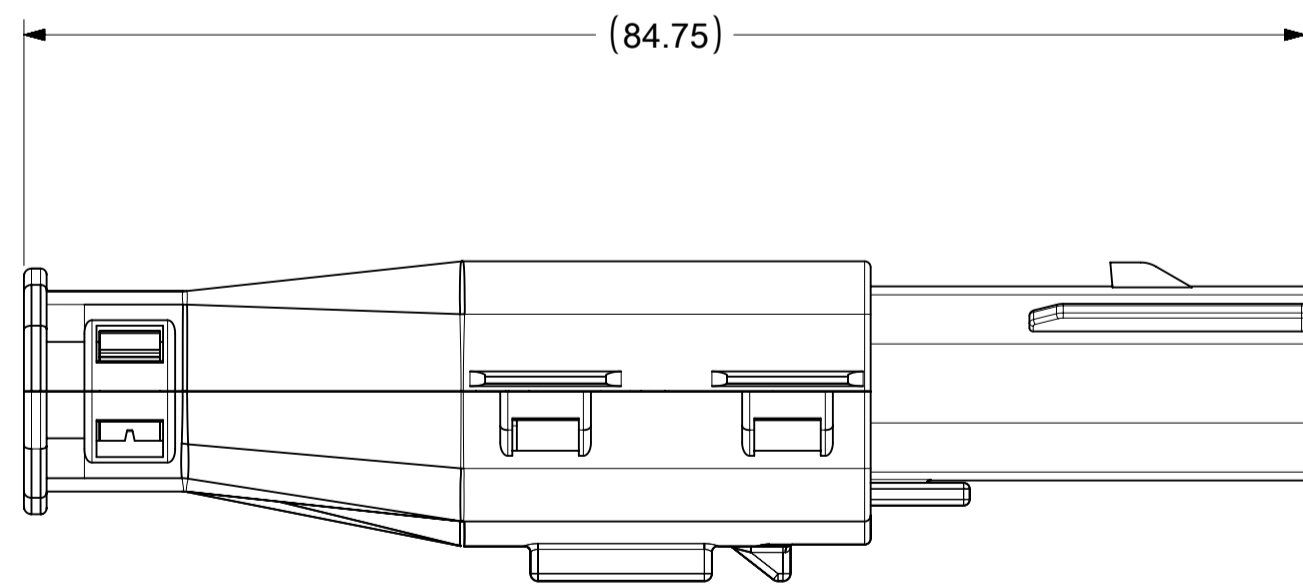
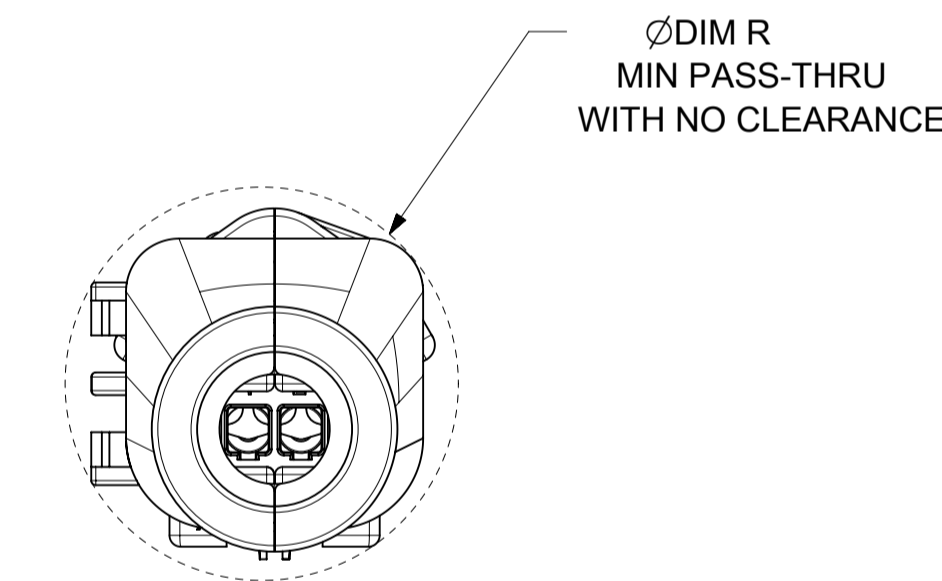
OVERALL MATED SYSTEM WITH BLADE AND RECEPTACLE BACKSHELL



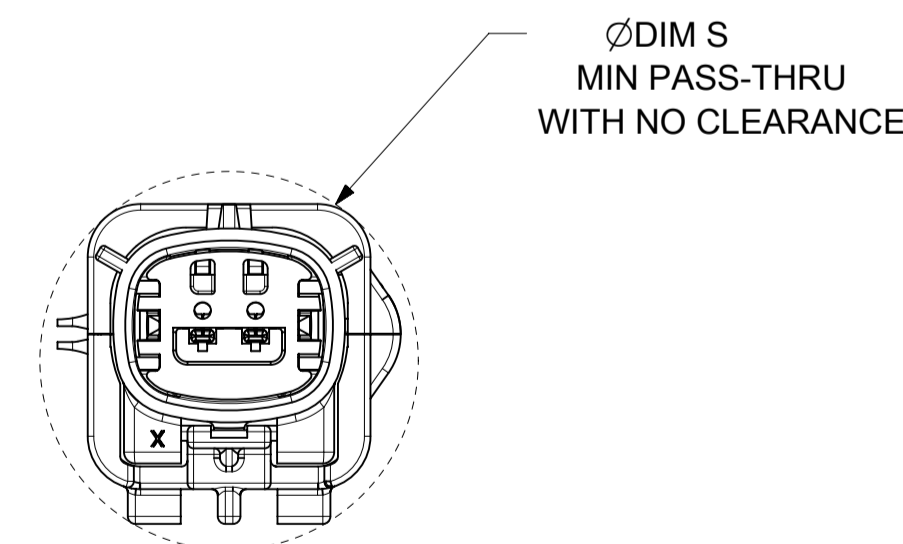
OVERALL MATED SYSTEM WITH BLADE BACKSHELL



OVERALL MATED SYSTEM WITH RECEPTACLE BACKSHELL



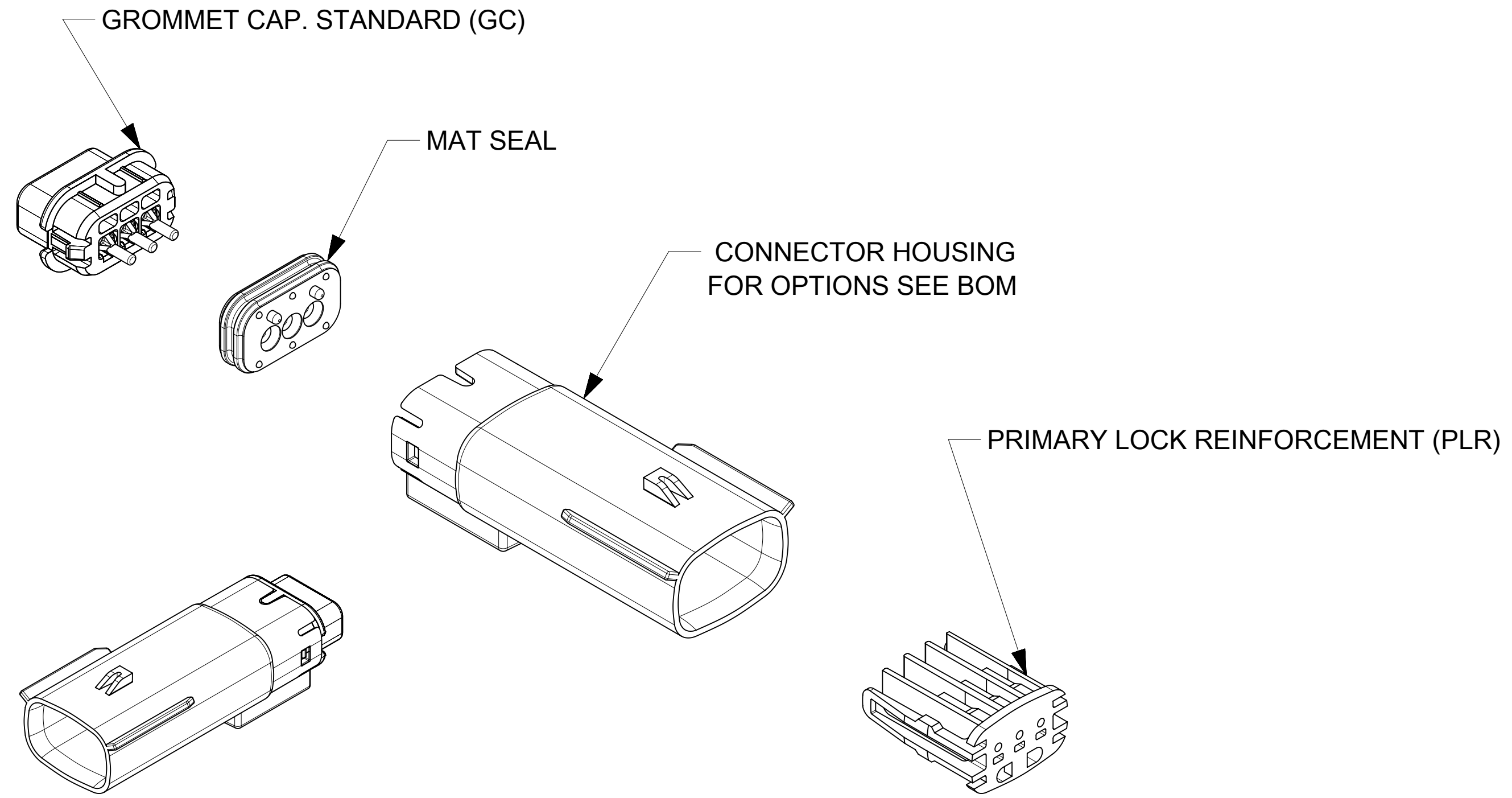
BLADE SEALED ASSEMBLY WITH BLADE BACKSHELL



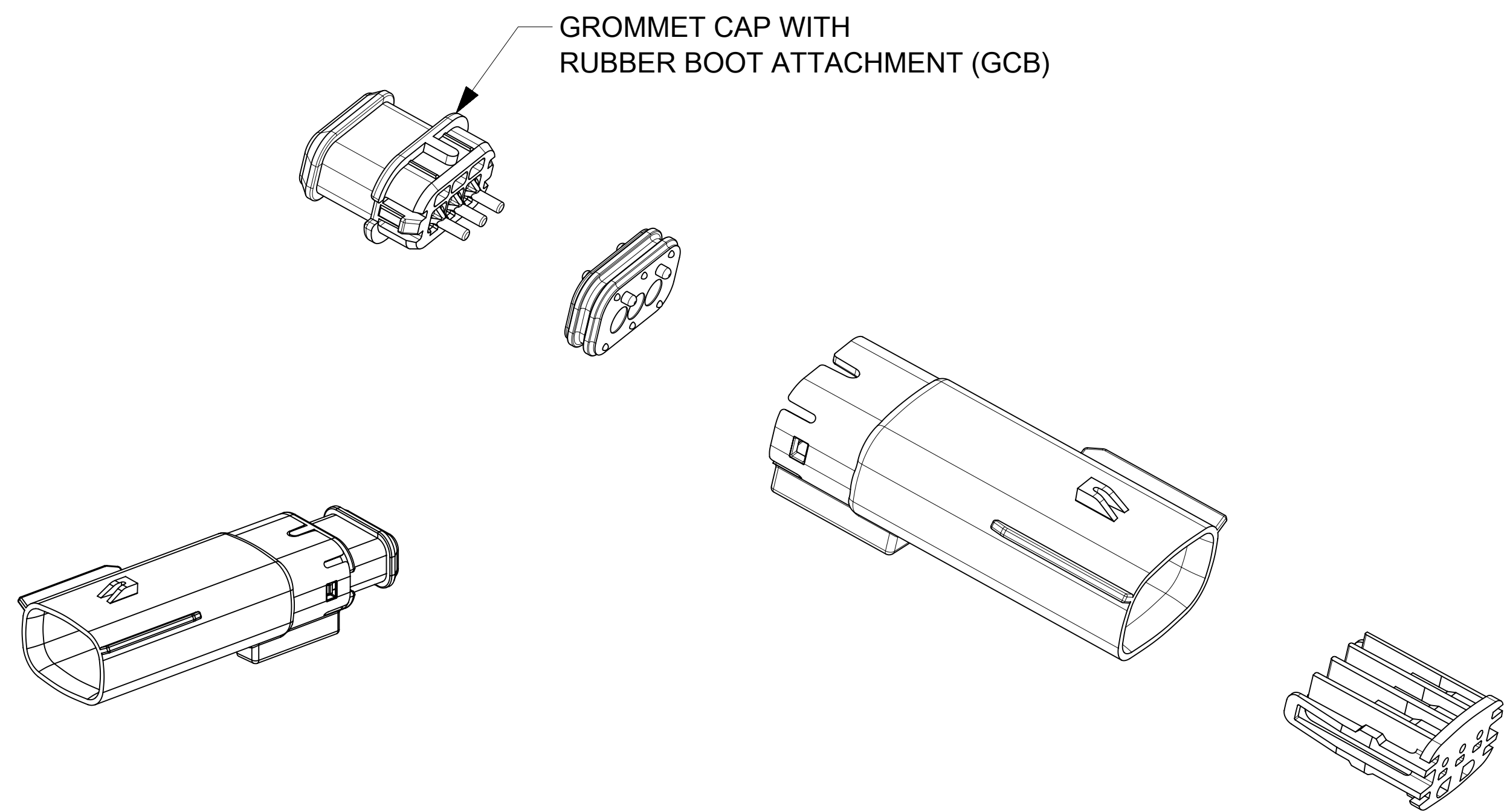
<b>SYMBOLS</b> = 0 	THIS DRAWING CONTAINS INFORMATION THAT IS PROPRIETARY TO MOLEX ELECTRONIC TECHNOLOGIES, LLC AND SHOULD NOT BE USED WITHOUT WRITTEN PERMISSION DIMENSION UNITS: <b>MM ONLY</b> SCALE: <b>2:1</b> GENERAL TOLERANCES (UNLESS SPECIFIED) ANGULAR TOL: ± 1.0° 4 PLACES ± 3 PLACES ± 2 PLACES ± 0.1 1 PLACE ± 0.2 0 PLACES ± DRAFT WHERE APPLICABLE MUST REMAIN WITHIN DIMENSIONS	CURRENT REV DESC:  EC NO: 602373 DRWN: DSHETTY01 2018/05/25 CHK'D: MVANSLAMBROU 2018/10/04 APPR: MVANSLAMBROU 2018/10/04  INITIAL REVISION: DRWN: APROFFITT 2015/07/21 APPR: KDEKOSKI 2016/06/14	  MX150 BLADE SINGLE ROW SEALED ASSY MAT SEAL  PRODUCT CUSTOMER DRAWING
	DOCUMENT STATUS: P1 RELEASE DATE: 2018/10/04 15:02:02	DRAWING: A1-SIZE SERIES: 33481	DOCUMENT NUMBER: SD-33481-0001 DOC TYPE: PSD DOC PART: 001 REVISION: A1



TABLE OF CONTENTS	
SHEET NO.	SHEET DESCRIPTION
1	NOTES
2	KEY CONFIGURATIONS
3	BLADE SEALED ASSEMBLY
4	SYSTEM PACKAGING
5	RUBBER BOOT CONFIGURATION
6	BOM
7	RUBBER BOOT INTERFACE



MX150 1X3 BLADE SEALED ASSEMBLY - STANDARD (STD)



MX150 1X3 BLADE SEALED ASSEMBLY - RUBBER BOOT CONFIGURATION  
UNLESS COMPONENT NOTED, SEE STANDARD ASSEMBLY

NOTES: VALID UNLESS OTHERWISE SPECIFIED

1. GENERAL:

- a. APPLICATION SPECIFICATION SEE: AS-33472-100
  - CONTAINS: PRODUCT INTRODUCTION, PRODUCT SUMMARY, CONNECTOR ASSEMBLY, PACKAGING INFORMATION, CONNECTOR MATING, SERVICE INSTRUCTIONS, ELECTRICAL CONTINUITY CHECKING, CRIMPING, AND TROUBLESHOOTING.
  - DESIGNED TO MATE WITH RECEPTACLE SEALED ASSEMBLY SPECIFIED IN MOLEX DRAWING SD-33471-031.
  - FOR 1.5mm BLADE TERMINALS TO BE USED WITH THIS ASSEMBLY SEE MOLEX DRAWING SD-33000-001.
  - SYSTEM TO BE USED WITH WIRE WITHIN DIAMETER RANGE OF 1.2mm TO 2.69mm.
  - ASSEMBLY SHIPPED WITH PLR IN PRE-LOCK POSITION
  - IN THE EVENT THAT THE PLR IS FOUND IN THE SEATED (FINAL LOCK) POSITION, REFER TO MOLEX SPECIFICATION PS-34646-001, AVAILABLE AT [www.molex.com](http://www.molex.com) <<http://www.molex.com>>
  - ASSEMBLY CONFORMS TO SAE/USCAR-2 REV.4 WITH THE FOLLOWING EXCEPTIONS: TERMINAL INSERTION FORCE FOR WIRE DIAMETER ABOVE 2.5mm NOT EXCEEDING 2.69mm SHALL NOT EXCEED 45 NEWTONS.
- b. PRODUCT SPECIFICATION SEE: PS-33471-000
  - CONTAINS: PRODUCT INTRODUCTION, PRODUCT SUMMARY, RATINGS (CURRENT, TEMPERATURE, SEALING, AND FLAMMABILITY), AND PRODUCT VALIDATION.
- c. PACKAGING SPECIFICATION PER MOLEX DRAWING: PK-31300-635
- d. PARTS MUST BE IN COMPLIANCE TO MOLEX CHEMICAL SUBSTANCES FOR PRODUCTS AND PACKAGING SPECIFICATION: ES-40000-5016
- e. DATA MUST BE SUBMITTED UNDER THE MOLEX PART NUMBER TO IMDS (COMPANY ID#13255)

2. DESIGN - MATERIALS:

- a. CONNECTOR HOUSING, GROMMET CAP, PLR: SPS/NYLON BLEND 20% GLASS FILLED
- b. MAT SEAL: INHERENTLY LUBRICATED SILICONE

3. DESIGN - GEOMETRY:

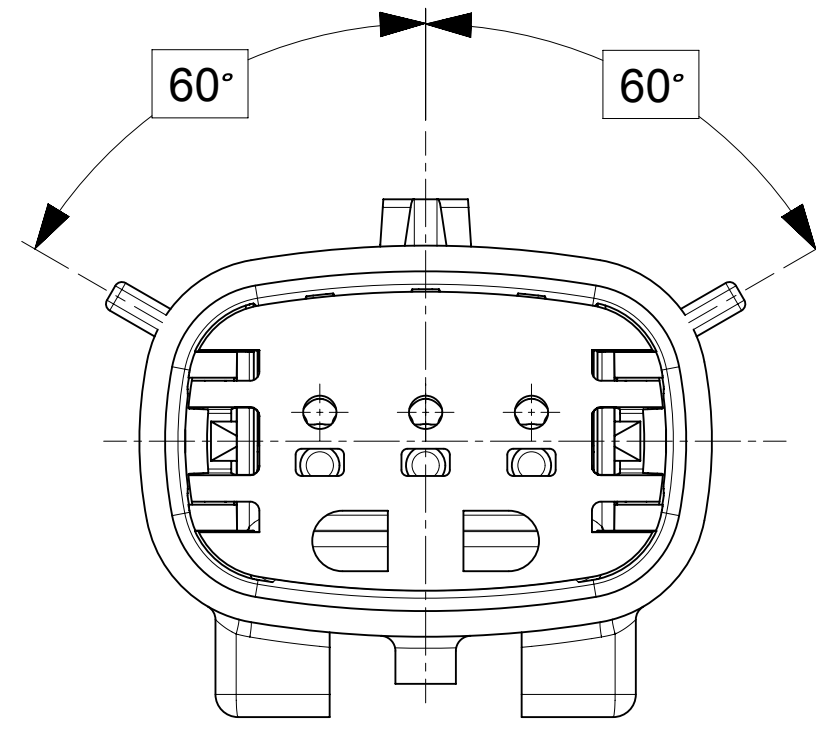
- a. THIS IS A 100% CAD GENERATED PART. THE CAD MATHEMATICAL DATA IS THE MASTER FOR THIS PART. FOR DIMENSIONAL OR ANY INFORMATION NOT SHOWN ON THIS DRAWING, ANALYZE THE CAD MODEL.
- b. GEOMETRIC DIMENSIONS AND TOLERANCES PER ASME Y14.5M - 1994
- c. EDGES AND UNDIMENSIONED DETAILS PER ISO13715
- d. CORNERS SHOWN AS SHARP TO BE R 0.2 MAX.
- e. LETTERING SHALL BE 0.15 MAX RAISED IN 0.25 MAX RECESS PAD. THIS INCLUDES RECYCLING CODE, CAVITY ID, VENDOR IDENTIFICATION, AND CUSTOMER MATERIAL NUMBER.
- f. VISUAL DEFECTS SHALL MEET COSMETIC STANDARD PS-45499-002 (Class B)
- g. LASER MARKING: TBD

INSPECTION NUMBER LOG  
LAST NUMBER USED: 21  
ADDED:  
REMOVED:

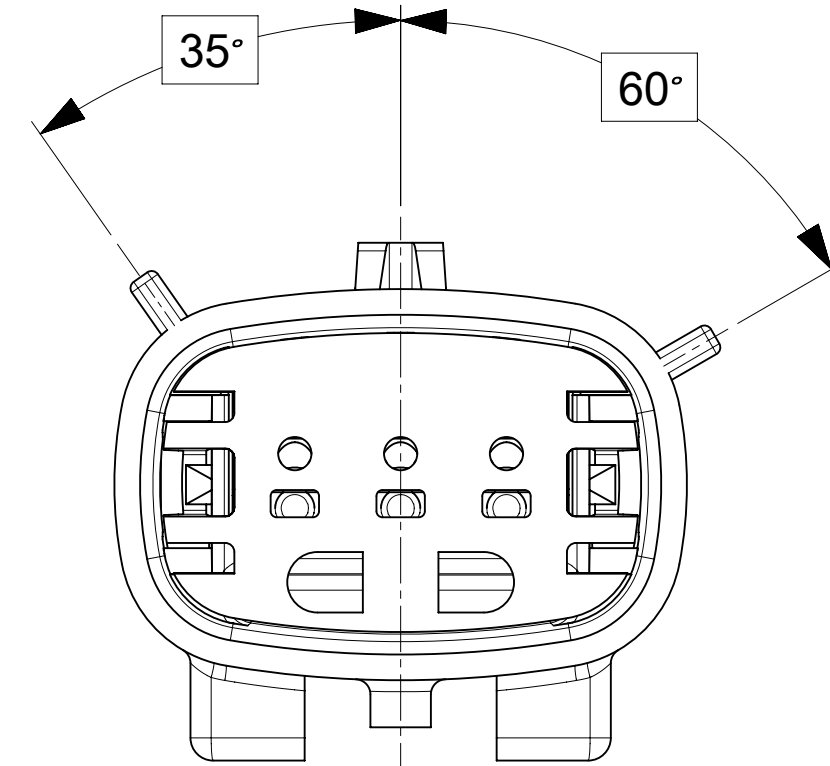
R5	ADDED STATUS COLUMN
R4	ADD P/Ns 33481-3301 TO 33481-3341
R3	DEVIATED THE DIM 16
R2	RELEASED P/N 33481-0341
R1	RELEASED P/N 33481-0340, DELETED P/N 33481-0331
R	ADD RUBBER BOOT CONFIGURATION
Q	UPDATE P/N 33481-0326 TO 33481-0330
P	ADD NEW P/N 33481-0326
N	UPDATED GROMMET CAP
M3	UPDATED DIMENSIONS TO MATCH MODEL
M2	COLOR REPLACEMENT FOR KEY C AND D PER USCAR STANDARD
M1	UPDATED NOTES
M	REDRAWN
REV	DESCRIPTION

THIS DRAWING CONTAINS INFORMATION THAT IS PROPRIETARY TO MOLEX ELECTRONIC TECHNOLOGIES, LLC AND SHOULD NOT BE USED WITHOUT WRITTEN PERMISSION									
DIMENSION UNITS		SCALE		CURRENT REV DESC: SEE REVISION TABLE					
mm		3:1		EC NO: 645317 DRWN: MKP 2020/08/10 CHK'D: MJMITCHELL 2020/09/21 APPR: MJMITCHELL 2020/09/21 INITIAL REVISION: DRWN: DMARCOUX 06-12-02 APPR: FHOLUB 06-12-02					
GENERAL TOLERANCES (UNLESS SPECIFIED)									
		MM	INCH						
4 PLACES	±								
3 PLACES	±								
2 PLACES	±	0.1							
1 PLACE	±	0.3							
0 PLACES	±								
ANGULAR TOL		± 3.0 °		DRAFT WHERE APPLICABLE MUST REMAIN WITHIN DIMENSIONS THIRD ANGLE PROJECTION D-DRAWING D-SIZE 33481					
DOCUMENT NUMBER		DOC TYPE		DOC PART		REVISION			
SD-33481-031		PSD		001		R5			
MATERIAL NUMBER		CUSTOMER		SHEET NUMBER					
SEE BOM		GENERAL MARKET		1 OF 7					

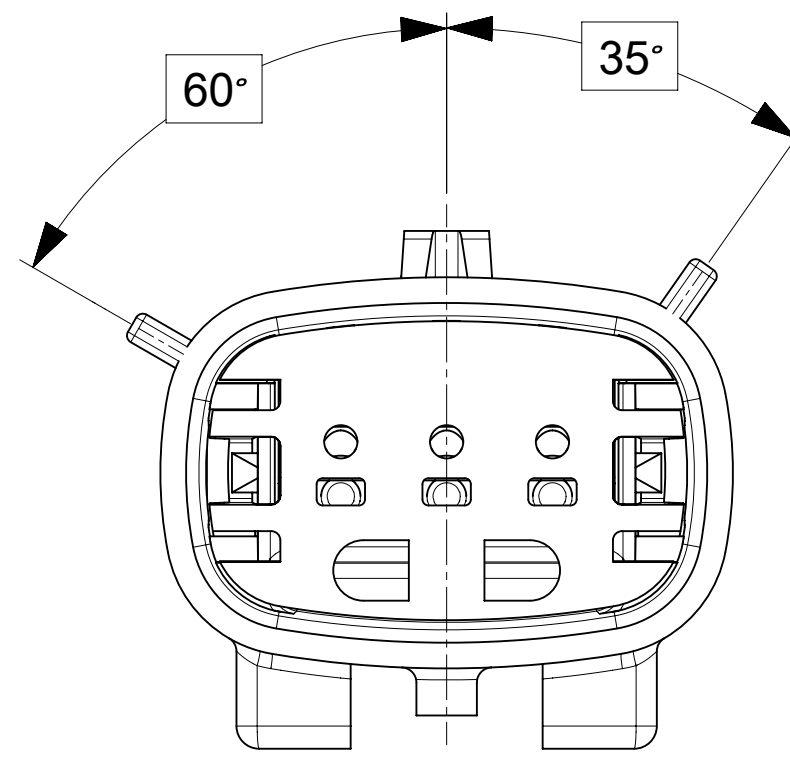




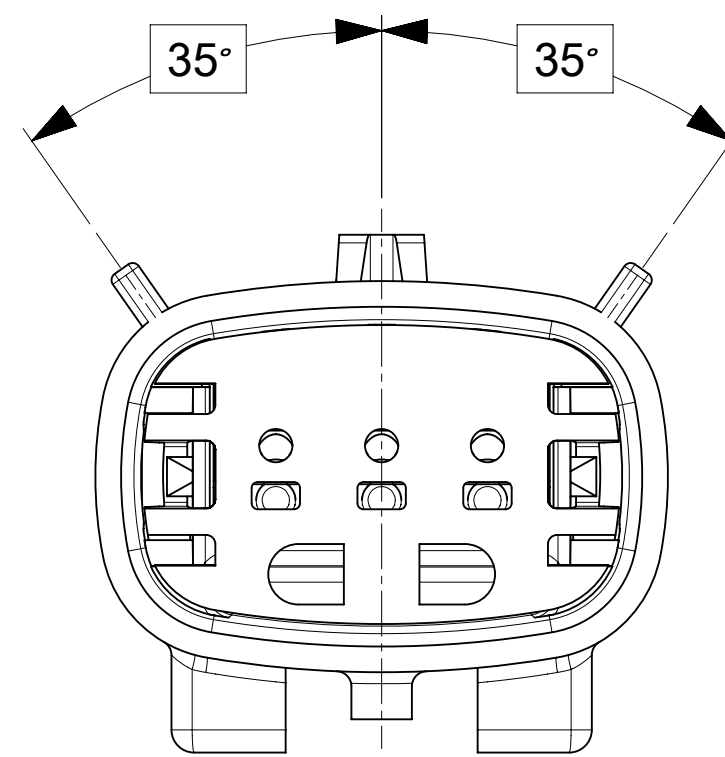
KEY A



KEY B


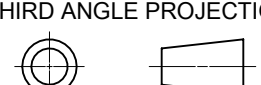


KEY C

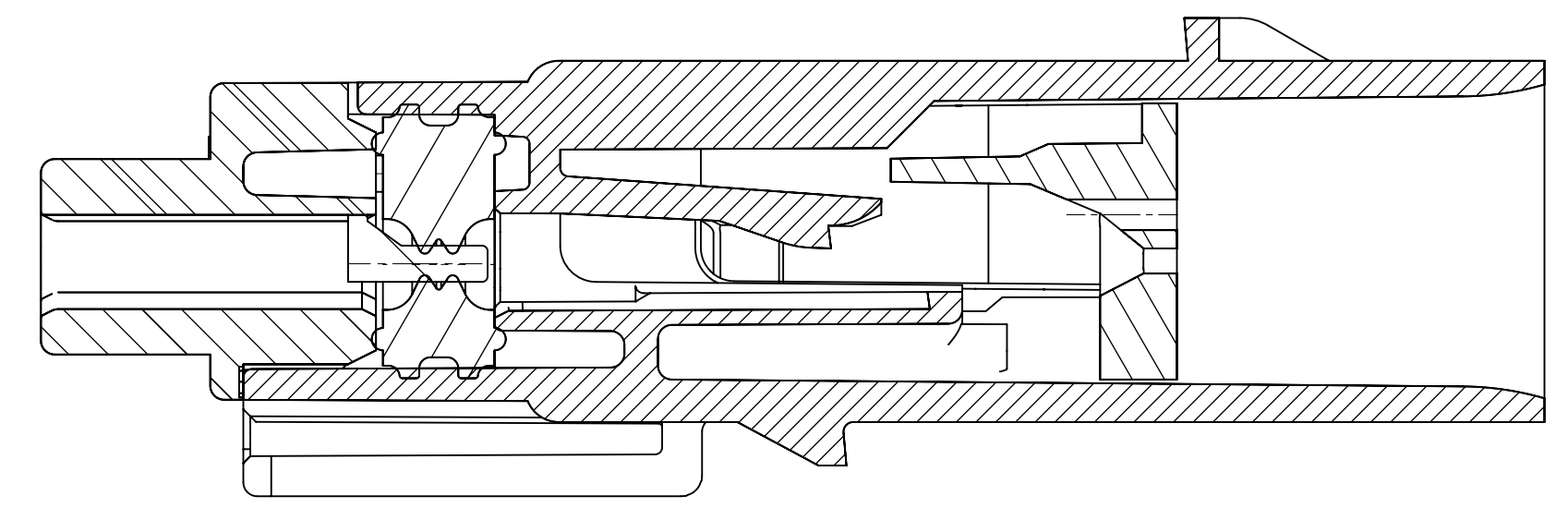
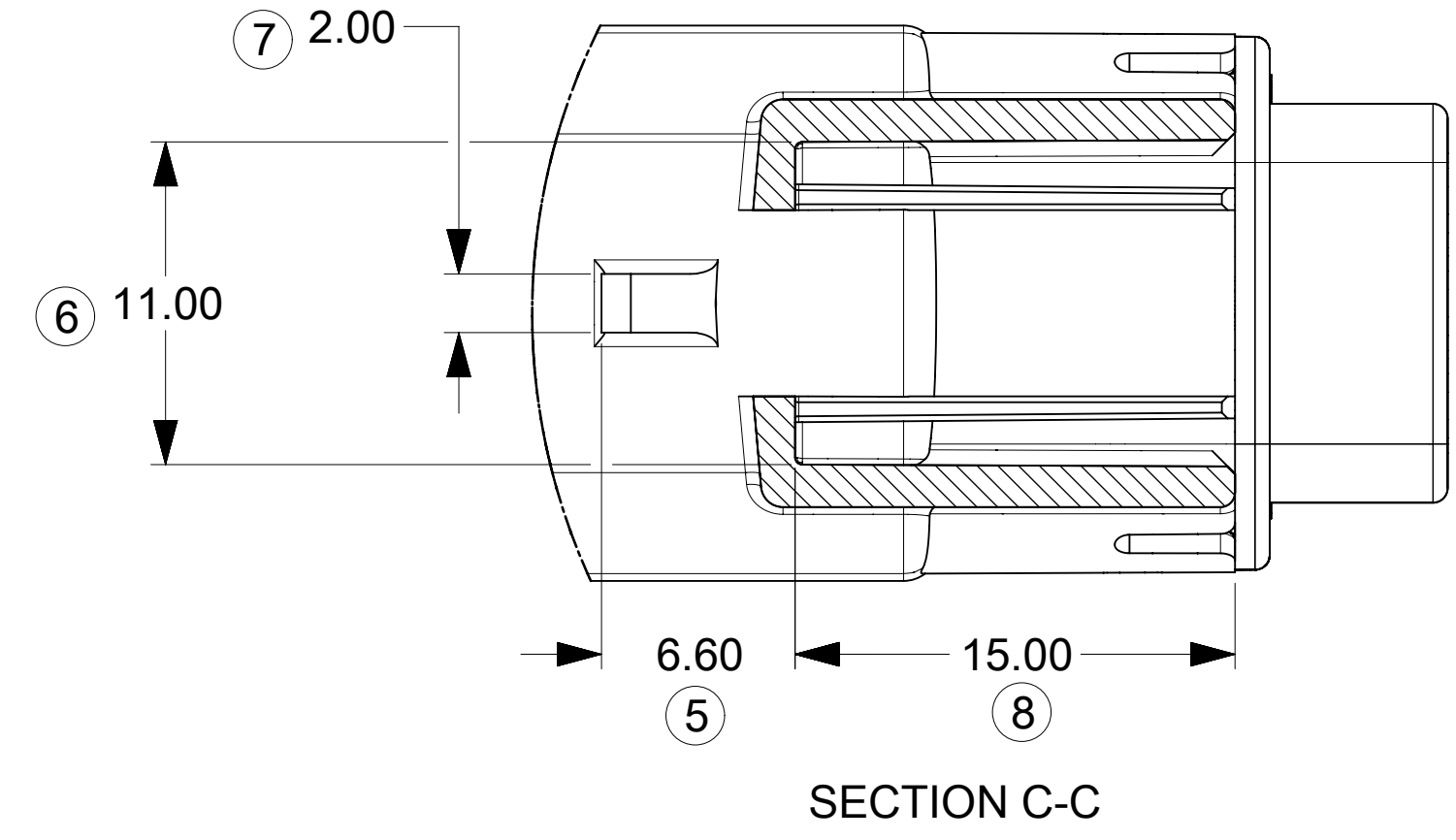
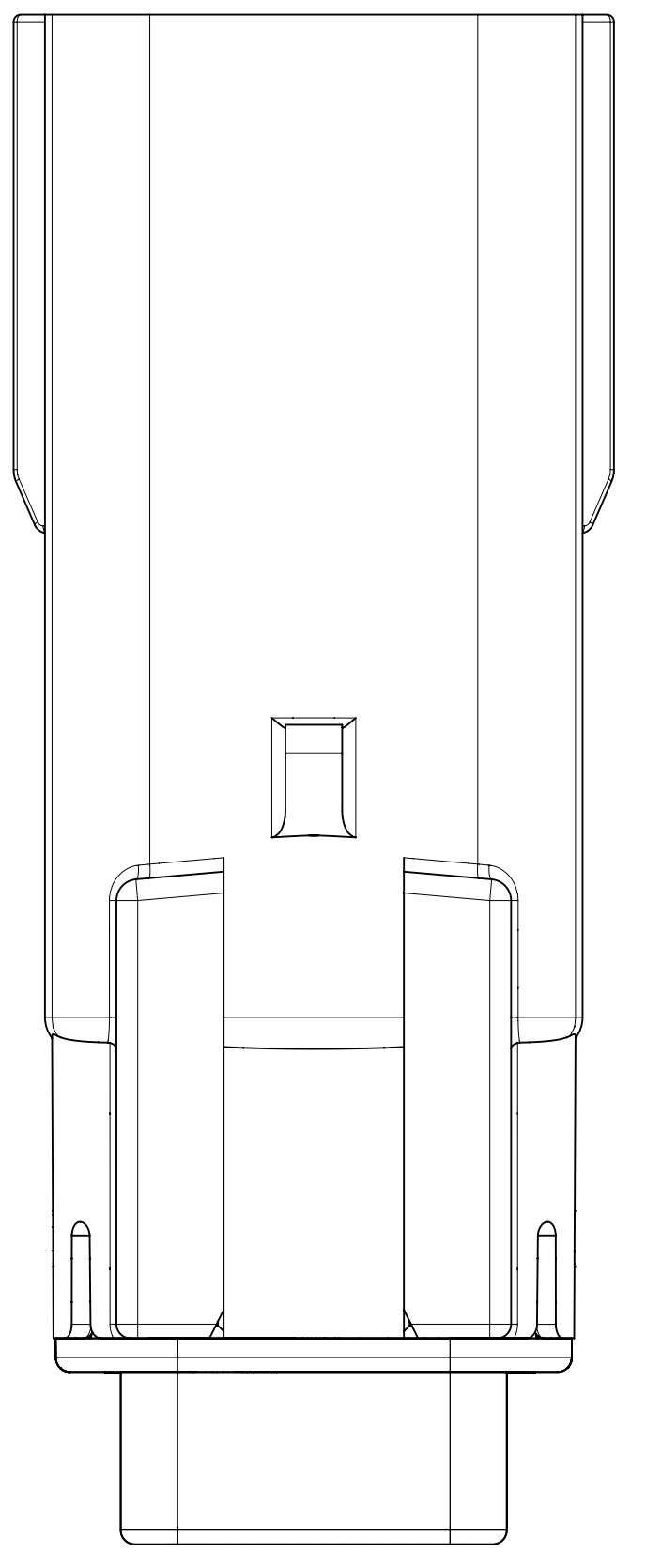
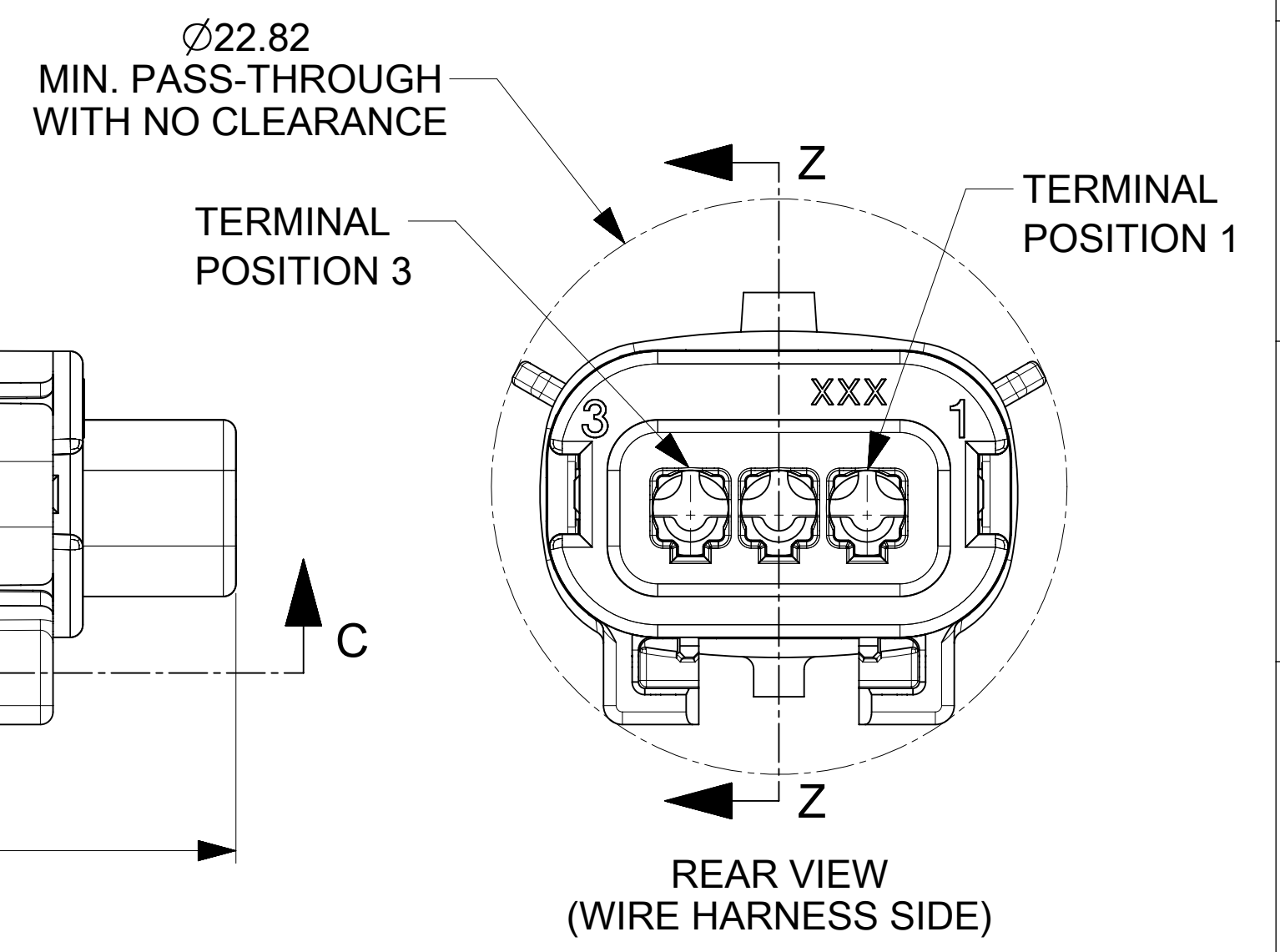
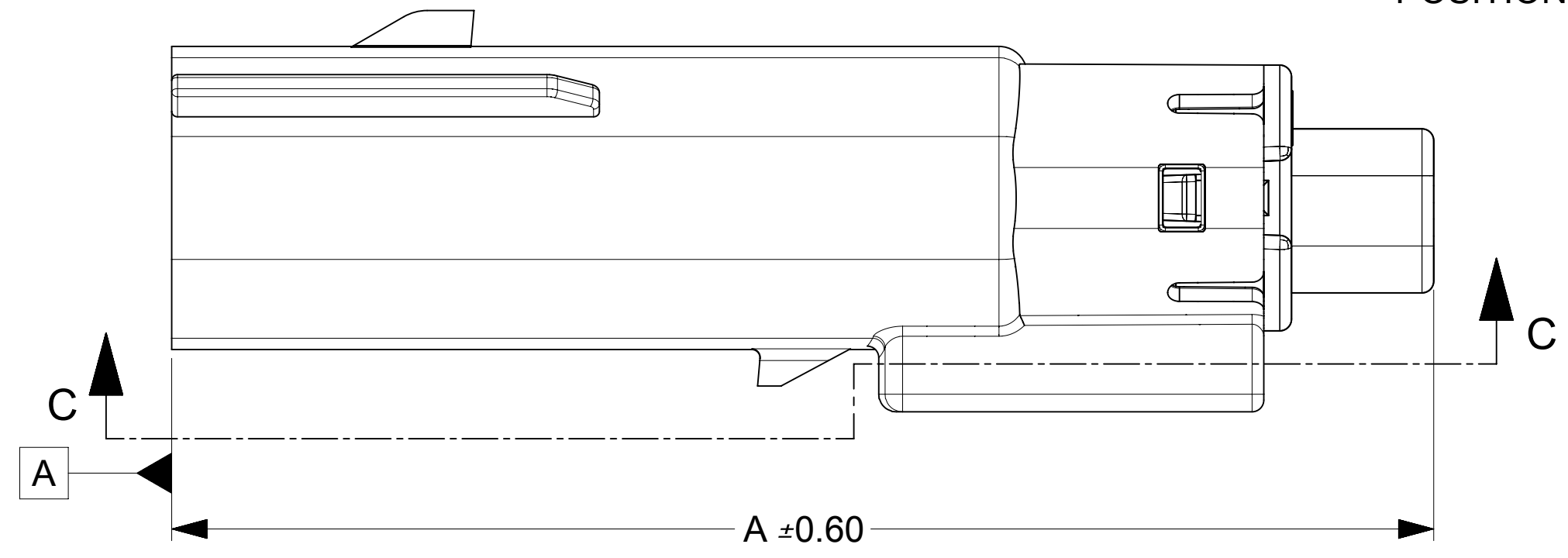
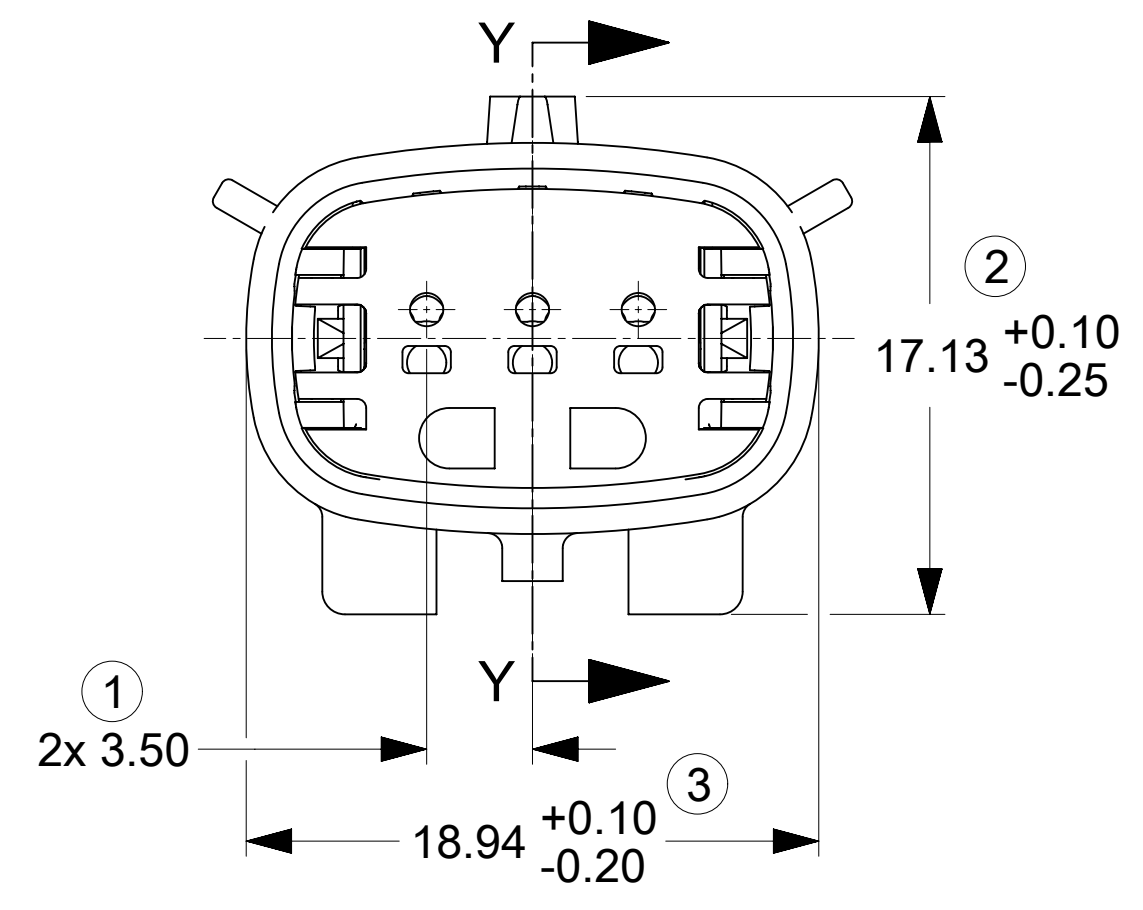
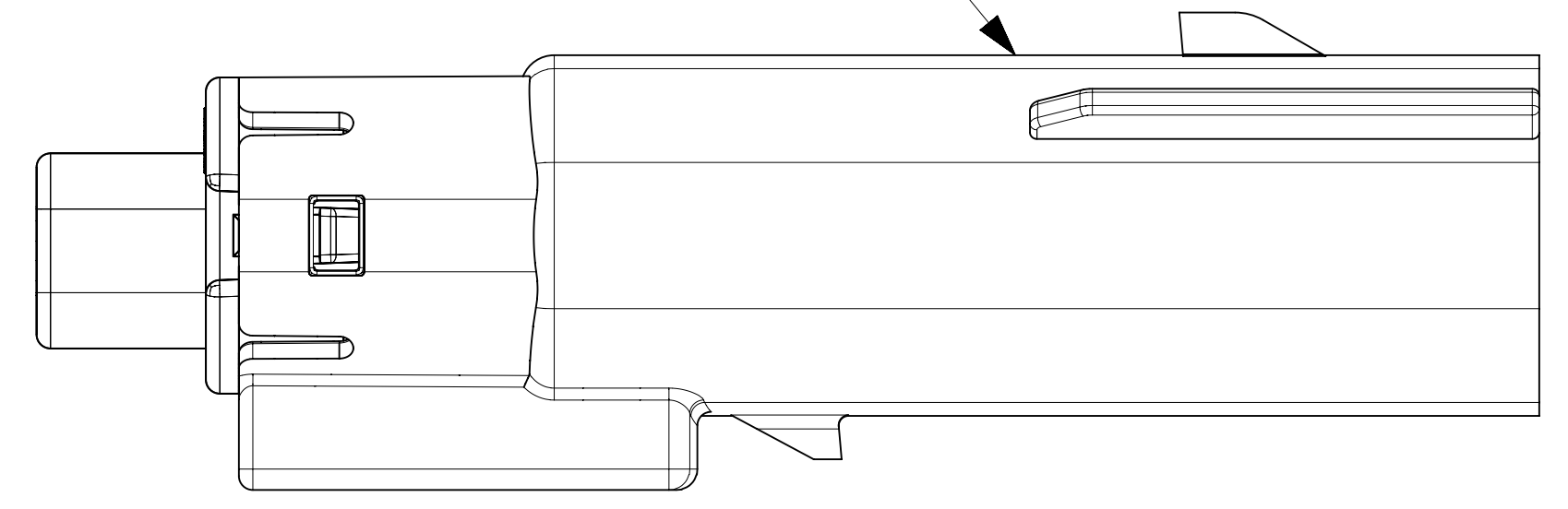


KEY D

THIS DRAWING CONTAINS INFORMATION THAT IS PROPRIETARY TO MOLEX ELECTRONIC TECHNOLOGIES, LLC AND SHOULD NOT BE USED WITHOUT WRITTEN PERMISSION

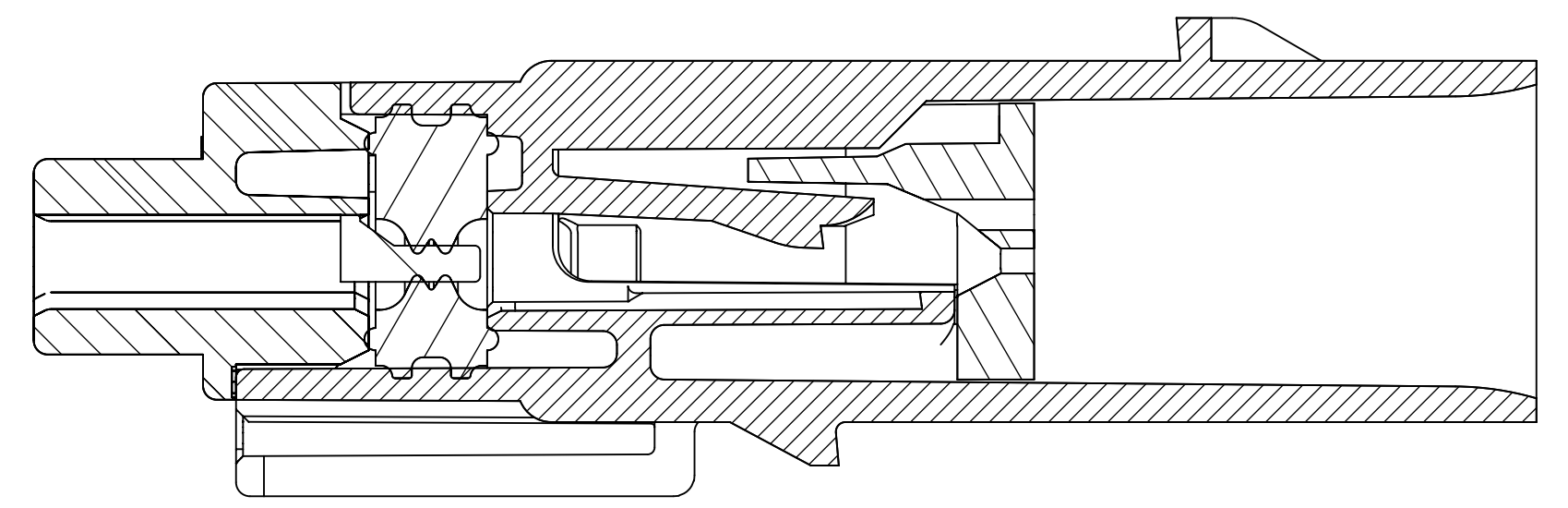
DIMENSION UNITS		SCALE		CURRENT REV DESC: SEE REVISION TABLE													
mm		4:1															
GENERAL TOLERANCES (UNLESS SPECIFIED)						EC NO: 645317				DOCUMENT NUMBER		DOC TYPE		DOC PART		REVISION	
		MM		INCH													
4 PLACES		±		±		DRWN: MKP 2020/08/10				SD-33481-031		PSD		001		R5	
3 PLACES		±		±		CHK'D: MJMITCHELL 2020/09/21											
2 PLACES		±		0.1		±		APPR: MJMITCHELL 2020/09/21				PRODUCT CUSTOMER DRAWING					
1 PLACE		±		0.3		±		INITIAL REVISION:									
0 PLACES		±		±		±		DRWN: DMARCOUX 06-12-02									
ANGULAR TOL		±		3.0 °		±		APPR: FHOLUB 06-12-02									
DRAFT WHERE APPLICABLE MUST REMAIN WITHIN DIMENSIONS						THIRD ANGLE PROJECTION		DRAWING		SERIES		MATERIAL NUMBER		CUSTOMER		SHEET NUMBER	
								D-SIZE		33481		SEE BOM		GENERAL MARKET		2 OF 7	

LASER MARKING THIS SURFACE  
SEE NOTE 3g.



PRIMARY LOCK REINFORCEMENT (PLR) SHOWN  
IN PRE-STAGED POSITION

SECTION Z-Z

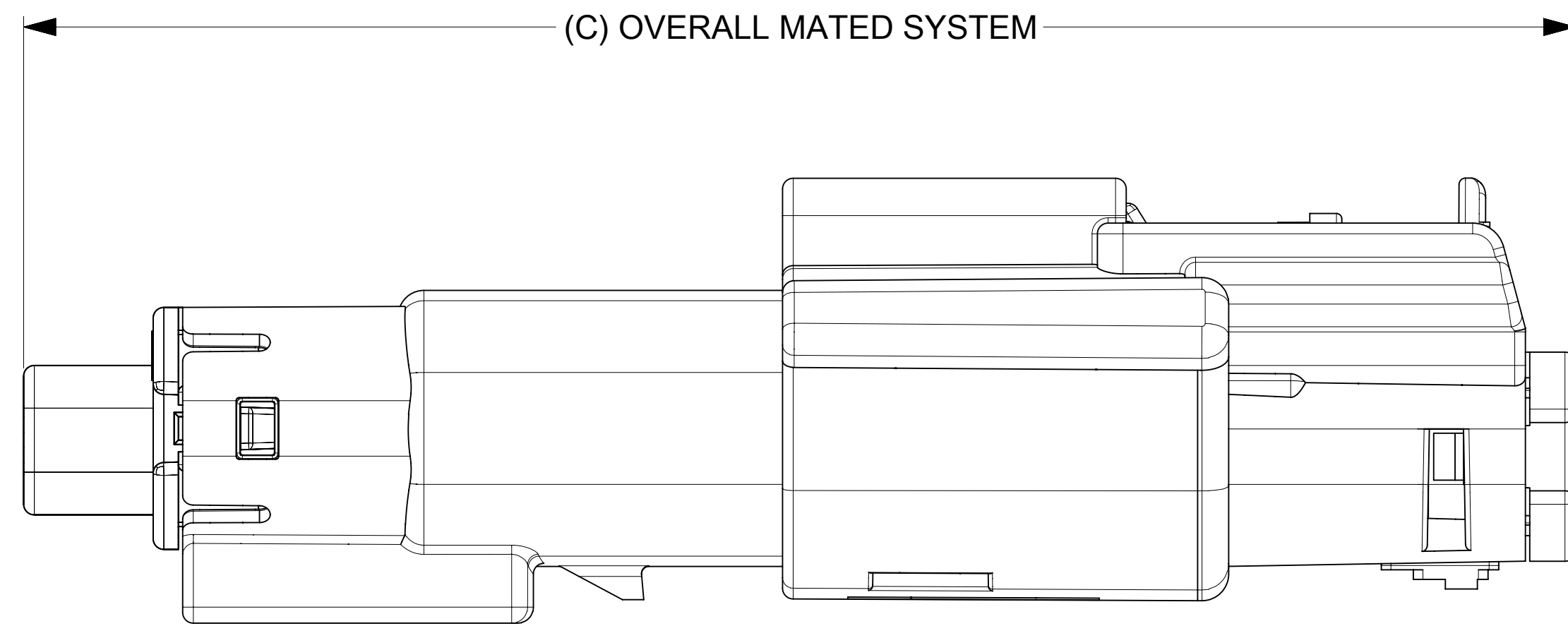


PRIMARY LOCK REINFORCEMENT (PLR) SHOWN  
IN FINAL-LOCK POSITION

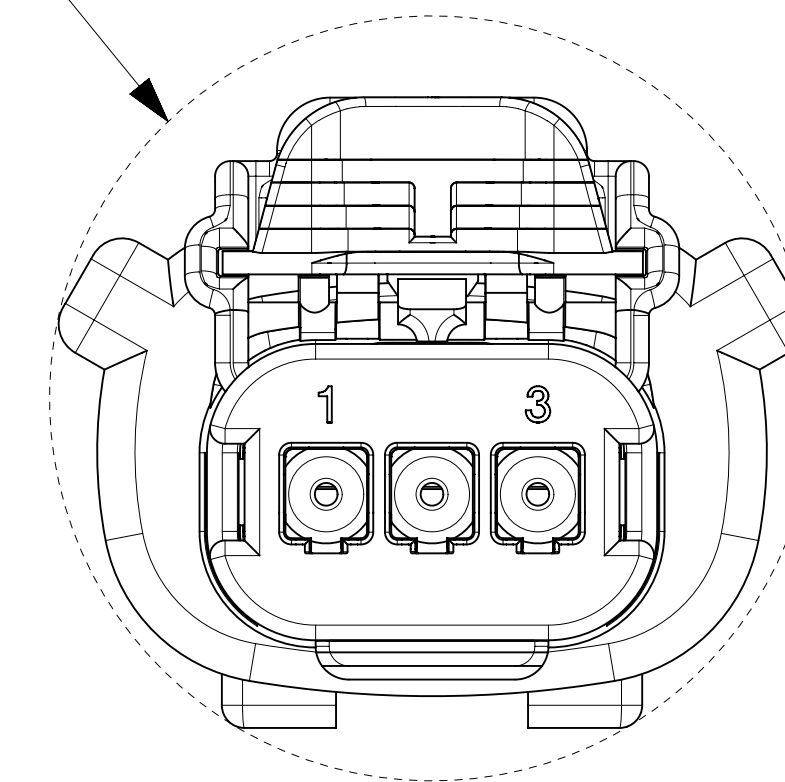
SECTION Y-Y

CHARTED DIMENSIONS	
CONFIGURATION	
MX150 1X3 BLADE SEALED ASSEMBLY - STANDARD	A
MX150 1X3 BLADE SEALED ASSEMBLY - RUBBER BOOT CONFIGURATION	57.85

THIS DRAWING CONTAINS INFORMATION THAT IS PROPRIETARY TO MOLEX ELECTRONIC TECHNOLOGIES, LLC AND SHOULD NOT BE USED WITHOUT WRITTEN PERMISSION			
DIMENSION UNITS	SCALE	CURRENT REV DESC: SEE REVISION TABLE	
mm	4:1		
GENERAL TOLERANCES (UNLESS SPECIFIED)			
	MM	INCH	
4 PLACES	±	±	
3 PLACES	±	±	
2 PLACES	± 0.1	±	
1 PLACE	± 0.3	±	
0 PLACES	±	±	
ANGULAR TOL	± 3.0°		
DRAFT WHERE APPLICABLE MUST REMAIN WITHIN DIMENSIONS		THIRD ANGLE PROJECTION	DRAWING SERIES
			D-SIZE 33481
EC NO:	645317	DATE:	2020/08/10
DRWN:	MKP	CHK'D:	MJMITCHELL 2020/09/21
APPR:	MJMITCHELL	DATE:	2020/09/21
INITIAL REVISION:		DATE:	06-12-02
DRWN:	DMARCOUX	DATE:	06-12-02
APPR:	FHOLUB		
DOCUMENT NUMBER		DOC TYPE	DOC PART
SD-33481-031		PSD	001
REVISION			
R5			
MATERIAL NUMBER	CUSTOMER	SHEET NUMBER	
SEE BOM	GENERAL MARKET	3 OF 7	



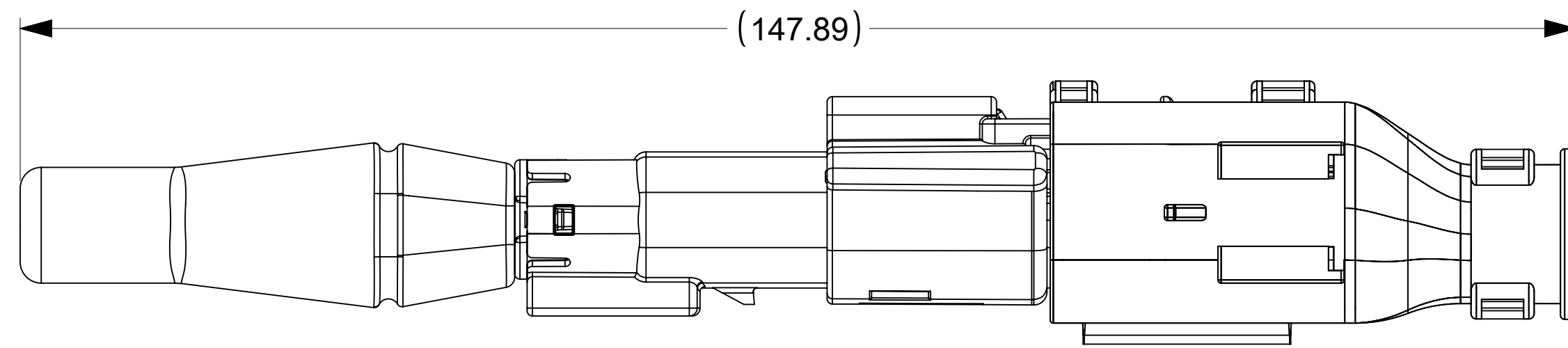
Ø25.30  
MIN. PASS-THROUGH  
WITH NO CLEARANCE



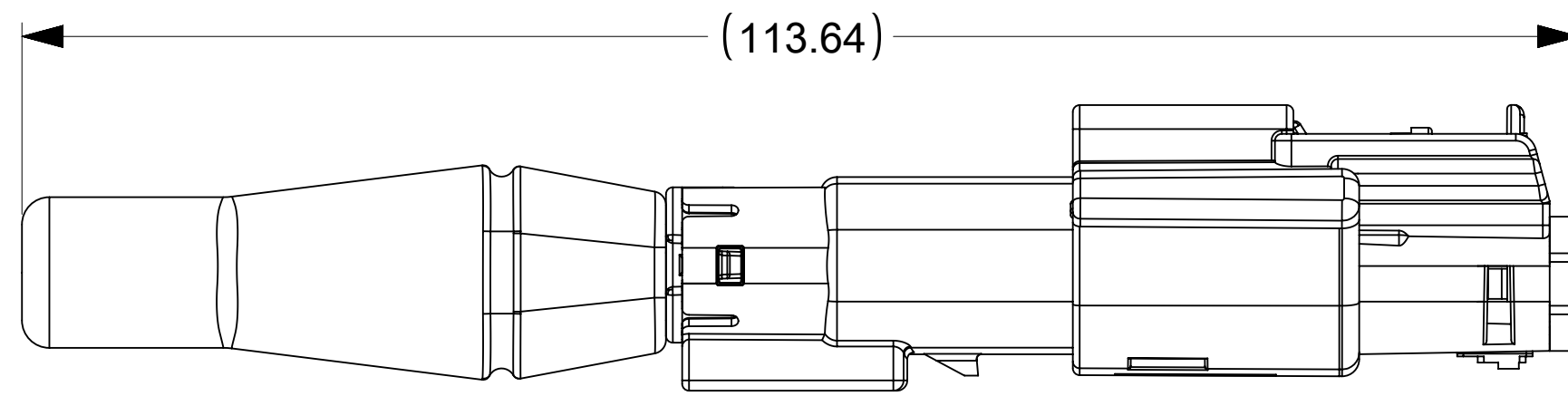
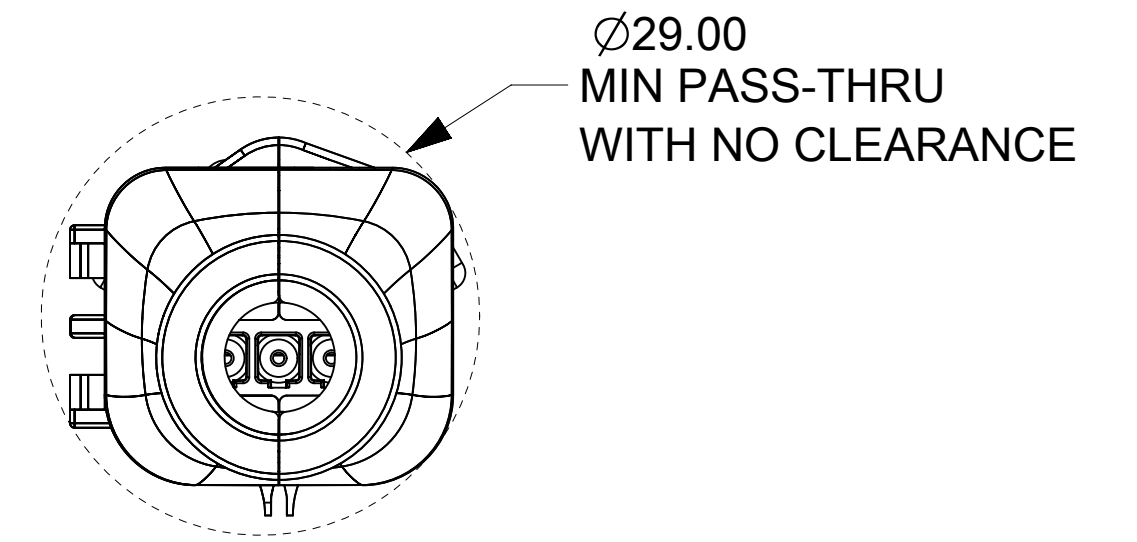
CHARTED DIMENSIONS	
CONFIGURATION	A
MX150 1X3 BLADE SEALED ASSEMBLY - STANDARD	53.85
MX150 1X3 BLADE SEALED ASSEMBLY - RIBBER BOOT CONFIGURATION	57.85

THIS DRAWING CONTAINS INFORMATION THAT IS PROPRIETARY TO MOLEX ELECTRONIC TECHNOLOGIES, LLC AND SHOULD NOT BE USED WITHOUT WRITTEN PERMISSION

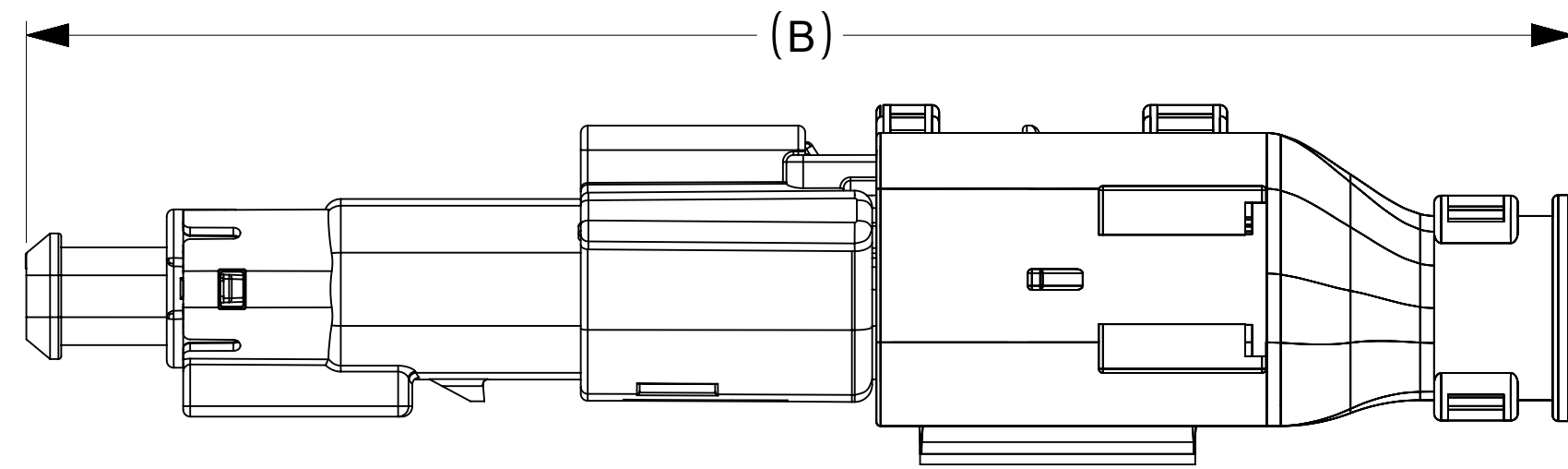
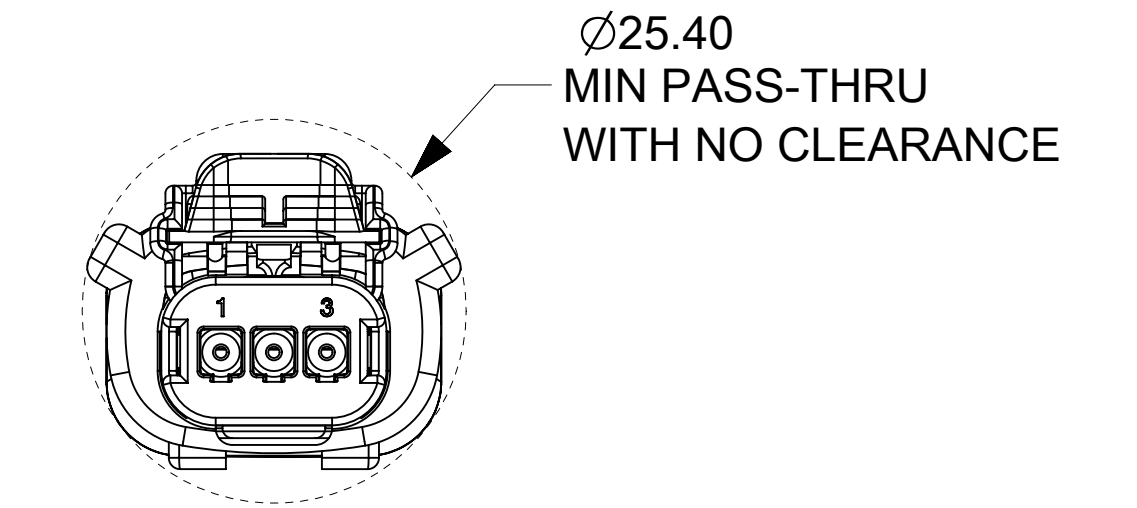
DIMENSION UNITS <b>mm</b>	SCALE <b>4:1</b>	CURRENT REV DESC: SEE REVISION TABLE	<b>molex</b>			
GENERAL TOLERANCES (UNLESS SPECIFIED)						
	MM	INCH	MX150 1X3 BLADE SEALED ASSEMBLY MAT SEAL			
4 PLACES	±	±	PRODUCT CUSTOMER DRAWING			
3 PLACES	±	±	DOCUMENT NUMBER			
2 PLACES	± 0.1	±	SD-33481-031			
1 PLACE	± 0.3	±	DOC TYPE			
0 PLACES	±	±	PSD			
ANGULAR TOL	± 3.0 °		DOC PART			
DRAFT WHERE APPLICABLE MUST REMAIN WITHIN DIMENSIONS		THIRD ANGLE PROJECTION	REVISION			
			R5			
		DRAWING	SERIES			
		D-SIZE	33481			
		MATERIAL NUMBER	CUSTOMER			
		SEE BOM	GENERAL MARKET			
		SHEET NUMBER	4 OF 7			



OVERALL MATED SYSTEM WITH BLADE RUBBER BOOT AND RECEPTACLE BACKSHELL

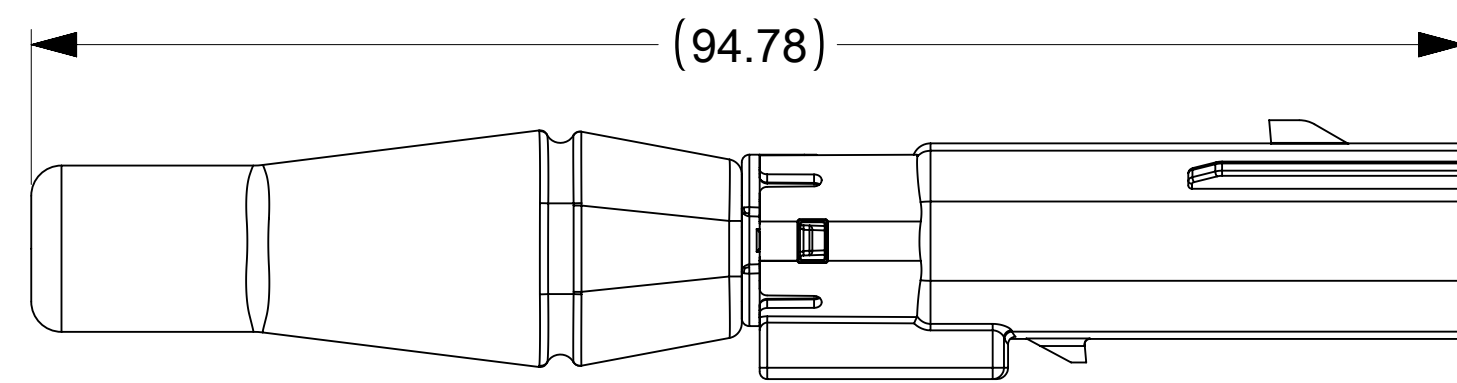
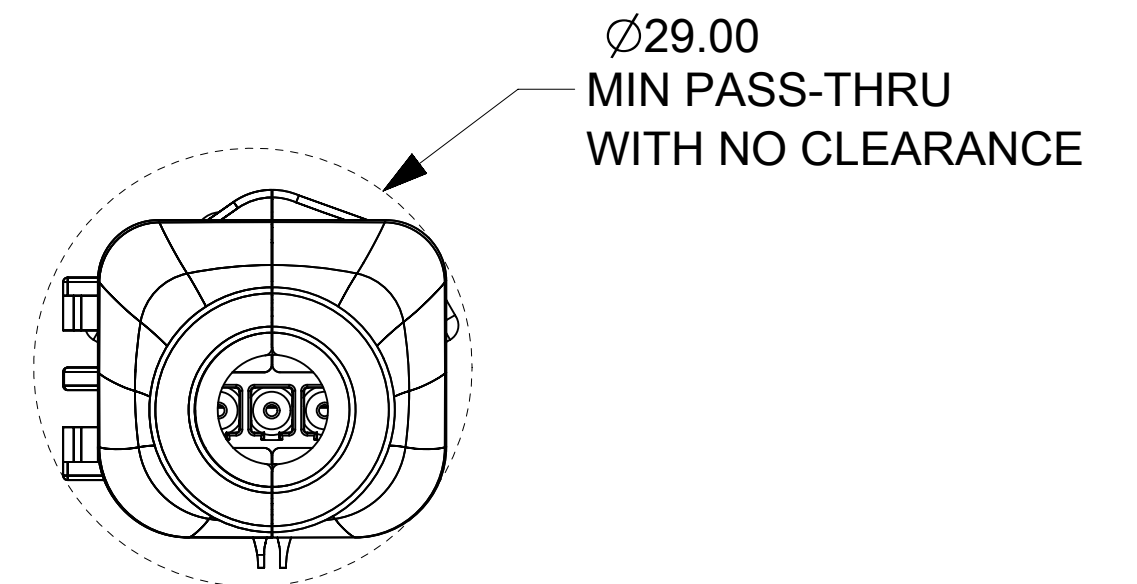


OVERALL MATED SYSTEM WITH BLADE RUBBER BOOT

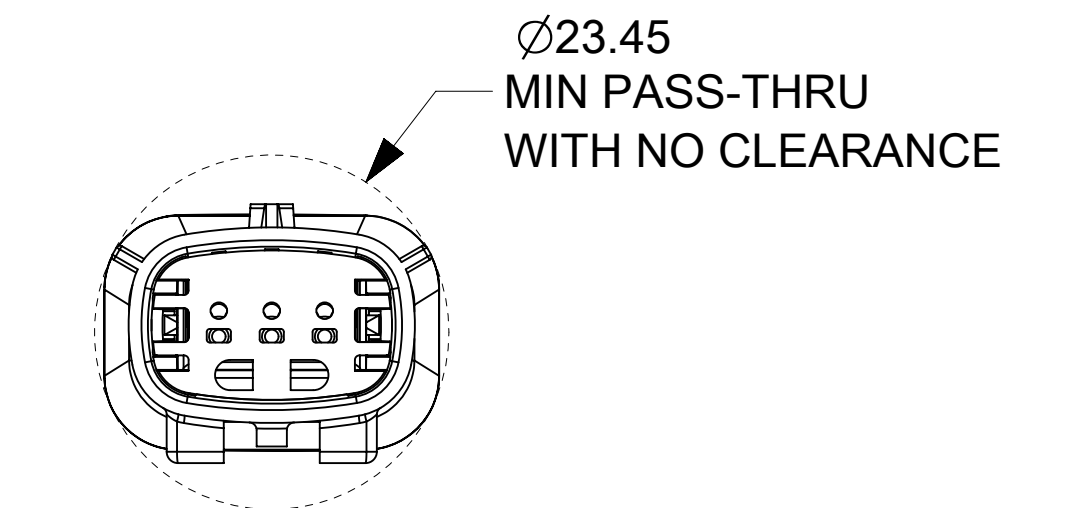


OVERALL MATED SYSTEM WITH RECEPTACLE BACKSHELL

CHARTED DIMENSIONS CONFIGURATION		B
MX150 1X3 BLADE SEALED ASSEMBLY - STANDARD		106.96
MX150 1X3 BLADE SEALED ASSEMBLY - RIBBER BOOT CONFIGURATION		110.96



BLADE SEALED ASSEMBLY WITH BLADE RUBBER BOOT



THIS DRAWING CONTAINS INFORMATION THAT IS PROPRIETARY TO MOLEX ELECTRONIC TECHNOLOGIES, LLC AND SHOULD NOT BE USED WITHOUT WRITTEN PERMISSION

DIMENSION UNITS <b>mm</b>	SCALE <b>2:1</b>	CURRENT REV DESC: SEE REVISION TABLE		<b>molex</b>			
GENERAL TOLERANCES (UNLESS SPECIFIED)		EC NO: 645317					
		MM	INCH	DRWN: MKP	2020/08/10	PRODUCT CUSTOMER DRAWING	
4 PLACES	±	±		CHK'D: MJMITCHELL	2020/09/21	DOCUMENT NUMBER	
3 PLACES	±	±		APPR: MJMITCHELL	2020/09/21	DOC TYPE	
2 PLACES	±	0.1	±	INITIAL REVISION:		DOC PART	
1 PLACE	±	0.3	±	DRWN: DMARCOUX	06-12-02	REVISION	
0 PLACES	±	±	±	APPR: FHOLUB	06-12-02	SD-33481-031	
ANGULAR TOL		± 3.0 °		DRAWING		PSD	
DRAFT WHERE APPLICABLE MUST REMAIN WITHIN DIMENSIONS		THIRD ANGLE PROJECTION		SERIES		001	
				D-SIZE		R5	
				MATERIAL NUMBER		001	
				CUSTOMER		GENERAL MARKET	
				SEE BOM		5 OF 7	
				SHEET NUMBER			

R5

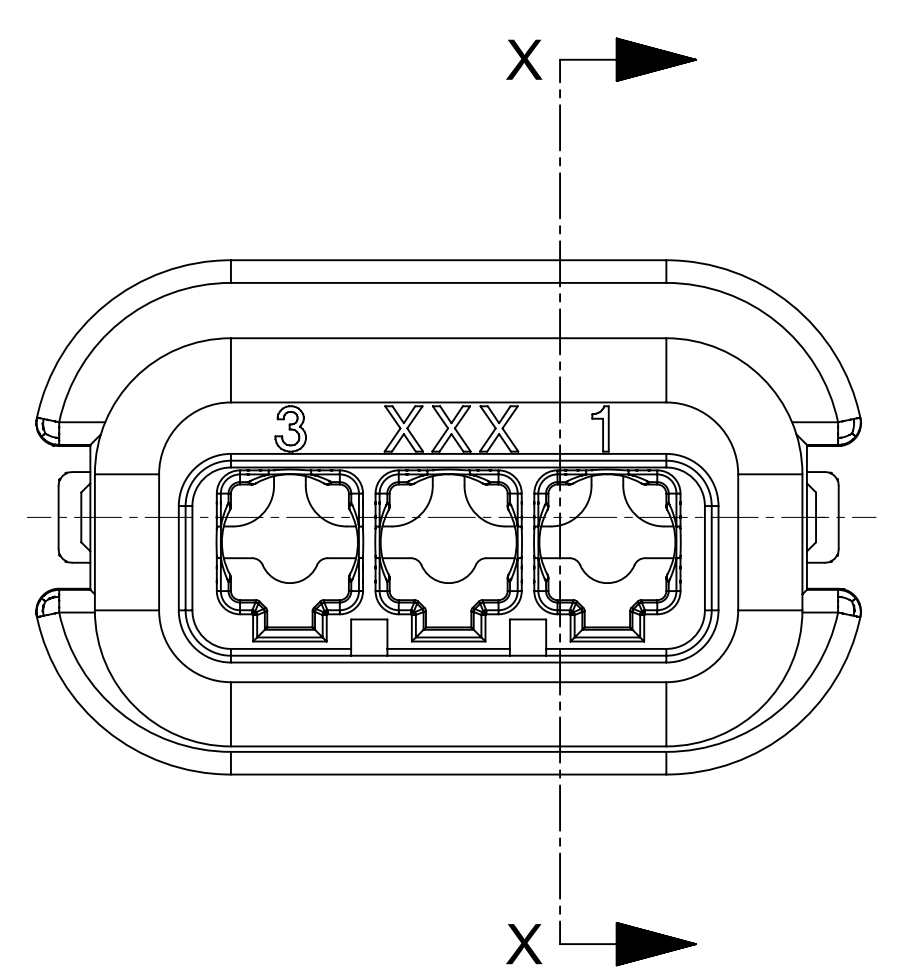
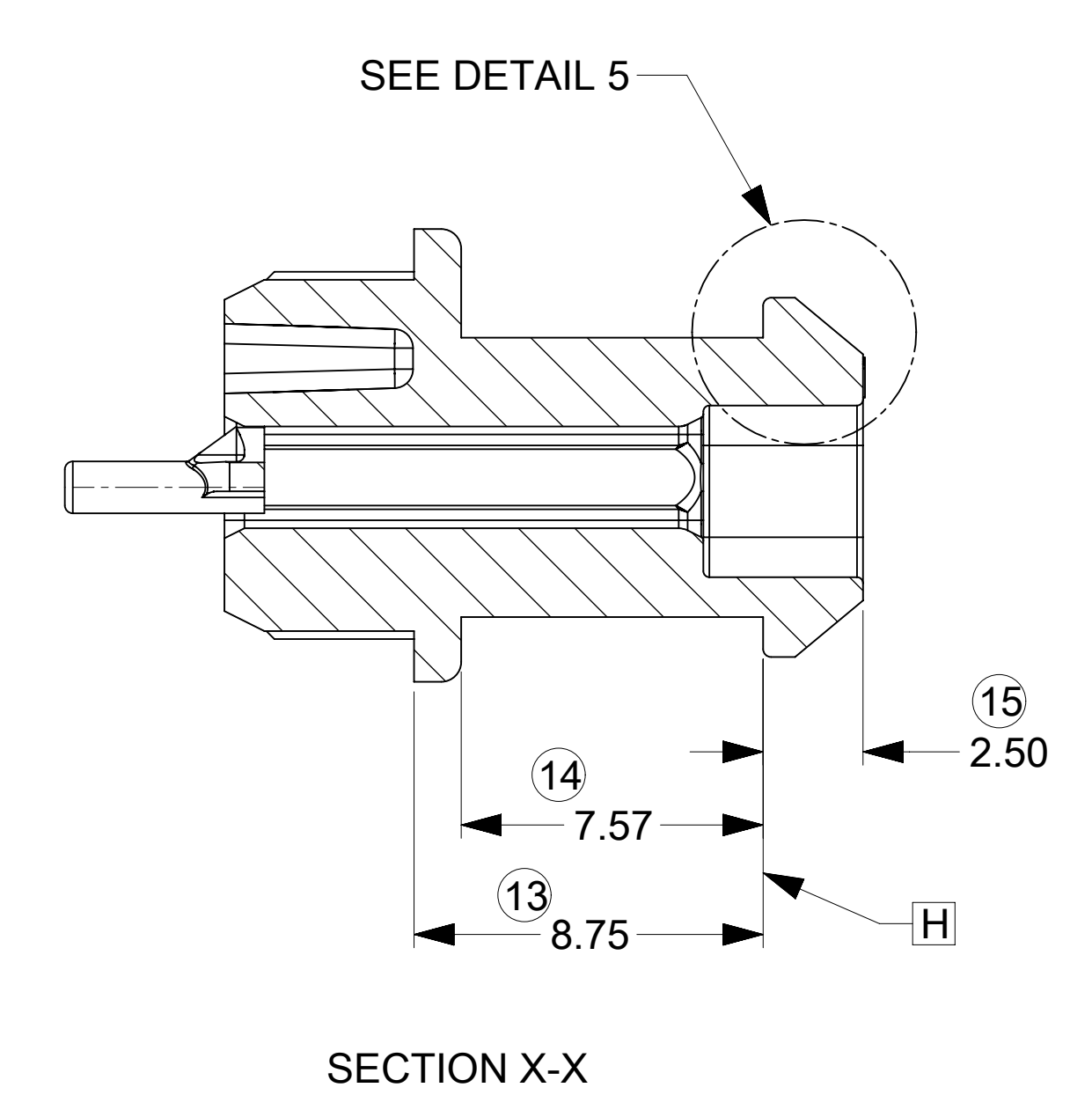
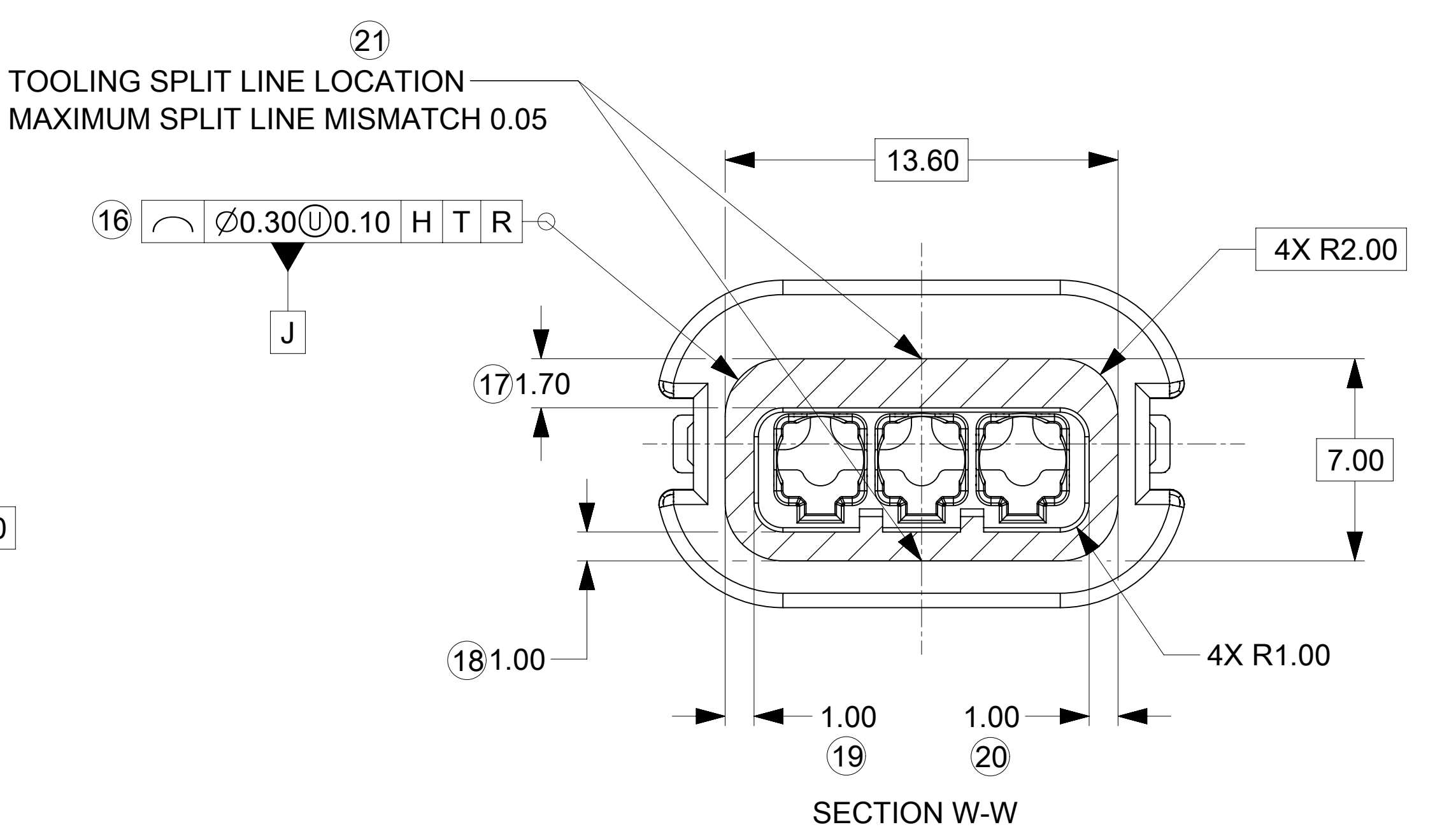
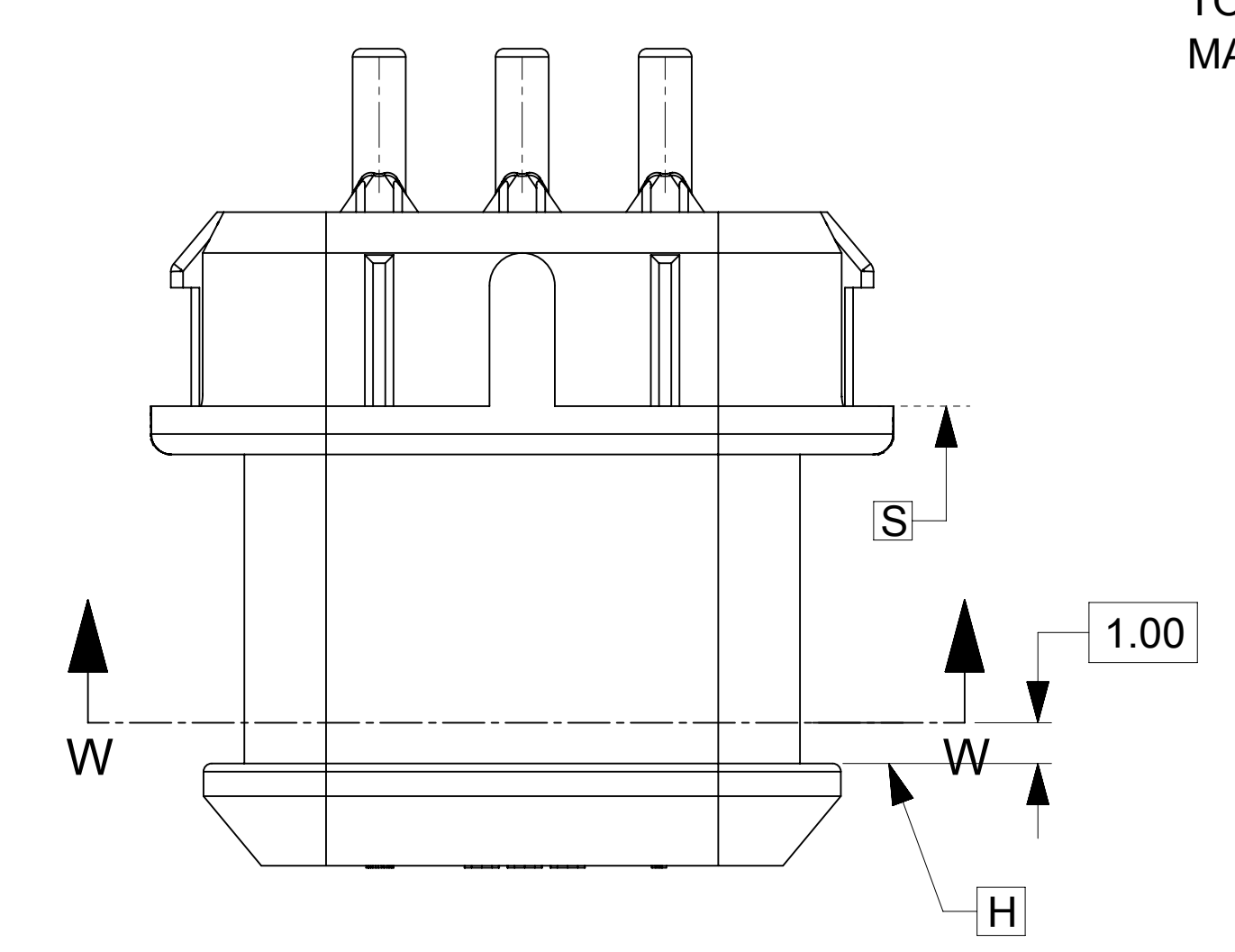
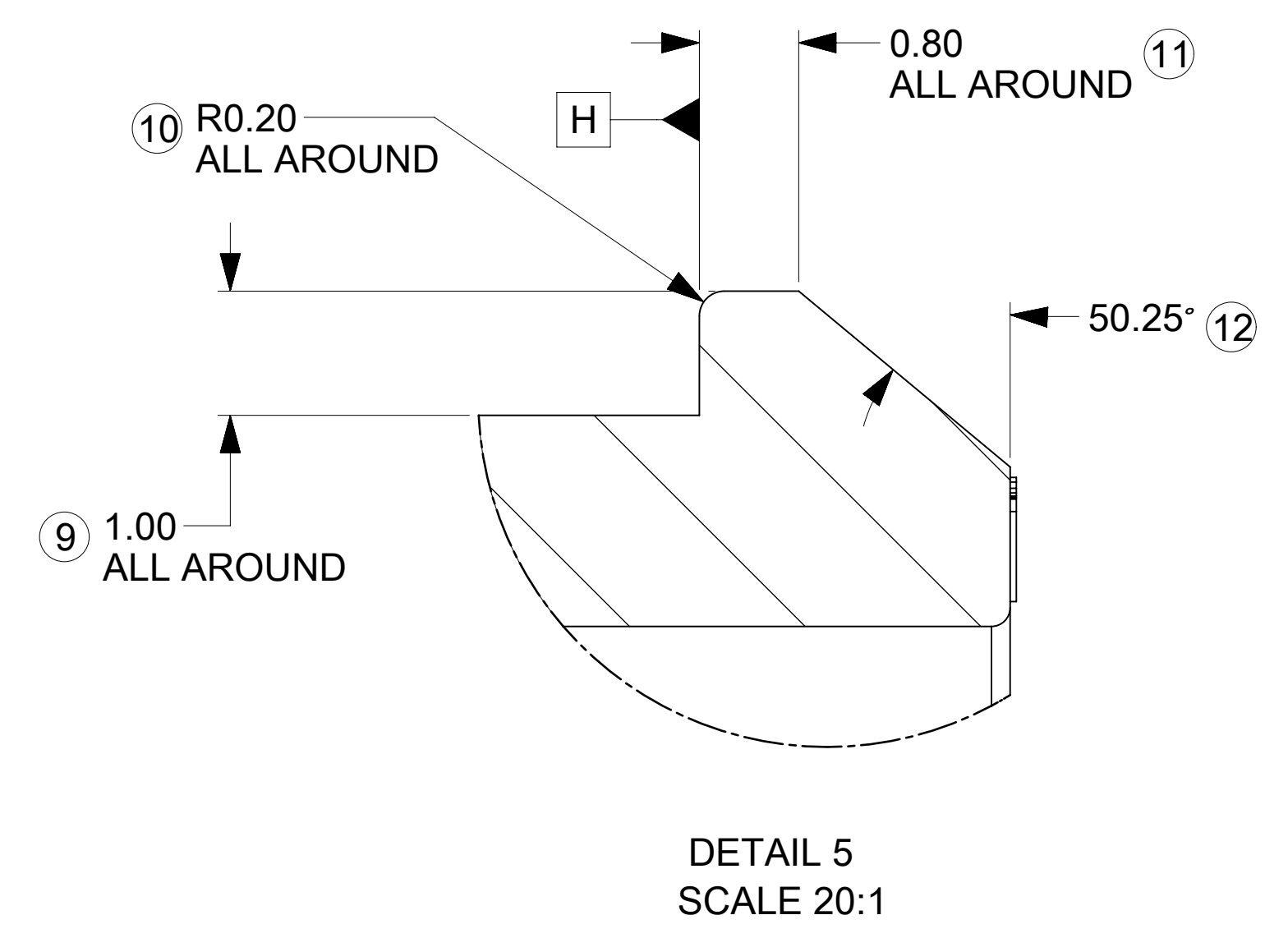
ASSEMBLY PART NUMBER	COLOR	KEYING OPTION	CAVITY TYPE & STATUS (X = PLUGGED)			STATUS	COMMENTS	OPTIONAL ATTACHMENT SOLD SEPARATELY SMP RUBBER BOOT
			1	2	3			
			33481-0301	BLACK	A			
33481-0302	LT.GRAY	B				NOT RECOMMENDED		NOT AVAILABLE
33481-0303	BROWN	C				NOT RECOMMENDED	NOT RECOMMENDED, SEE P/N 33481-0322	NOT AVAILABLE
33481-0304	GREEN	D				NOT RECOMMENDED	NOT RECOMMENDED, SEE P/N 33481-0323	NOT AVAILABLE
33481-0305	CUSTOM	TBD				PLANNED OBSOLESCENCE		NOT AVAILABLE
33481-0306	BLACK	A			X	PLANNED OBSOLESCENCE		NOT AVAILABLE
33481-0307	LT.GRAY	B			X	PLANNED OBSOLESCENCE		NOT AVAILABLE
33481-0308	BROWN	C			X	PLANNED OBSOLESCENCE		NOT AVAILABLE
33481-0309	GREEN	D			X	PLANNED OBSOLESCENCE		NOT AVAILABLE
33481-0310	CUSTOM	TBD			X	PLANNED OBSOLESCENCE		NOT AVAILABLE
33481-0311	BLACK	A	X		X	PLANNED OBSOLESCENCE		NOT AVAILABLE
33481-0312	LT.GRAY	B	X		X	PLANNED OBSOLESCENCE		NOT AVAILABLE
33481-0313	BROWN	C	X		X	PLANNED OBSOLESCENCE		NOT AVAILABLE
33481-0314	GREEN	D	X		X	PLANNED OBSOLESCENCE		NOT AVAILABLE
33481-0315	CUSTOM	TBD	X		X	PLANNED OBSOLESCENCE		NOT AVAILABLE
33481-0316	BLACK	A	X	X	X	NOT RECOMMENDED		NOT AVAILABLE
33481-0317	LT.GRAY	B	X	X	X	PLANNED OBSOLESCENCE		NOT AVAILABLE
33481-0318	BROWN	C	X	X	X	NOT RECOMMENDED	NOT RECOMMENDED, SEE P/N 33481-0324	NOT AVAILABLE
33481-0319	GREEN	D	X	X	X	NOT RECOMMENDED	NOT RECOMMENDED, SEE P/N 33481-0325	NOT AVAILABLE
33481-0320	CUSTOM	TBD	X	X	X	PLANNED OBSOLESCENCE		NOT AVAILABLE
33481-0321	BLACK	A		X		NOT RECOMMENDED		NOT AVAILABLE
33481-0322	DK.GRAY	C				PLANNED OBSOLESCENCE		NOT AVAILABLE
33481-0323	ST.GRAY	D				PLANNED OBSOLESCENCE		NOT AVAILABLE
33481-0324	DK.GRAY	C	X	X	X	PLANNED OBSOLESCENCE		NOT AVAILABLE
33481-0325	ST.GRAY	D	X	X	X	PLANNED OBSOLESCENCE		NOT AVAILABLE
33481-0330	YELLOW	A				PLANNED OBSOLESCENCE		NOT AVAILABLE
33481-0340	BLACK	A				NOT RECOMMENDED	RUBBER BOOT CONFIGURATION	P/N TBD
33481-0341	BLACK	A	X	X	X	PLANNED OBSOLESCENCE	RUBBER BOOT CONFIGURATION	P/N TBD

R5

ASSEMBLY PART NUMBER	COLOR	KEYING OPTION	CAVITY TYPE & STATUS (X = PLUGGED)			STATUS	COMMENTS	OPTIONAL ATTACHMENT SOLD SEPARATELY SMP RUBBER BOOT
			1	2	3			
			33481-3301	BLACK	A			
33481-3302	LT.GRAY	B				SALEABLE		AVAILABLE
33481-3303	BROWN	C				NOT RECOMMENDED	NOT RECOMMENDED, SEE P/N 33481-0322	NOT AVAILABLE
33481-3304	GREEN	D				NOT RECOMMENDED	NOT RECOMMENDED, SEE P/N 33481-0323	NOT AVAILABLE
33481-3305	CUSTOM	TBD				SALEABLE		AVAILABLE
33481-3306	BLACK	A			X	SALEABLE		AVAILABLE
33481-3307	LT.GRAY	B			X	SALEABLE		AVAILABLE
33481-3308	BROWN	C			X	SALEABLE		AVAILABLE
33481-3309	GREEN	D			X	SALEABLE		AVAILABLE
33481-3310	CUSTOM	TBD			X	SALEABLE		AVAILABLE
33481-3311	BLACK	A	X		X	SALEABLE		AVAILABLE
33481-3312	LT.GRAY	B	X		X	SALEABLE		AVAILABLE
33481-3313	BROWN	C	X		X	SALEABLE		AVAILABLE
33481-3314	GREEN	D	X		X	SALEABLE		AVAILABLE
33481-3315	CUSTOM	TBD	X		X	SALEABLE		AVAILABLE
33481-3316	BLACK	A	X	X	X	SALEABLE		AVAILABLE
33481-3317	LT.GRAY	B	X	X	X	SALEABLE		AVAILABLE
33481-3318	BROWN	C	X	X	X	NOT RECOMMENDED	NOT RECOMMENDED, SEE P/N 33481-0324	NOT AVAILABLE
33481-3319	GREEN	D	X	X	X	NOT RECOMMENDED	NOT RECOMMENDED, SEE P/N 33481-0325	NOT AVAILABLE
33481-3320	CUSTOM	TBD	X	X	X	SALEABLE		AVAILABLE
33481-3321	BLACK	A		X		SALEABLE		AVAILABLE
33481-3322	DK.GRAY	C				SALEABLE		AVAILABLE
33481-3323	ST.GRAY	D				SALEABLE		AVAILABLE
33481-3324	DK.GRAY	C	X	X	X	SALEABLE		AVAILABLE
33481-3325	ST.GRAY	D	X	X	X	SALEABLE		AVAILABLE
33481-3330	YELLOW	A				SALEABLE		AVAILABLE
33481-3340	BLACK	A				SALEABLE	RUBBER BOOT CONFIGURATION	P/N TBD
33481-3341	BLACK	A	X	X	X	SALEABLE	RUBBER BOOT CONFIGURATION	P/N TBD

THIS DRAWING CONTAINS INFORMATION THAT IS PROPRIETARY TO MOLEX ELECTRONIC TECHNOLOGIES, LLC AND SHOULD NOT BE USED WITHOUT WRITTEN PERMISSION

DIMENSION UNITS <b>mm</b>	SCALE <b>1:1</b>	CURRENT REV DESC: SEE REVISION TABLE	
GENERAL TOLERANCES (UNLESS SPECIFIED)		EC NO: 645317 DRWN: MKP 2020/08/10 CHK'D: MJMITCHELL 2020/09/21 APPR: MJMITCHELL 2020/09/21 INITIAL REVISION: DRWN: DMARCOUX 06-12-02 APPR: FHOLUB 06-12-02	
	MM INCH		
4 PLACES ±	±		
3 PLACES ±	±		
2 PLACES ± 0.1	±		
1 PLACE ± 0.3	±		
0 PLACES ±	±	DOCUMENT NUMBER <b>SD-33481-031</b>	
ANGULAR TOL ± 3.0°		DOC TYPE	DOC PART
DRAFT WHERE APPLICABLE MUST REMAIN WITHIN DIMENSIONS		REVISION <b>R5</b>	
THIRD ANGLE PROJECTION		MATERIAL NUMBER CUSTOMER SEE BOM GENERAL MARKET	
DRAWING <b>D-SIZE</b>		SERIES <b>33481</b>	
SHEET NUMBER <b>6 OF 7</b>			



THIS DRAWING CONTAINS INFORMATION THAT IS PROPRIETARY TO MOLEX ELECTRONIC TECHNOLOGIES, LLC AND SHOULD NOT BE USED WITHOUT WRITTEN PERMISSION											
DIMENSION UNITS <b>mm</b>		SCALE <b>2:1</b>		CURRENT REV DESC: SEE REVISION TABLE							
GENERAL TOLERANCES (UNLESS SPECIFIED)				EC NO: 645317 DRWN: MKP 2020/08/10 CHK'D: MJMITCHELL 2020/09/21 APPR: MJMITCHELL 2020/09/21 INITIAL REVISION: DRWN: DMARCOUX 06-12-02 APPR: FHOLUB 06-12-02				<b>molex</b> MX150 1X3 BLADE SEALED ASSEMBLY MAT SEAL PRODUCT CUSTOMER DRAWING			
		MM	INCH								
4 PLACES	±		±					<b>SD-33481-031</b>	PSD	001	<b>R5</b>
3 PLACES	±		±								
2 PLACES	±	0.1	±					SEE BOM	GENERAL MARKET	SHEET NUMBER <b>7 OF 7</b>	
1 PLACE	±	0.3	±								
0 PLACES	±		±								
ANGULAR TOL		± 3.0°		THIRD ANGLE PROJECTION		DRAWING		SERIES		MATERIAL NUMBER	
DRAFT WHERE APPLICABLE MUST REMAIN WITHIN DIMENSIONS		THIRD ANGLE PROJECTION		D-SIZE		33481		SEE BOM		GENERAL MARKET	