

注記 NOTES

1. 使用材料 MATERIAL

ハウジング : 液晶ポリマー (LCP) UL94V-0 (黒)
HOUSING: LIQUID CRYSTAL POLYMER UL94V-0 (COLOR: BLACK)

ターミナル : リン青銅
TERMINAL: PHOSPHOR BRONZE

補強金具 : リン青銅
FITTING NAIL: PHOSPHOR BRONZE

2. メッキ仕様 PLATING

ターミナル CONTACT AREA: 部分金めっき (0.2µm以上)
CONTACT AREA: SEPARATED GOLD PLATING (0.2 MICROMETER MINIMUM)

テール部 SOLDER TAIL AREA: 部分金めっき
SOLDER TAIL AREA: SEPARATED GOLD PLATING
下地 UNDERPLATE: ニッケルめっき (1.5µm以上)
UNDERPLATE: NICKEL OVERALL (1.5 MICROMETER MINIMUM))

※コンタクト部とテール部はニッケルメッキによって分断されている金メッキです。
DIVIDE INTO PARTS THE GOLD PLATING OF THE CONTACT AND THE TAIL PART BY THE NICKEL PLATING.

補強金具 FITTING NAIL
テール部 SOLDER TAIL AREA: 錫メッキ (1.0µm以上)
SOLDER TAIL AREA: TIN PLATING (1.0 MICROMETER MINIMUM))
下地 UNDERPLATE: ニッケルめっき (1.0µm以上)
UNDERPLATE: NICKEL OVERALL (1.0 MICROMETER MINIMUM))

△ (全極数 / 2) = 偶数の場合に適用。
APPLY FOR (CIRCUIT/2)=EVEN.

4. 嵌合相手 : 55909シリーズ (嵌合高さ = 1.8mm) 及び 501745シリーズ (嵌合高さ = 2.3mm)
MATE WITH : 55909 SERIES (HEIGHT = 1.8mm) AND 501745 SERIES (HEIGHT = 2.3mm)

5. テール及び金具の平坦度は、 0.1 以下
TAIL AND FITTING NAIL COPLANARITY TO BE 0.1 MAXIMUM.

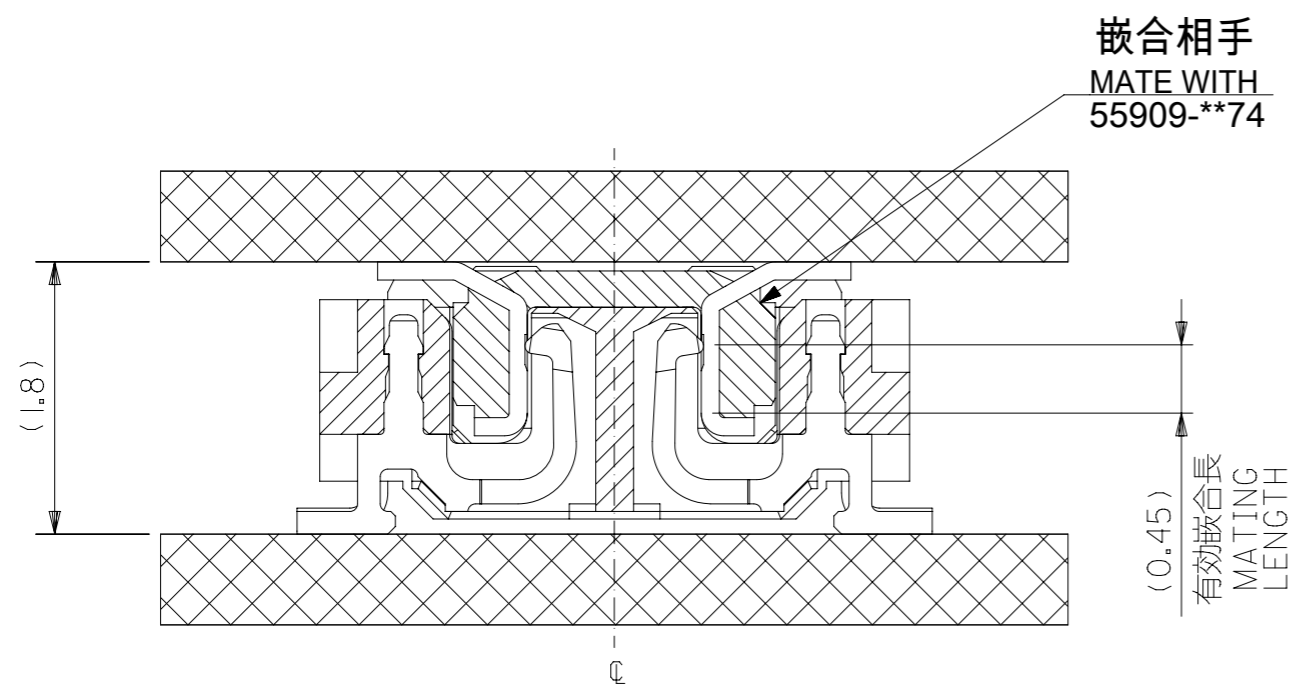
6. ELV & RoSH適合品
ELV and RoSH COMPLIANT

21.5	19.6	23.1	500913-1002	100
19.5	17.6	21.1	500913-0902	90
15.5	13.6	17.1	500913-0702	70
13.5	11.6	15.1	500913-0602	60
11.5	9.6	13.1	500913-0502	50
9.5	7.6	11.1	500913-0402	40
7.5	5.6	9.1	500913-0302	30
6.3	4.4	7.9	500913-0242	24

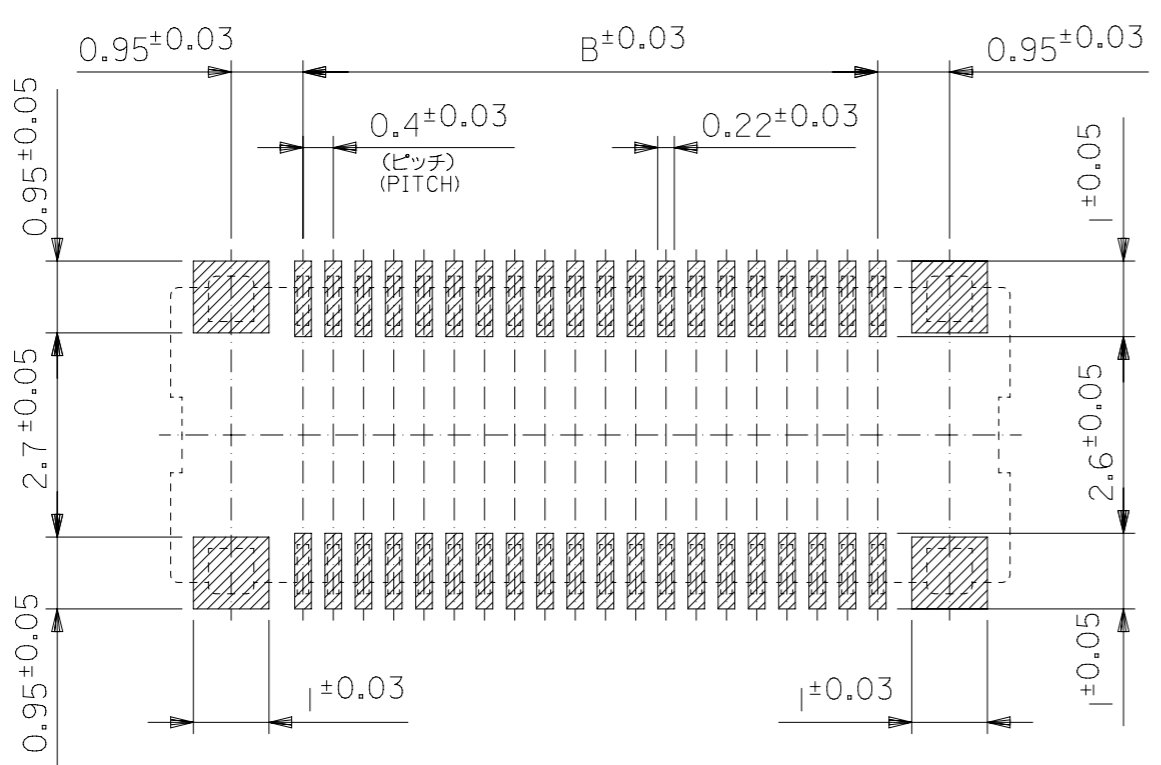
C	B	A	EMBOSSED TAPE PACKAGE	極数
			オーダー番号 ORDER NO.	CIRCUIT
CONNECTOR SERIES No. : 500913-***8				

THIS DRAWING CONTAINS INFORMATION THAT IS PROPRIETARY TO MOLEX ELECTRONIC TECHNOLOGIES, LLC AND SHOULD NOT BE USED WITHOUT WRITTEN PERMISSION		CURRENT REV DESC:		molex	
DIMENSION UNITS	SCALE				
mm	NTS			0.4 B-TO-B CONN. H = 1.8 / 2.3 J-BEND REC.	
GENERAL TOLERANCES (UNLESS SPECIFIED)		EC NO: 638555		PRODUCT CUSTOMER DRAWING	
ANGULAR TOL	± °	DRWN: BKBAE 2020/05/15		DOCUMENT NUMBER	
4 PLACES	±	CHK'D: SHCHU 2020/05/29		SD-500913-001	
3 PLACES	±	APPR: SHCHU 2020/06/01		DOC TYPE	
2 PLACES	±	INITIAL REVISION:		DOC PART	
1 PLACE	±	DRWN: RSUMIYA 2004/04/19		REVISION	
0 PLACES	±	APPR: MSASAO 2004/04/22		G	
DRAFT WHERE APPLICABLE MUST REMAIN WITHIN DIMENSIONS		THIRD ANGLE PROJECTION	DRAWING	SERIES	MATERIAL NUMBER
			A3-SIZE	500913	SEE CHART
					CUSTOMER
					GENERAL MARKET
					SHEET NUMBER
					1 OF 2

MATE : 500913 WITH 55909

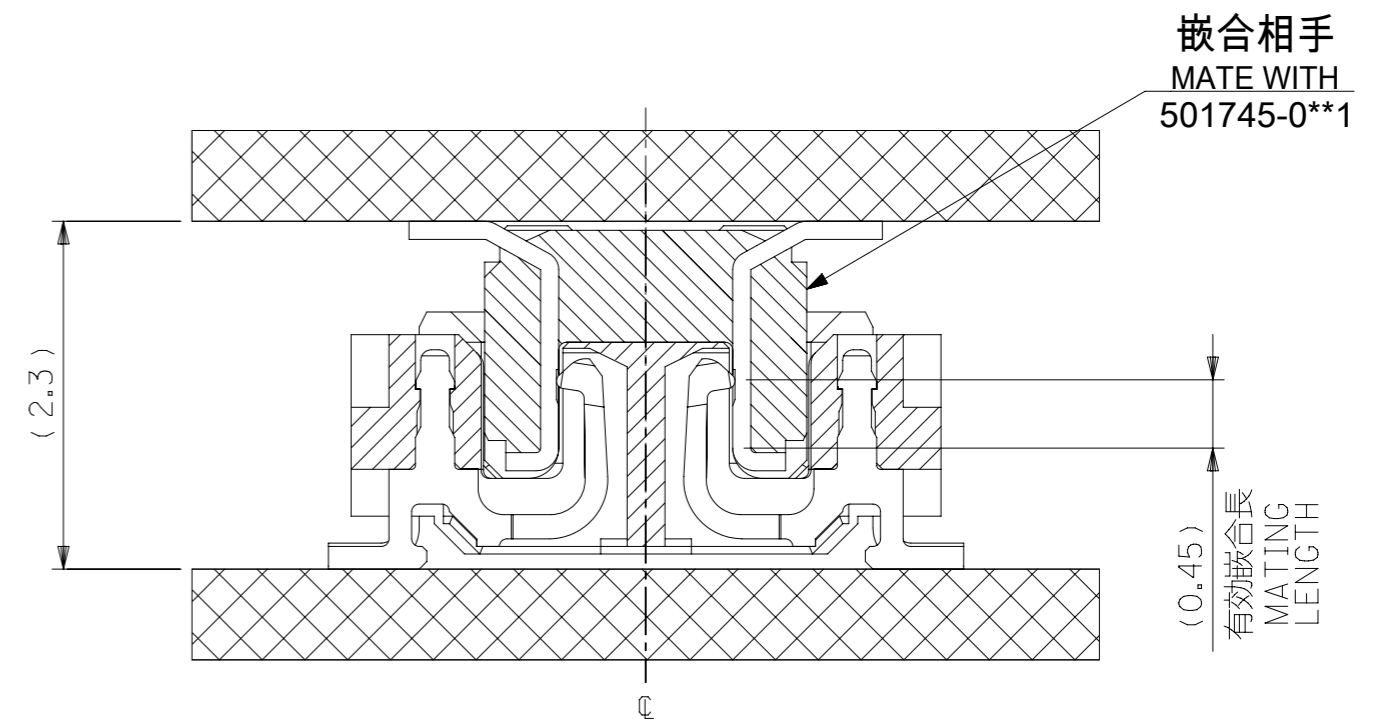


嵌合断面図 (参考)
MATED DRAWING (REFERENCE)



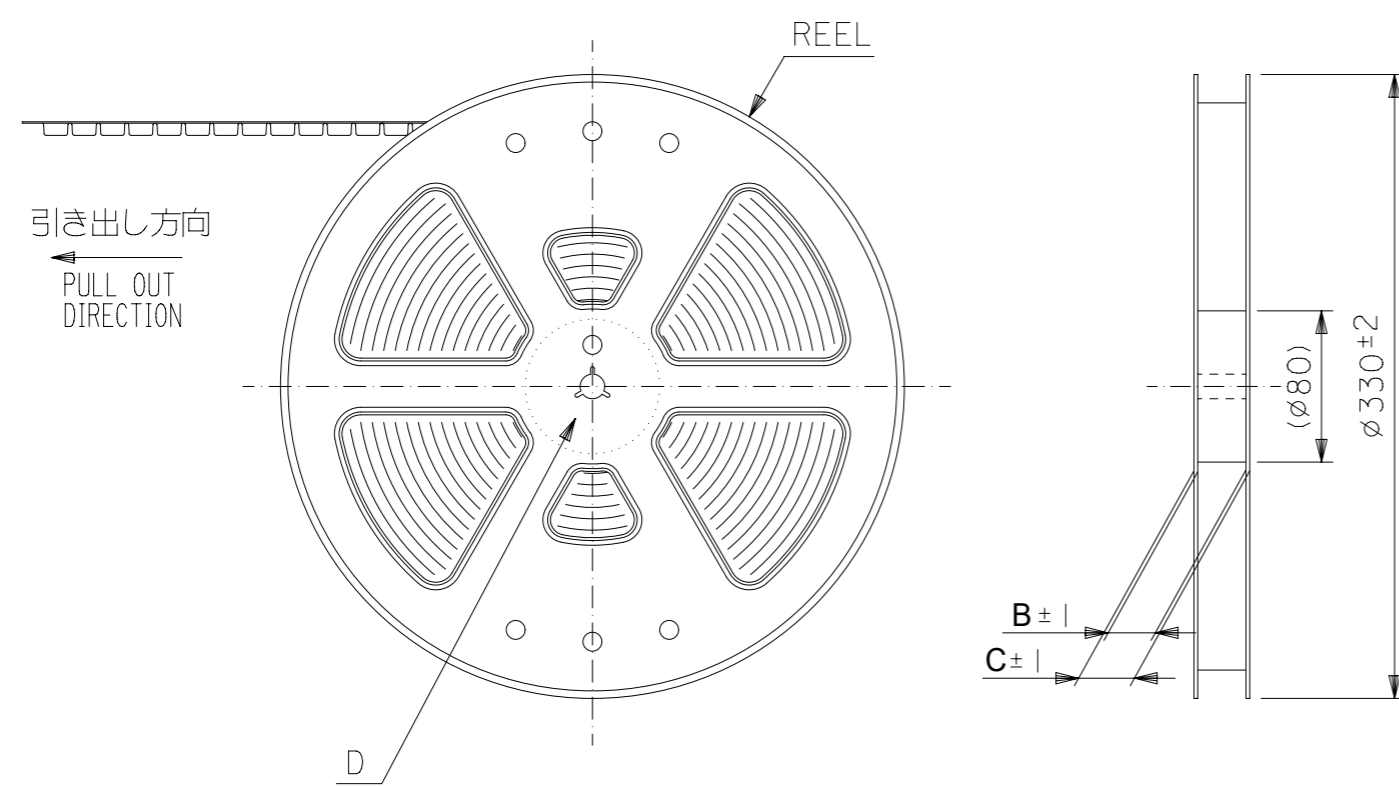
参考基板レイアウト (マウント面)
P.C.BOARD PATTERN DIMENSION. (REFERENCE)
(MOUNTING AREA)

MATE : 500913 WITH 501745



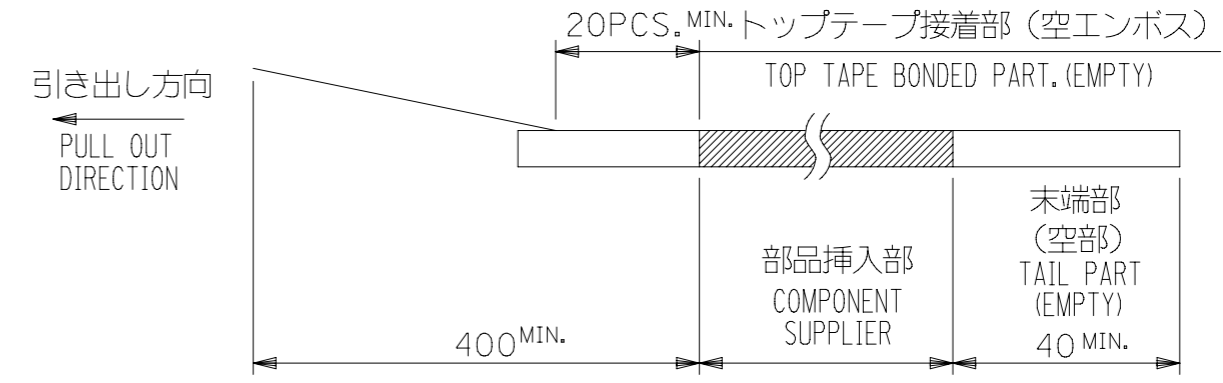
嵌合断面図 (参考)
MATED DRAWING (REFERENCE)

THIS DRAWING CONTAINS INFORMATION THAT IS PROPRIETARY TO MOLEX ELECTRONIC TECHNOLOGIES, LLC AND SHOULD NOT BE USED WITHOUT WRITTEN PERMISSION		CURRENT REV DESC:		molex	
DIMENSION UNITS	SCALE				
mm	NTS				
GENERAL TOLERANCES (UNLESS SPECIFIED)		EC NO: 638555		DOCUMENT NUMBER	
ANGULAR TOL	± °	DRWN: BKBAE 2020/05/15		SD-500913-001	
4 PLACES	±	CHK'D: SHCHU 2020/05/29		DOC TYPE DOC PART REVISION	
3 PLACES	±	APPR: SHCHU 2020/06/01		PSD 001 G	
2 PLACES	±	INITIAL REVISION:		MATERIAL NUMBER	
1 PLACE	±	DRWN: RSUMIYA 2004/04/19		CUSTOMER	
0 PLACES	±	APPR: MSASAO 2004/04/22		GENERAL MARKET	
DRAFT WHERE APPLICABLE MUST REMAIN WITHIN DIMENSIONS		THIRD ANGLE PROJECTION	DRAWING	SERIES	SHEET NUMBER
			A3-SIZE	500913	2 OF 2

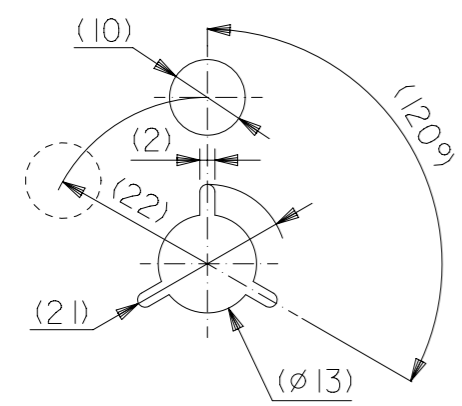


NOTES

- 1. 製品詳細寸法については製品単体図面 SD-500913-001 を参照下さい。
DETAIL DIMENSIONS, SEE PRODUCT DRAWING.NO. SD-500913-001.
- 2. 梱包数量：1500個/リール
NUMBER OF CONNECTORS : 1500PCS/REEL
- 3. リードテープ長さ LEAD TAPE LENGTH

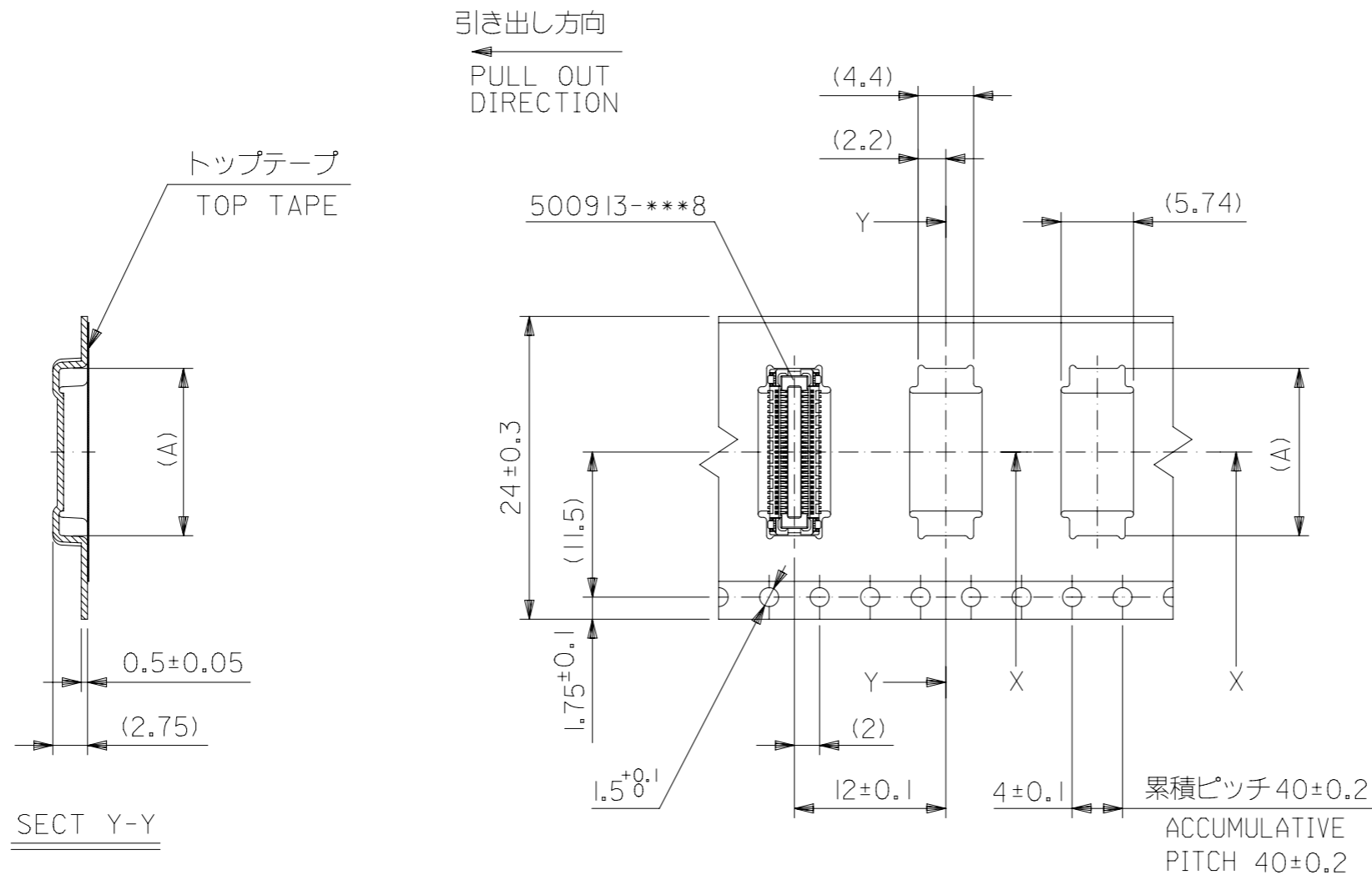


- 4. 材料 MATERIAL
 キャリアテープ (CARRIER TAPE) : ポリプロピレン (POLYPROPYLENE)
 トップテープ (TOPTAPE) : PET , PE , PEF
 リール (REEL) : ポリスチレン (PS) <リサイクル材を含む>
 POLYSTYRENE (PS) <RECYCLE MATERIAL CONTAINED>



DETAIL D

THIS DRAWING CONTAINS INFORMATION THAT IS PROPRIETARY TO MOLEX ELECTRONIC TECHNOLOGIES, LLC AND SHOULD NOT BE USED WITHOUT WRITTEN PERMISSION		CURRENT REV DESC:		molex	
DIMENSION UNITS	SCALE				
mm	NTS			PRODUCT CUSTOMER DRAWING	
GENERAL TOLERANCES (UNLESS SPECIFIED)		EC NO: 638555		DOCUMENT NUMBER	
ANGULAR TOL	± °	DRWN: BKBAE 2020/05/15		SD-500913-002	
4 PLACES	±	CHK'D: SHCHU 2020/05/29		DOC TYPE	DOC PART
3 PLACES	±	APPR: SHCHU 2020/06/01		PSD	001
2 PLACES	±	INITIAL REVISION:		REVISION	F
1 PLACE	±	DRWN: RSUMIYA 2004/04/19			
0 PLACES	±	APPR: MSASAO 2004/04/22			
DRAFT WHERE APPLICABLE MUST REMAIN WITHIN DIMENSIONS		THIRD ANGLE PROJECTION	DRAWING	SERIES	MATERIAL NUMBER
			A3-SIZE	500913	SEE CHART
				CUSTOMER	SHEET NUMBER
				GENERAL MARKET	1 OF 4

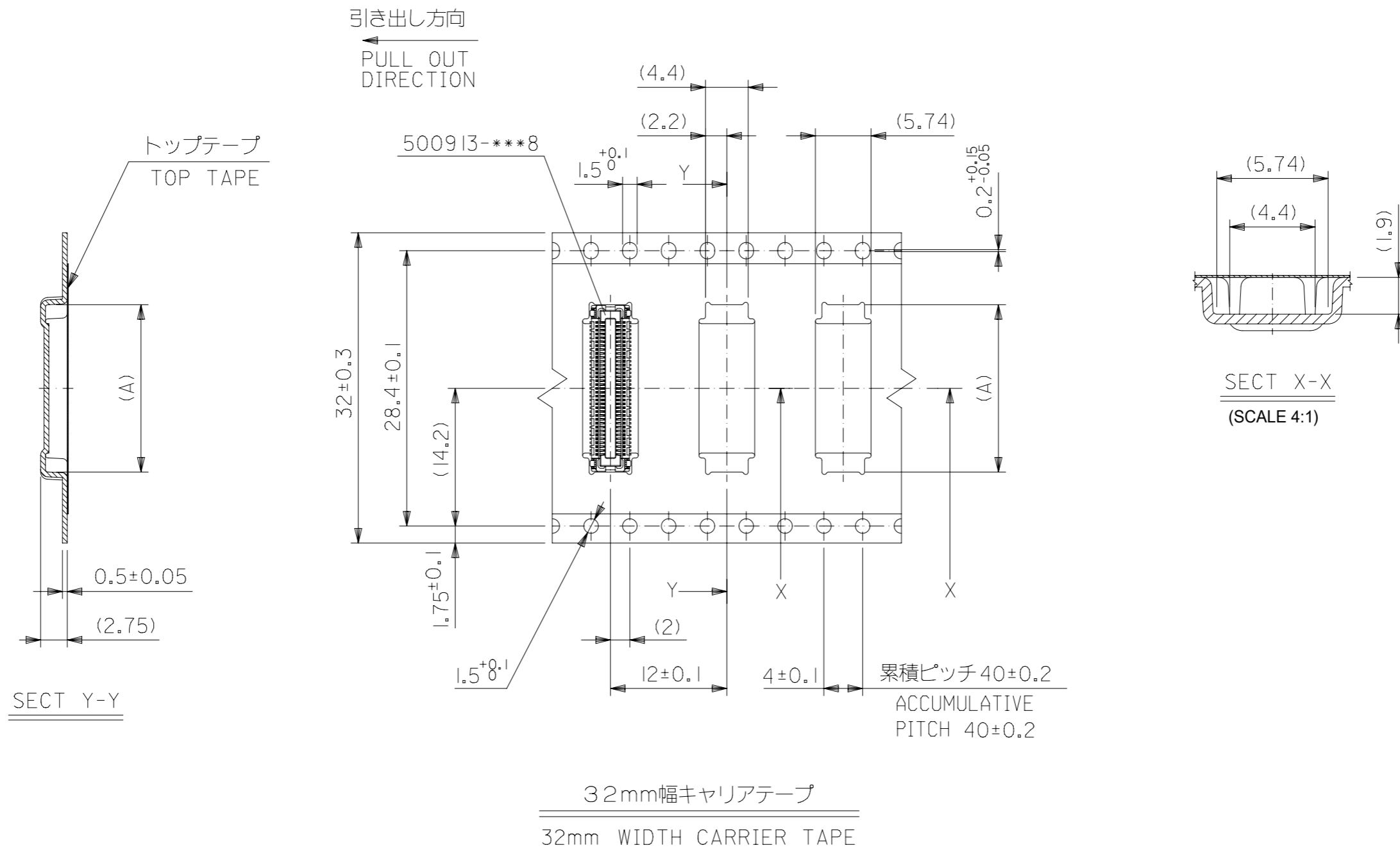


24mm幅キャリアテープ
24mm WIDTH CARRIER TAPE

24	29.4	25.4	15.26	500913-0602	60
			13.26	500913-0502	50
			11.26	500913-0402	40
			9.26	500913-0302	30
			8.06	500913-0242	24
キャリアテープ幅 CARRIER TAPE WIDTH	C	B	(A)	MATERIAL NO.	CIRCUIT

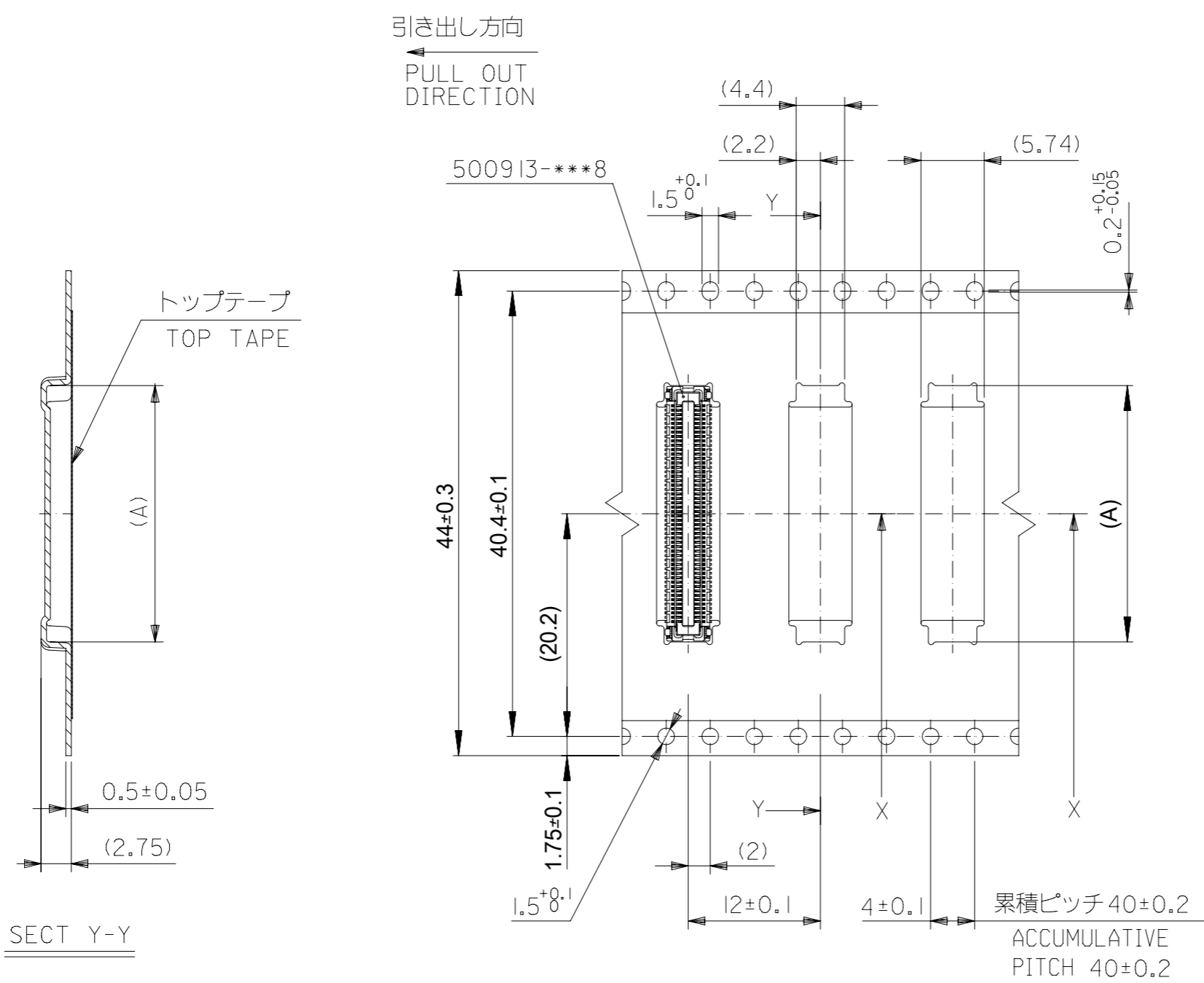
500913-***2 MODEL NO.

THIS DRAWING CONTAINS INFORMATION THAT IS PROPRIETARY TO MOLEX ELECTRONIC TECHNOLOGIES, LLC AND SHOULD NOT BE USED WITHOUT WRITTEN PERMISSION		CURRENT REV DESC:		molex	
DIMENSION UNITS	SCALE				
mm	NTS			0.4 B-TO-B CONN. H = 1.8 / 2.3 J-BEND REC.	
GENERAL TOLERANCES (UNLESS SPECIFIED)		EC NO: 638555		PRODUCT CUSTOMER DRAWING	
ANGULAR TOL ± °		DRWN: BKBAE 2020/05/15		DOCUMENT NUMBER	
4 PLACES ±		CHK'D: SHCHU 2020/05/29		SD-500913-002	
3 PLACES ±		APPR: SHCHU 2020/06/01		DOC TYPE DOC PART REVISION	
2 PLACES ±		INITIAL REVISION:		PSD 001 F	
1 PLACE ±		DRWN: RSUMIYA 2004/04/19		MATERIAL NUMBER	
0 PLACES ±		APPR: MSASAO 2004/04/22		CUSTOMER	
DRAFT WHERE APPLICABLE MUST REMAIN WITHIN DIMENSIONS		THIRD ANGLE PROJECTION	DRAWING	SERIES	SHEET NUMBER
			A3-SIZE	500913	2 OF 4



32	41.4	37.4	21.26	500913-0902	90
	37.4	33.4	17.26	500913-0702	70
キャリアテープ幅 CARRIER TAPE WIDTH	C	B	(A)	MATERIAL NO.	CIRCUIT
500913-***2				MODEL NO.	

THIS DRAWING CONTAINS INFORMATION THAT IS PROPRIETARY TO MOLEX ELECTRONIC TECHNOLOGIES, LLC AND SHOULD NOT BE USED WITHOUT WRITTEN PERMISSION					
DIMENSION UNITS mm	SCALE NTS	CURRENT REV DESC:			
GENERAL TOLERANCES (UNLESS SPECIFIED)		molex 0.4 B-TO-B CONN. H = 1.8 / 2.3 J-BEND REC. PRODUCT CUSTOMER DRAWING			
ANGULAR TOL	± °				
4 PLACES	±				
3 PLACES	±				
2 PLACES	±				
1 PLACE	±				
0 PLACES	±	EC NO: 638555	2020/05/15	DRWN: BKBAE	2020/05/29
DRAFT WHERE APPLICABLE MUST REMAIN WITHIN DIMENSIONS		CHK'D: SHCHU	2020/06/01	APPR: SHCHU	2020/06/01
THIRD ANGLE PROJECTION		INITIAL REVISION:	DOCUMENT NUMBER	DOC TYPE	DOC PART
DRAWING A3-SIZE		DRWN: RSUMIYA	SD-500913-002	PSD	001
SERIES 500913		APPR: MSASAO	REVISION	F	
MATERIAL NUMBER SEE CHART1		CUSTOMER GENERAL MARKET		SHEET NUMBER 3 OF 4	



44 mm幅キャリアテープ
44 mm WIDTH CARRIER TAPE

44	49.4	45.4	23.26	500913-1002	100
キャリアテープ幅 CARRIER TAPE WIDTH	C	B	(A)	MATERIAL NO.	CIRCUIT
500913-***2				MODEL NO.	

THIS DRAWING CONTAINS INFORMATION THAT IS PROPRIETARY TO MOLEX ELECTRONIC TECHNOLOGIES, LLC AND SHOULD NOT BE USED WITHOUT WRITTEN PERMISSION					
DIMENSION UNITS mm	SCALE NTS	CURRENT REV DESC:			
GENERAL TOLERANCES (UNLESS SPECIFIED)		<p>molex</p> <p>0.4 B-TO-B CONN. H = 1.8 / 2.3 J-BEND REC.</p> <p>PRODUCT CUSTOMER DRAWING</p>			
ANGULAR TOL	± °				
4 PLACES	±				
3 PLACES	±				
2 PLACES	±				
1 PLACE	±				
0 PLACES	±	EC NO: 638555	2020/05/15	DRWN: BKBAE	2020/05/29
DRAFT WHERE APPLICABLE MUST REMAIN WITHIN DIMENSIONS		CHK'D: SHCHU	2020/06/01	APPR: SHCHU	2020/06/01
THIRD ANGLE PROJECTION		INITIAL REVISION:	DOCUMENT NUMBER		
DRAWING		DRWN: RSUMIYA	SD-500913-002		
SERIES		APPR: MSASAO	DOC TYPE	DOC PART	REVISION
A3-SIZE	500913	2004/04/19	PSD	001	F
MATERIAL NUMBER		CUSTOMER		SHEET NUMBER	
SEE CHART1	GENERAL MARKET	4 OF 4			