

# TABLE OF CONTENTS

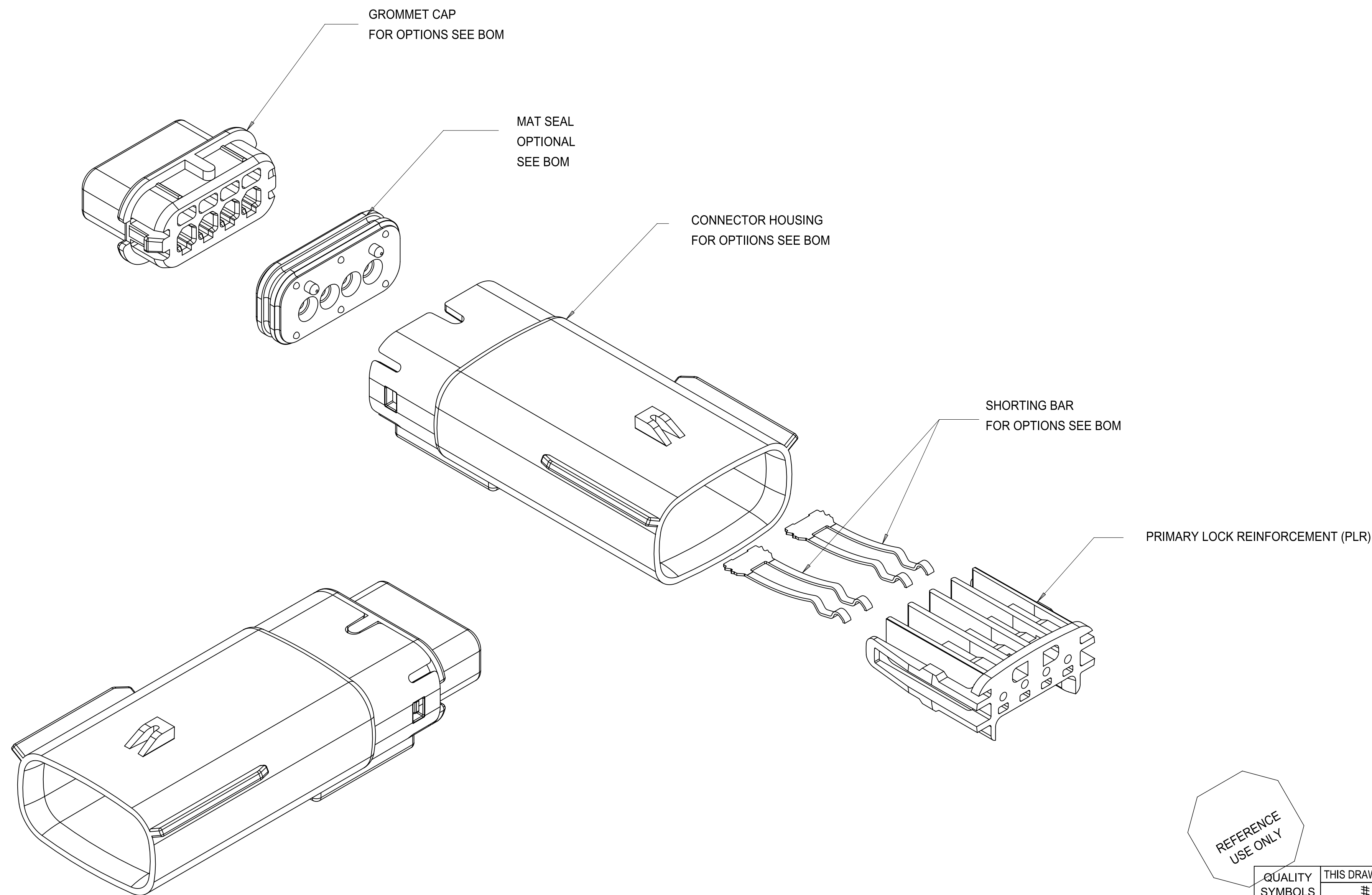
SHEET NO.	SHEET DESCRIPTION
1	NOTES
2	KEY CONFIGURATIONS
3	BLADE SEALED ASSEMBLY
4	SYSTEM PACKAGING
5	BOM

NOTES: VALID UNLESS OTHERWISE SPECIFIED

1. GENERAL:
  - a. APPLICATION SPECIFICATION SEE: AS-33472-100  
CONTAINS: PRODUCT INTRODUCTION, PRODUCT SUMMARY, CONNECTOR ASSEMBLY, PACKAGING INFORMATION, CONNECTOR MATING, SERVICE INSTRUCTIONS, ELECTRICAL CONTINUITY CHECKING, CRIMPING, AND TROUBLESHOOTING.  
-DESIGNED TO MATE WITH RECEPTACLE SEALED ASSEMBLY SPECIFIED IN MOLEX DRAWING SD-33471-041. RECEPTACLE SEALED ASSEMBLY CONFIGURATION MUST CONTAIN A PLR WITH SHORTING BAR LIFTER.  
-FOR 1.5mm BLADE TERMINALS TO BE USED WITH THE SHORTING BAR CIRCUIT LOCATIONS SEE MOLEX DRAWING SD-31296-001.  
-SHORTING BAR TERMINALS TO BE USED WITH WIRE WITHIN DIAMETER RANGE OF 1.7mm TO 2.06mm.  
-FOR 1.5mm BLADE TERMINALS TO BE USED WITH THE NON-SHORTING BAR CIRCUIT LOCATIONS SEE MOLEX DRAWING SD-33000-001.  
-NON-SHORTING BAR TERMINALS TO BE USED WITH WIRE WITHIN DIAMETER RANGE OF 1.2mm TO 2.69mm.  
-ASSEMBLY SHIPPED WITH PLR IN PRE-LOCK POSITION  
-IN THE EVENT THAT THE PLR IS FOUND IN THE SEATED (FINAL LOCK) POSITION, REFER TO MOLEX SPECIFICATION PS-34646-001, AVAILABLE AT [www.molex.com](http://www.molex.com) <http://www.molex.com>  
-ASSEMBLY CONFORMS TO SAE/J596-2 REV.4 WITH THE FOLLOWING EXCEPTIONS: TERMINAL INSERTION FORCE FOR WIRE DIAMETER ABOVE 2.5mm NOT EXCEEDING 2.69mm SHALL NOT EXCEED 45 NEWTONS.
  - b. PRODUCT SPECIFICATION SEE: PS-33471-000  
CONTAINS: PRODUCT INTRODUCTION, PRODUCT SUMMARY, RATINGS (CURRENT, TEMPERATURE, SEALING, AND FLAMMABILITY), AND PRODUCT VALIDATION.
  - c. PACKAGING SPECIFICATION PER MOLEX DRAWING: PK-31300-635
  - d. PARTS MUST BE IN COMPLIANCE TO MOLEX CHEMICAL SUBSTANCES FOR PRODUCTS AND PACKAGING SPECIFICATION: ES-40000-5016
  - e. DATA MUST BE SUBMITTED UNDER THE MOLEX PART NUMBER TO IMDS (COMPANY ID#13255)
  - f. FOR INFORMATION ON 1X4 BLADE SEALED ASSEMBLY WITHOUT SHORTING BAR SEE SD-33481-041.

2. DESIGN - MATERIALS:
  - a. CONNECTOR HOUSING, GROMMET CAP, PLR: SPS/NYLON BLEND 20% GLASS FILLED
  - b. MAT SEAL: INHERENTLY LUBRICATED SILICONE
  - c. SHORTING BARS: STAINLESS STEEL

3. DESIGN - GEOMETRY:
  - a. THIS IS A 100% CAD GENERATED PART. THE CAD MATHEMATICAL DATA IS THE MASTER FOR THIS PART. FOR DIMENSIONAL OR ANY INFORMATION NOT SHOWN ON THIS DRAWING, ANALYZE THE CAD MODEL.
  - b. GEOMETRIC DIMENSIONS AND TOLERANCES PER ASME Y14.5M - 1994
  - c. EDGES AND UNDIMENSIONED DETAILS PER ISO13715
  - d. CORNERS SHOWN AS SHARP TO BE R 0.2 MAX.
  - e. LETTERING SHALL BE 0.15 MAX RAISED IN 0.25 MAX RECESS PAD. THIS INCLUDES RECYCLING CODE, CAVITY ID, VENDOR IDENTIFICATION, AND CUSTOMER MATERIAL NUMBER.
  - f. VISUAL DEFECTS SHALL MEET COSMETIC STANDARD PS-45499-002 (Class B)
  - g. LASER MARKING: TBD

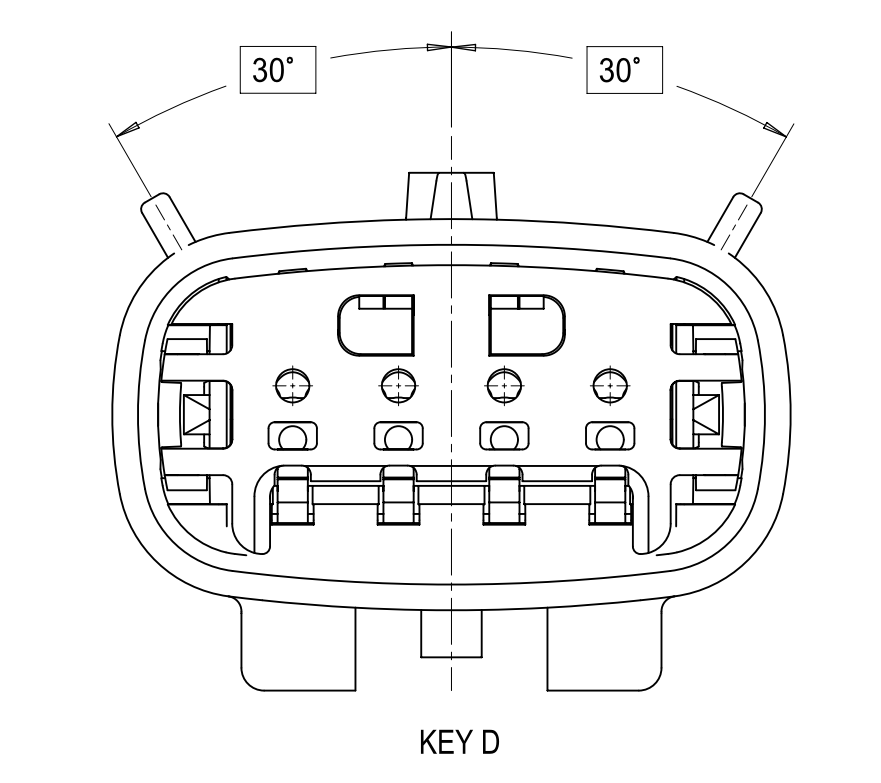
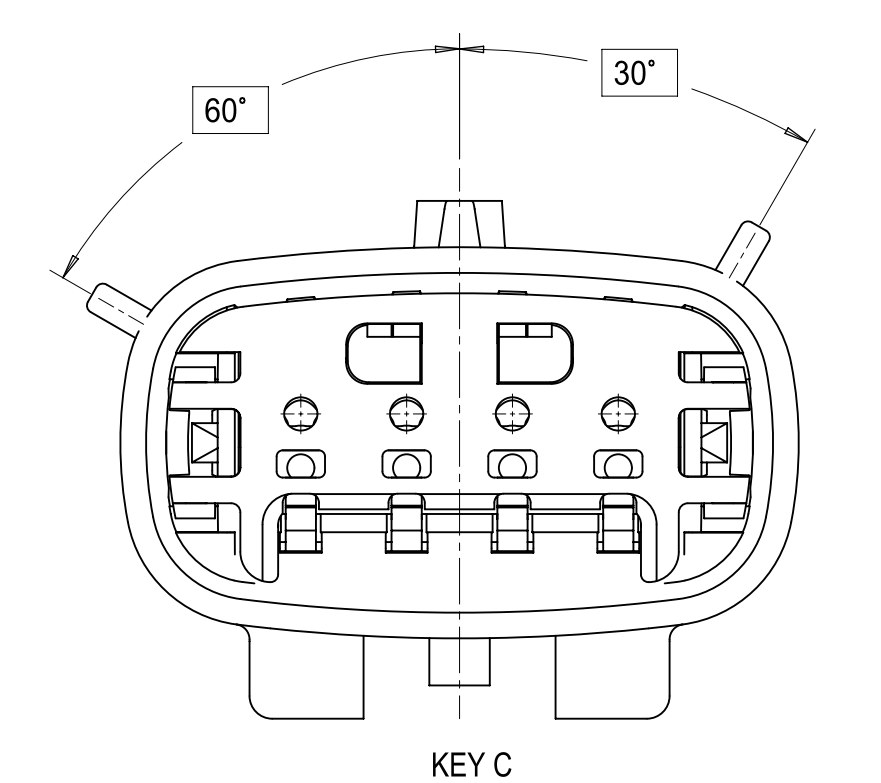
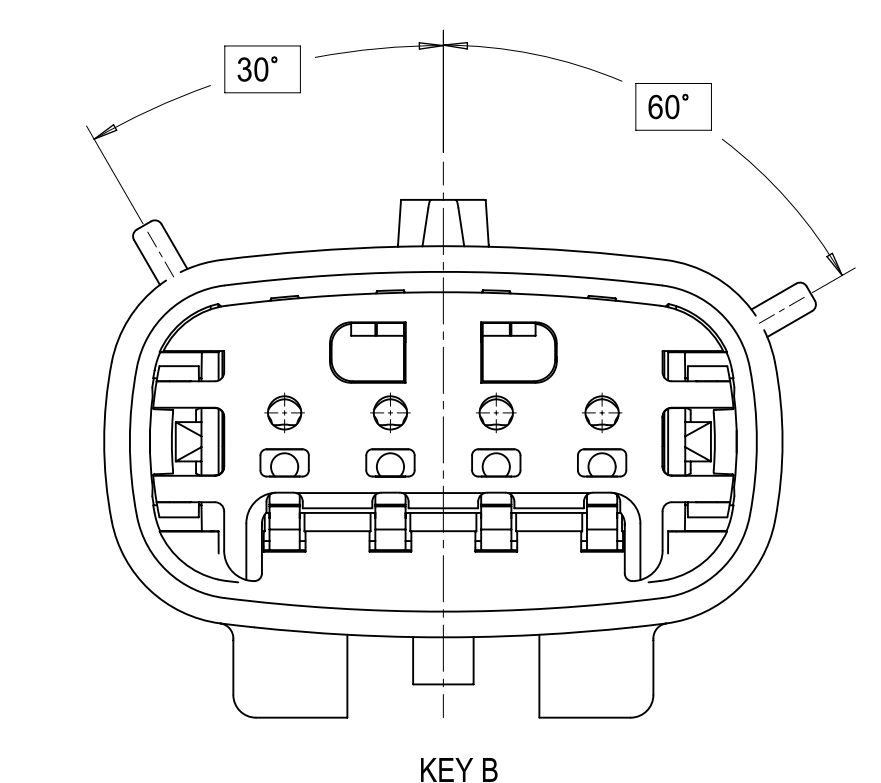
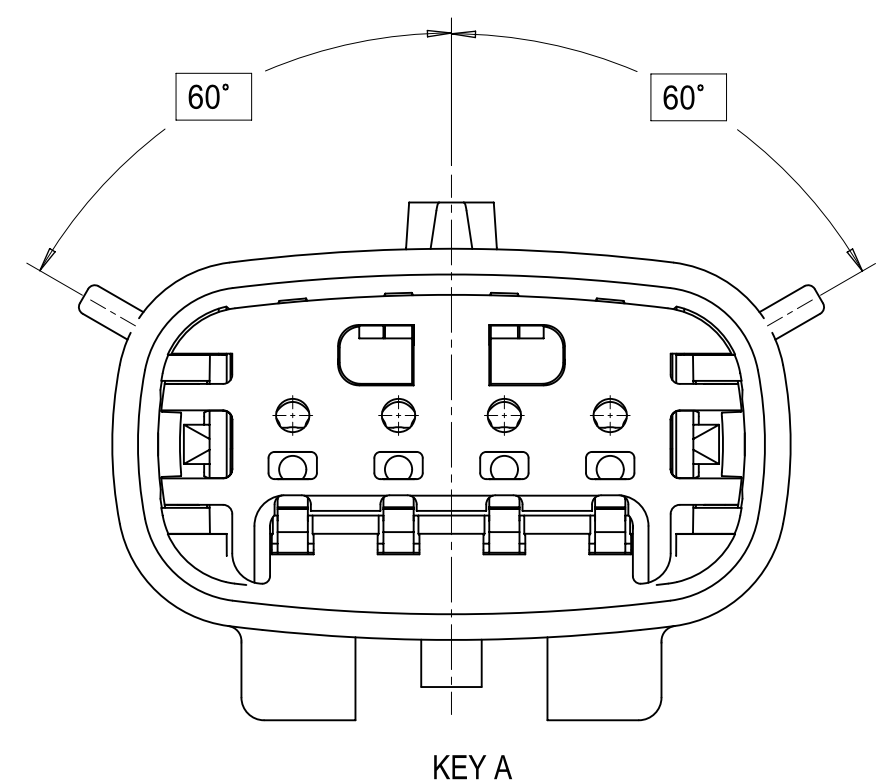


REFERENCE  
USE ONLY

K3	UPDATED THE STATUS OF P/Ns ON SHEET 5 (3128004XX) TO OBSOLETE PER PCN 512135, EXCEPT 312800442 THRU 312800445 WHICH WERE MARKED SALEABLE
K2	ADDED NEW P/N 31280-4436 TO 31280-4451
K	ADDED NEW P/N 31280-0450 31280-0451
J	ADDED NEW P/N 31280-0449
H	ADDED NEW P/N 31280-0448
G	UPDATED GROMMET CAP
F1	UPDATED DIMENSIONS TO MATCH MODEL
F	REDRAWN
REV	DESCRIPTION

QUALITY SYMBOLS	THIS DRAWING CONTAINS INFORMATION THAT IS PROPRIETARY TO MOLEX ELECTRONIC TECHNOLOGIES, LLC AND SHOULD NOT BE USED WITHOUT WRITTEN PERMISSION	
▽ = 0	EC NO: CO-00001228 DRWN: Matt Young CHKD: Joe Fox REV APPR: Katy Bonuszewski	GENERAL TOLERANCES (UNLESS SPECIFIED) DIMENSION UNITS: mm SCALE: 3:1 DRWN BY: RFC_PLMIMP DATE: 2013/03/22
▽ = 0		ANGULAR TOL ± 1 ° 4 PLACES ± 0 3 PLACES ± 0 2 PLACES ± 0.1 1 PLACE ± 0.3 0 PLACES ± 0
▽ = 0		DRAFT WHERE APPLICABLE MUST REMAIN WITHIN DIMENSIONS
▽ = 0		DRAWING SIZE: D THIRD ANGLE PROJECTION
▽ = 0		MOLEX® MX150 1X4 BLADE SEALED ASSEMBLY G Customer Product Dwg
▽ = 0		SERIES: 31280 MATERIAL NUMBER: SEE BOM CUSTOMER: GENERAL MARKET
▽ = 0		DOCUMENT NUMBER: SD-31280-200 DOC TYPE: PSD DOC PART: 001 SHEET NUMBER: 1 OF 5
▽ = 0		K3
▽ = 0		REFERENCE USE ONLY
▽ = 0		RELEASE STATUS: P1 RELEASE DATE: 02-Aug-2022 21:13:47

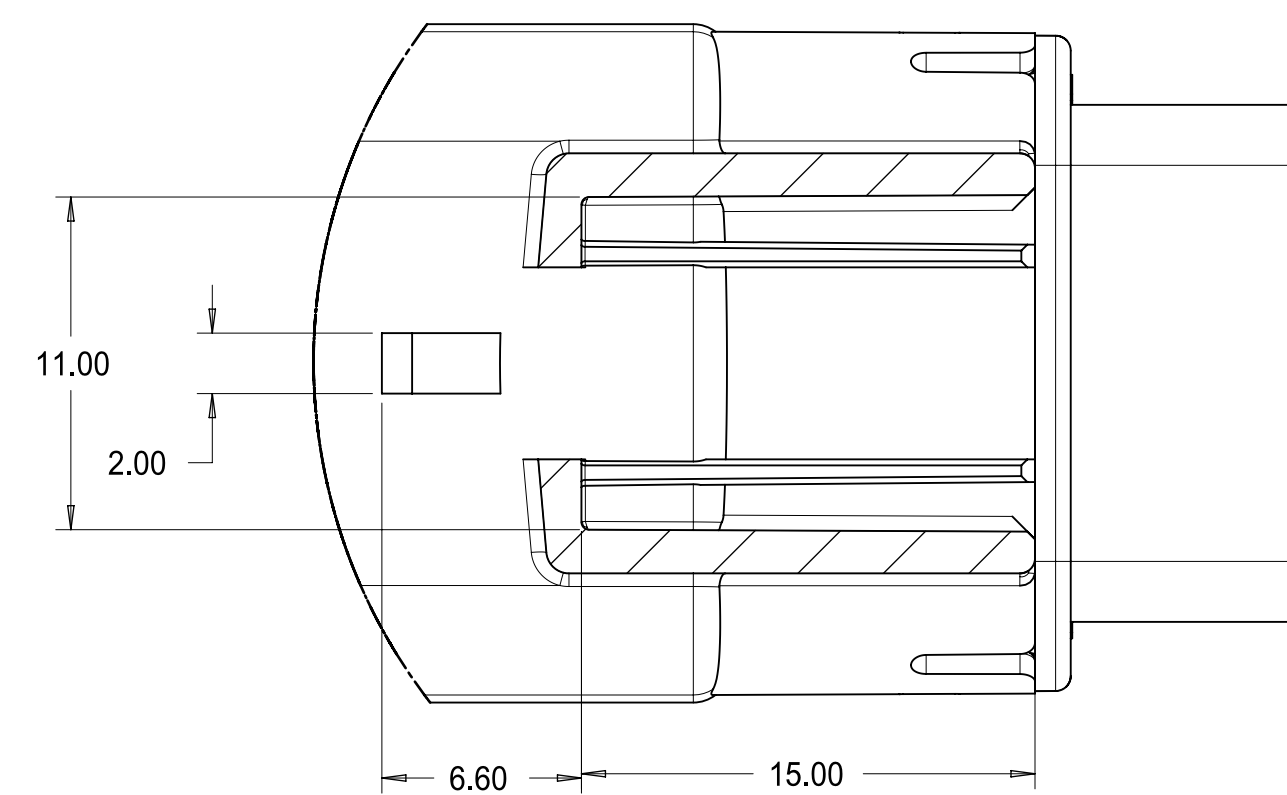
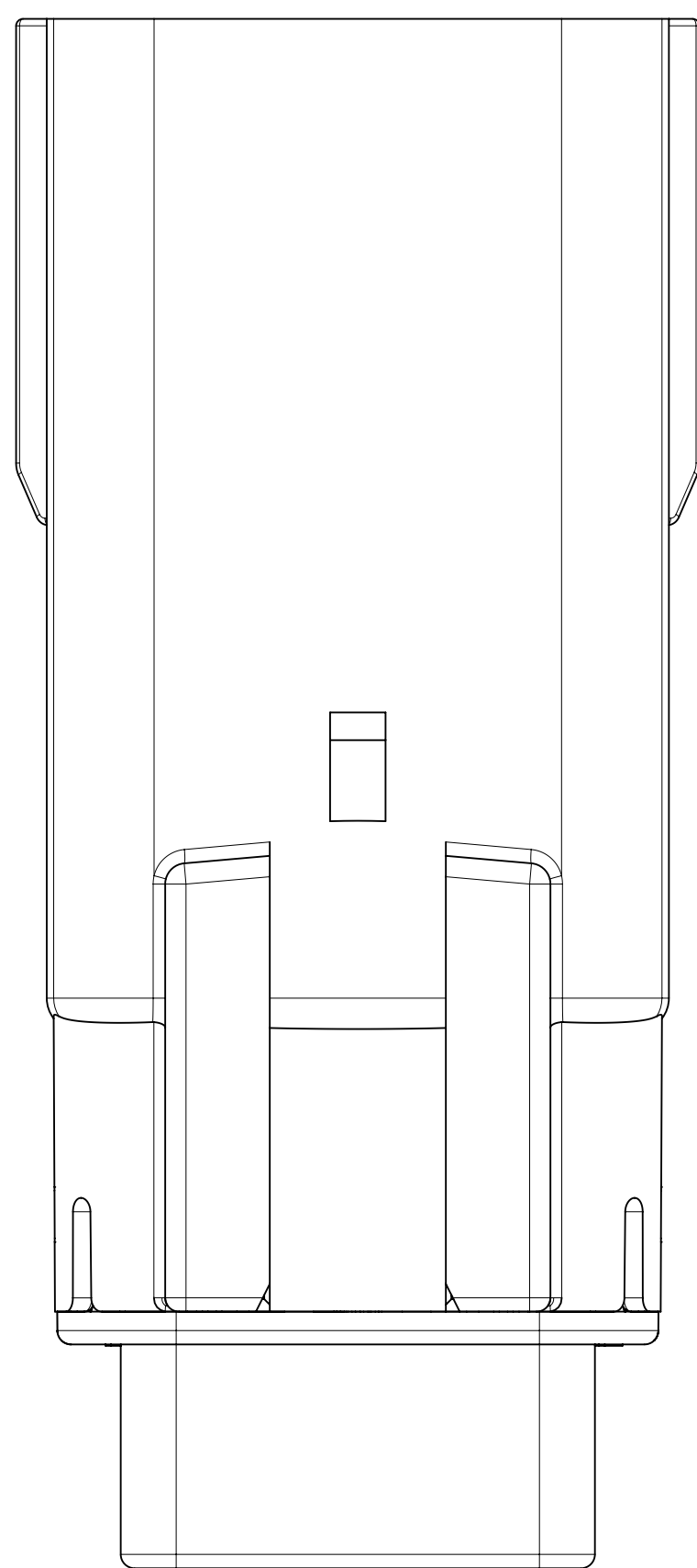
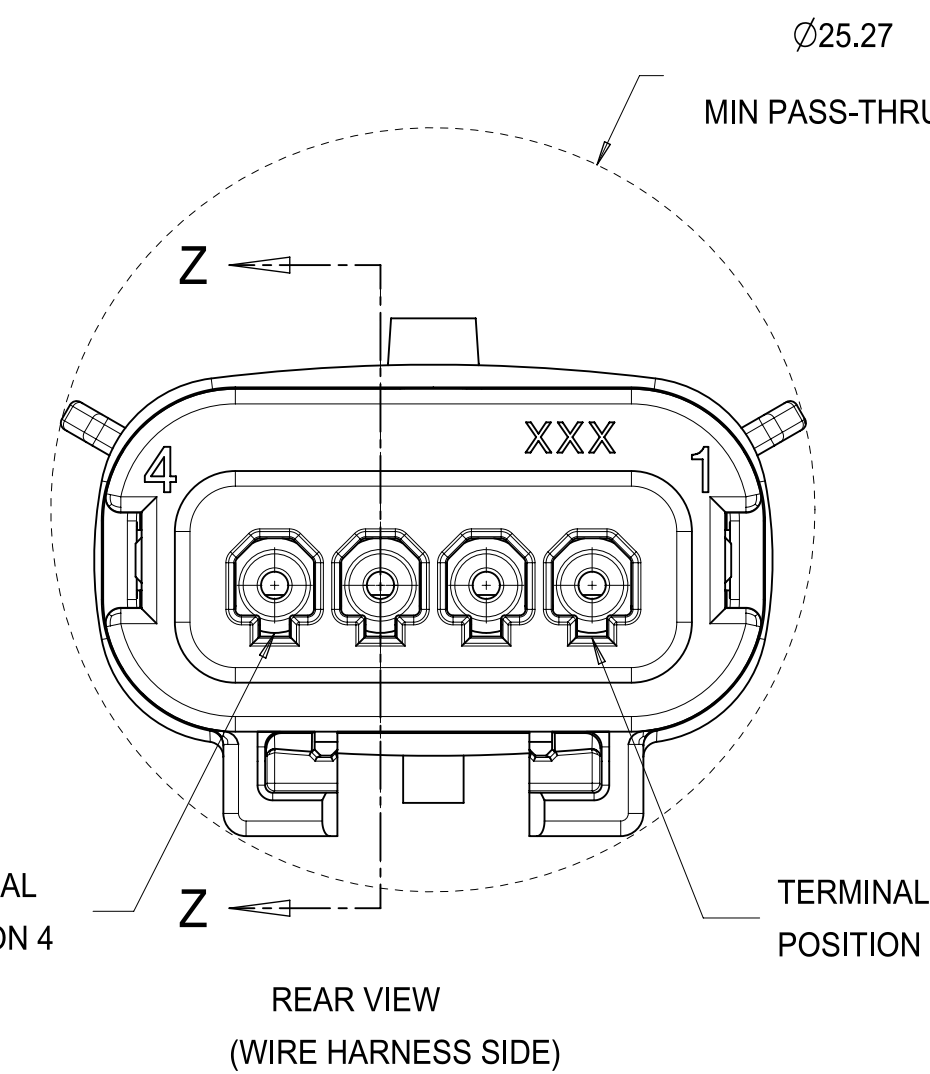
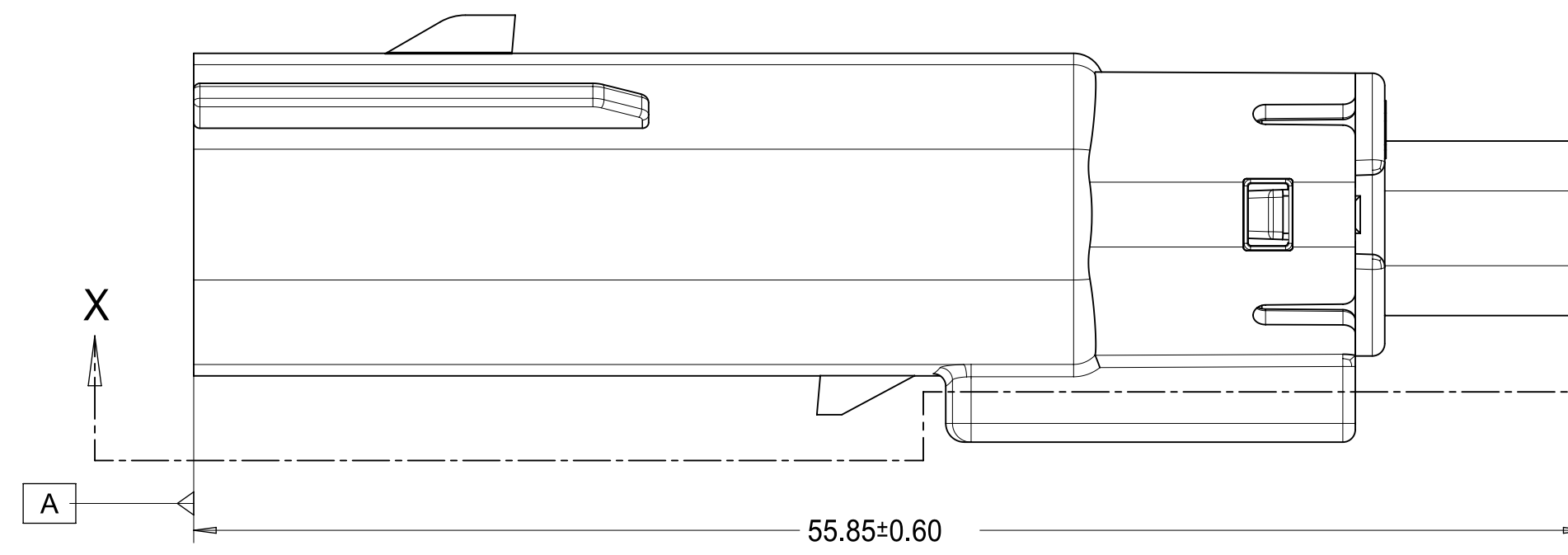
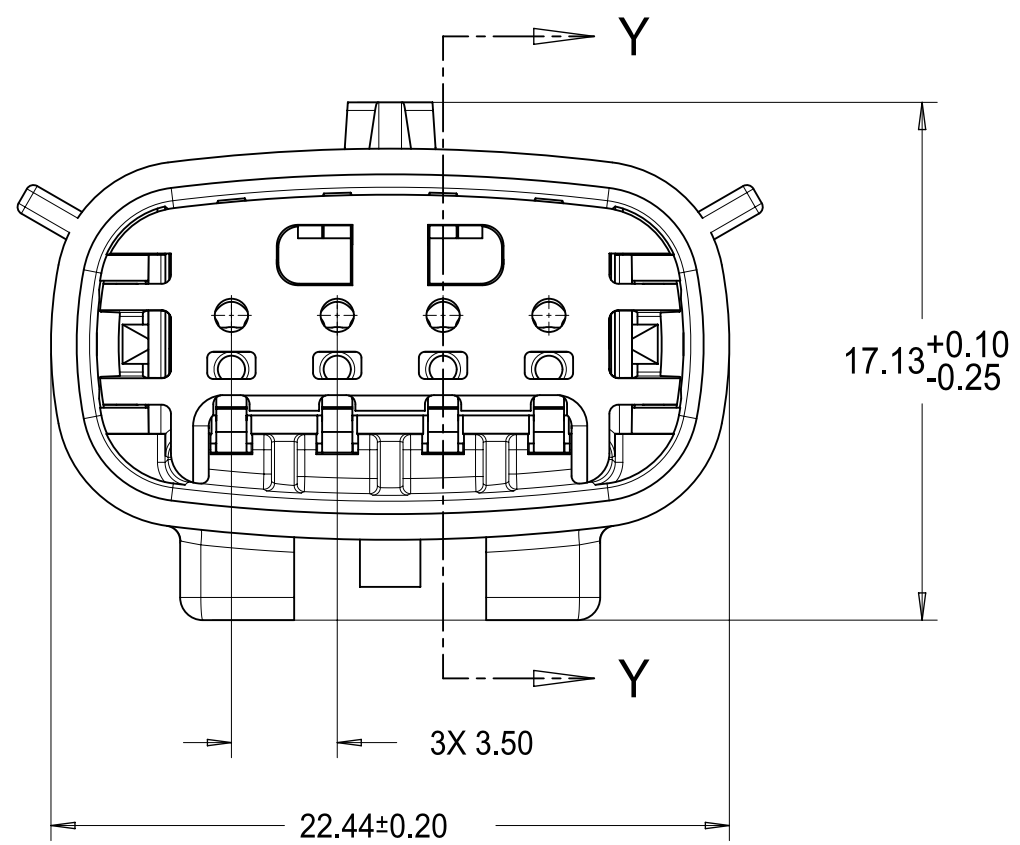
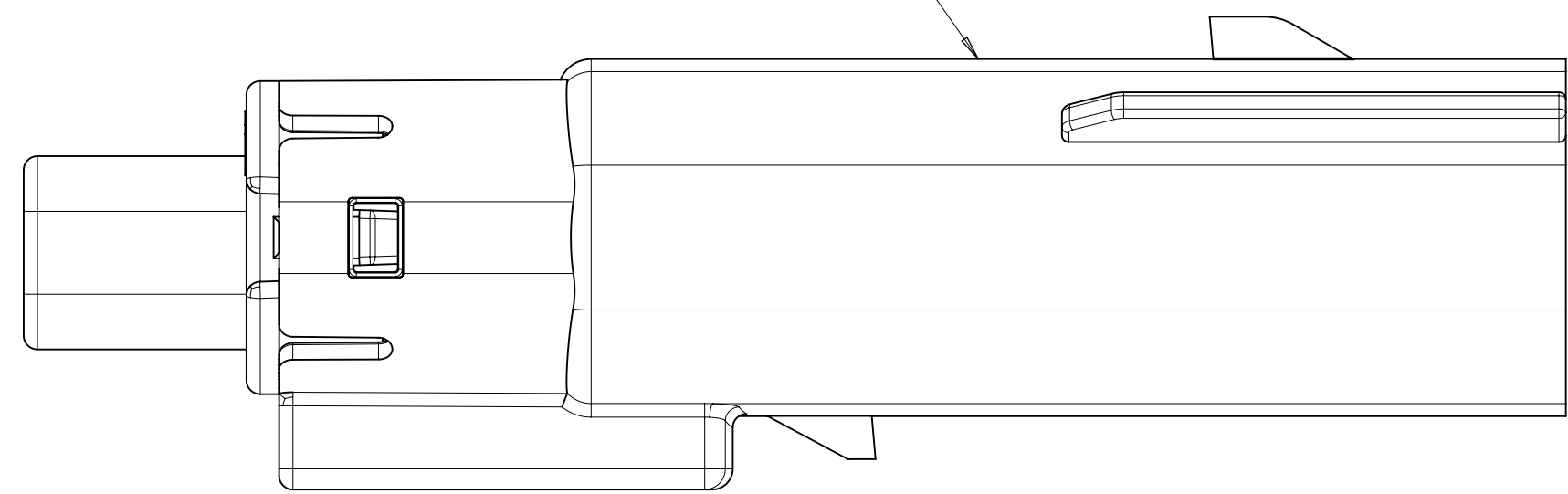
KEY CONFIGURATIONS



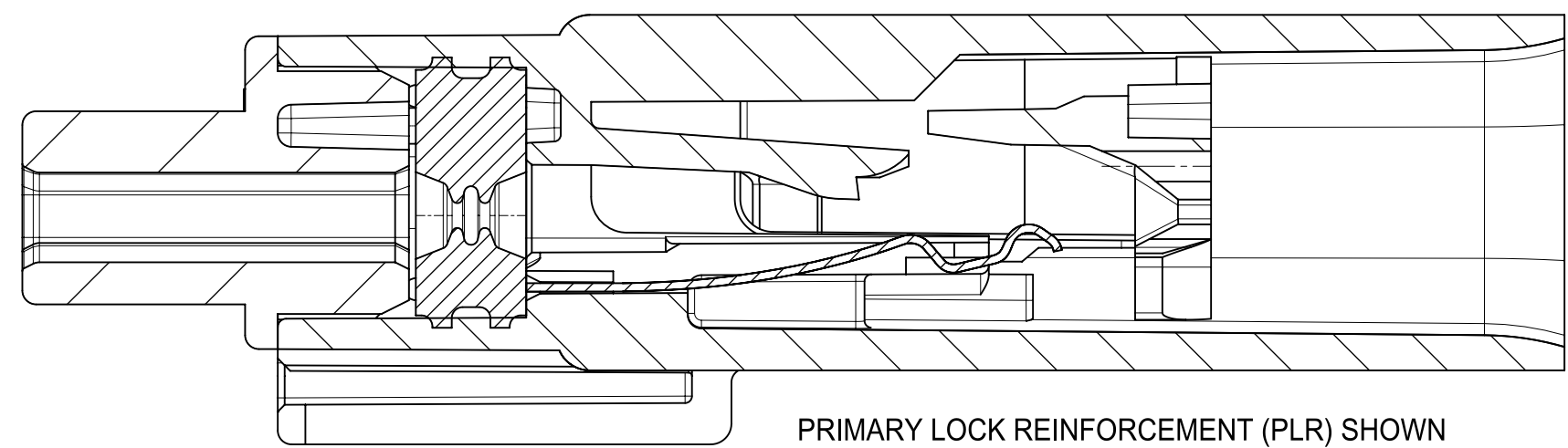
REFERENCE  
USE ONLY

<b>QUALITY SYMBOLS</b> 	THIS DRAWING CONTAINS INFORMATION THAT IS PROPRIETARY TO MOLEX ELECTRONIC TECHNOLOGIES, LLC AND SHOULD NOT BE USED WITHOUT WRITTEN PERMISSION				
	EC NO: CO-00001228 DRWN: MattYoung CHKD: Joe Fox REV APPR: Katy Bonuszewski	GENERAL TOLERANCES (UNLESS SPECIFIED) DIMENSION UNITS: mm SCALE: 4:1	molex®		
		ANGULAR TOL ± 1° 4 PLACES ± 0 3 PLACES ± 0 2 PLACES ± 0.1 1 PLACE ± 0.3 0 PLACES ± 0	DRWN BY: RFC_PLMIMP DATE:	MX150 1X4 BLADE SEALED ASSEMBLY	
		DRAFT WHERE APPLICABLE MUST REMAIN WITHIN DIMENSIONS	CHKD BY: MDICK DATE: 2013/03/22	G Customer Product Dwg	
K3	DRAWING SIZE: D THIRDO ANGLE PROJECTION	APPR BY:	DATE:	SERIES: 31280 MATERIAL NUMBER: SEE BOM CUSTOMER: GENERAL MARKET	
		DOCUMENT NUMBER: SD-31280-200 DOC TYPE: PSD DOC PART: 001 SHEET NUMBER: 2 OF 5			

OPTIONAL LASER MARKING THIS SURFACE  
SEE NOTE 3g.

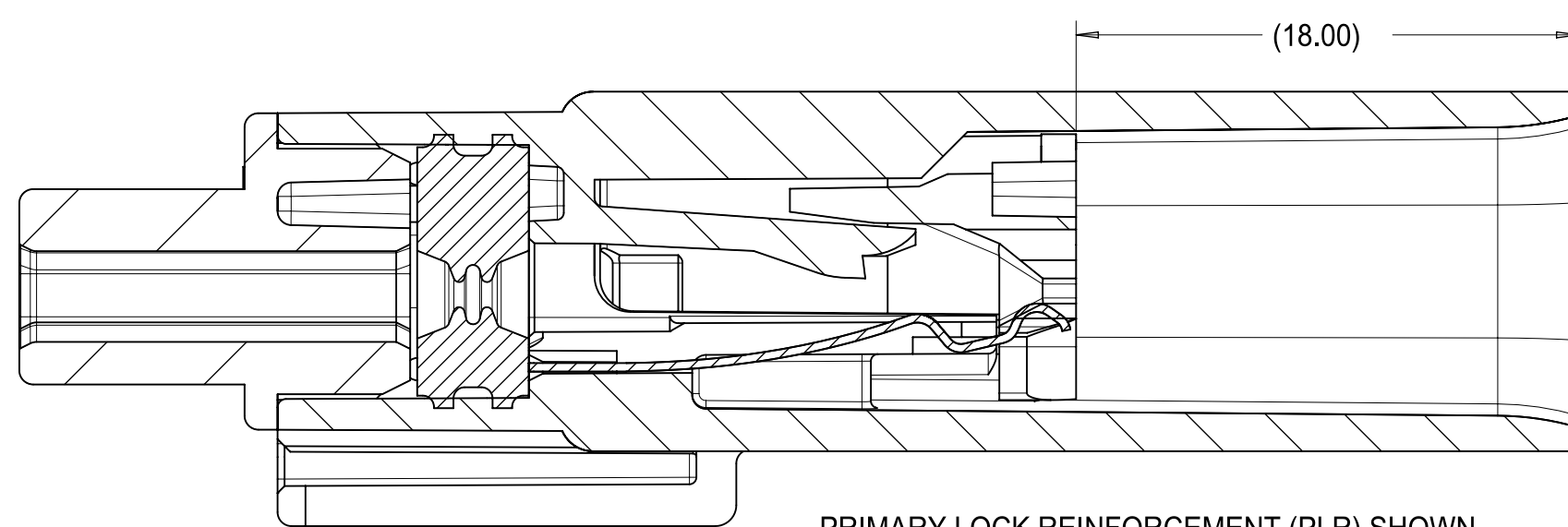


SECTION X-X  
SCALE 4:1



PRIMARY LOCK REINFORCEMENT (PLR) SHOWN  
IN PRE-STAGED POSITION

SECTION Z-Z



PRIMARY LOCK REINFORCEMENT (PLR) SHOWN  
IN FINAL-LOCK POSITION

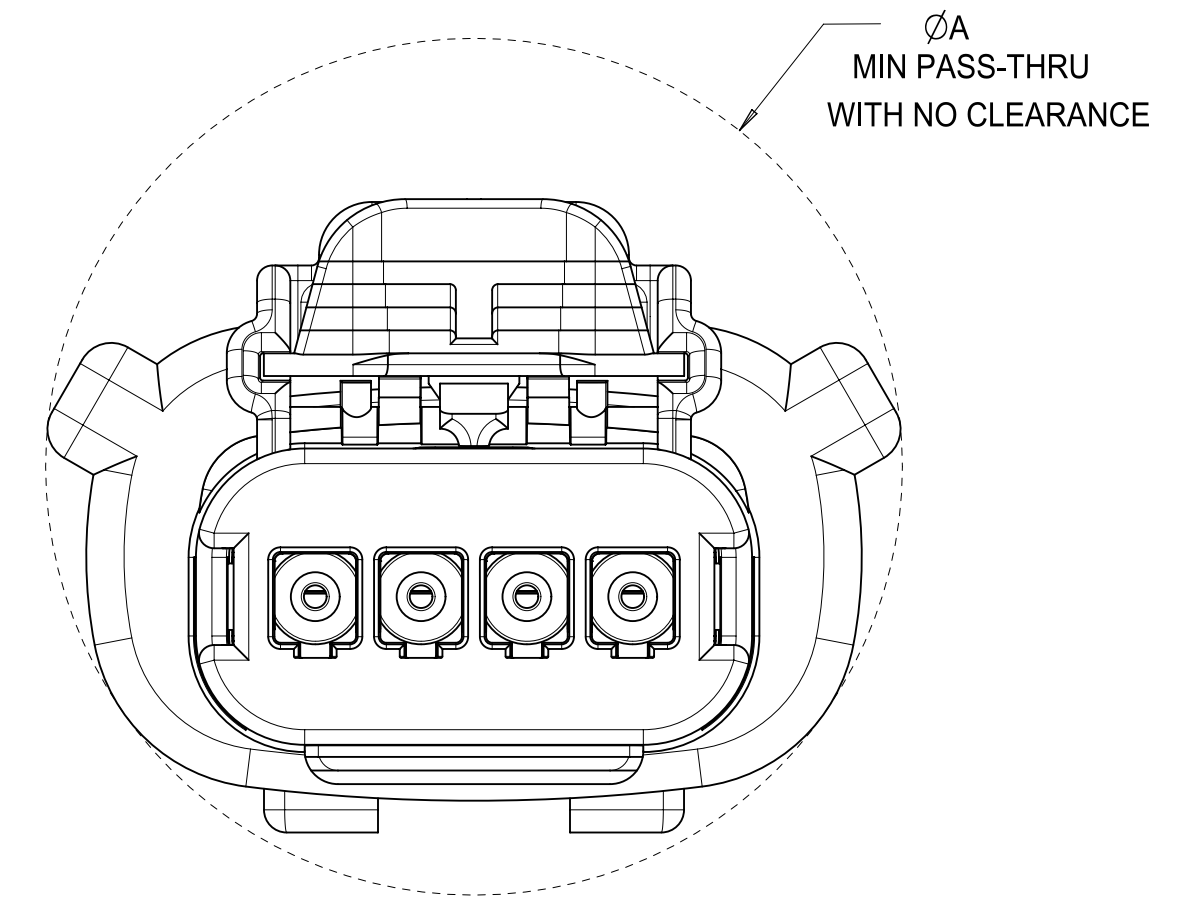
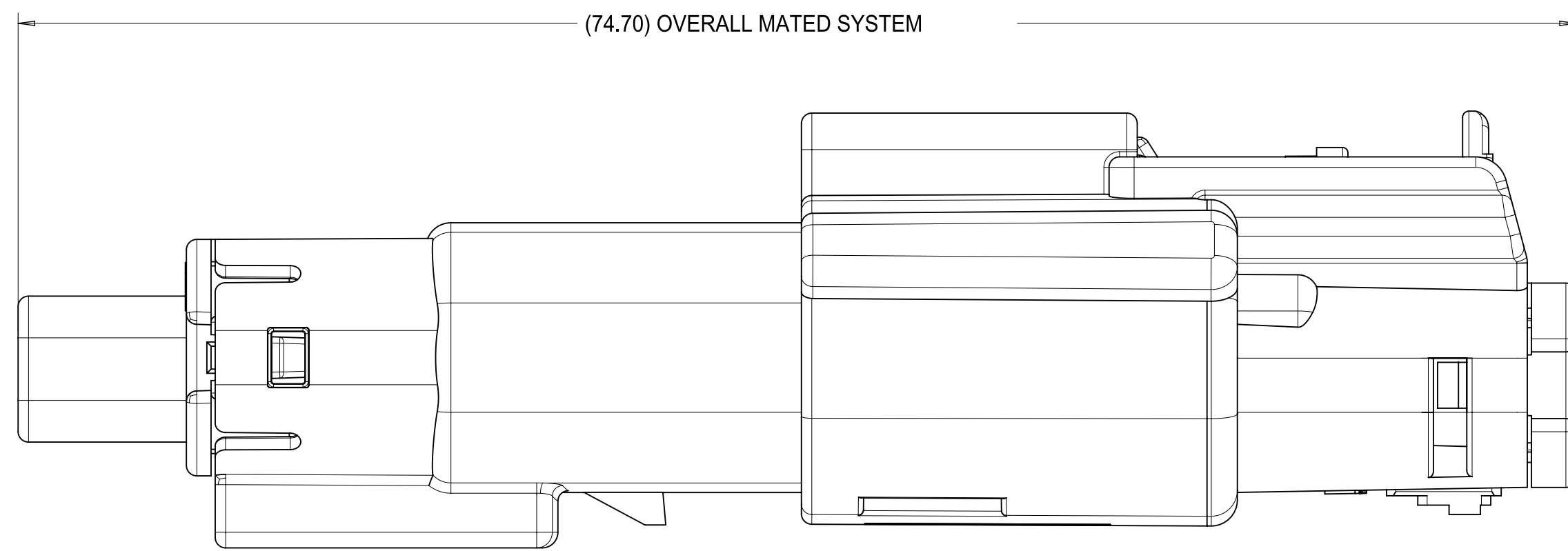
SECTION Y-Y

REFERENCE  
USE ONLY

QUALITY SYMBOLS		THIS DRAWING CONTAINS INFORMATION THAT IS PROPRIETARY TO MOLEX ELECTRONIC TECHNOLOGIES, LLC AND SHOULD NOT BE USED WITHOUT WRITTEN PERMISSION	
▽ = 0	#####	GENERAL TOLERANCES (UNLESS SPECIFIED)	DIMENSION UNITS
▽ = 0	#####	ANGULAR TOL ± 1°	mm
▽ = 0	#####	4 PLACES ± 0	SCALE
▽ = 0	#####	3 PLACES ± 0	4:1
▽ = 0	#####	2 PLACES ± 0.1	DRWN BY
▽ = 0	#####	1 PLACE ± 0.3	DATE
▽ = 0	#####	0 PLACES ± 0	MDICK
▽ = 0	#####	DRAFT WHERE APPLICABLE MUST REMAIN WITHIN DIMENSIONS	2013/03/22
▽ = 0	#####		APPR BY
▽ = 0	#####		DATE
▽ = 0	#####		DRAWING SIZE
▽ = 0	#####		THIRD ANGLE PROJECTION
			D

<b>molex</b>	
MX150 1X4 BLADE SEALED ASSEMBLY	
G Customer Product Dwg	
SERIES	MATERIAL NUMBER
31280	SEE BOM
CUSTOMER	GENERAL MARKET
DOCUMENT NUMBER	DOC TYPE
SD-31280-200	PSD
DOC PART	SHEET NUMBER
001	3 OF 5



CHARTED DIMENSIONS	
CONFIGURATION	A
MX150 1X4 RECPT SEALED ASSY - STANDARD	29.14
MX150 1X4 RECPT SEALED ASSY - ERGO	29.33
MX150 1X4 RECPT SEALED ASSY - SHORTING (SHRT) BAR	29.14

REFERENCE  
USE ONLY

<b>QUALITY SYMBOLS</b> 	THIS DRAWING CONTAINS INFORMATION THAT IS PROPRIETARY TO MOLEX ELECTRONIC TECHNOLOGIES, LLC AND SHOULD NOT BE USED WITHOUT WRITTEN PERMISSION						
	<b>GENERAL TOLERANCES (UNLESS SPECIFIED)</b> DIMENSION UNITS: mm SCALE: 4:1		DRWN BY: RFC_PLMIMP DATE:				
	ANGULAR TOL ± 1 ° 4 PLACES ± 0 3 PLACES ± 0 2 PLACES ± 0.1 1 PLACE ± 0.3 0 PLACES ± 0		CHK'D BY: MDICK DATE: 2013/03/22		<b>G Customer Product Dwg</b>		
	DRAFT WHERE APPLICABLE MUST REMAIN WITHIN DIMENSIONS		APPR BY: DATE:				
EC NO: CO-00001228 DRWN: MattYoung CHK'D: Joe Fox REV APPR: Katy Bonuszewski	<b>K3</b>	DRAWING SIZE: D THIRD ANGLE PROJECTION	DOCUMENT NUMBER: SD-31280-200	DOC TYPE: PSD	DOC PART: 001	SHEET NUMBER: 4 OF 5	

MOLEX ASSEMBLY PART NUMBER	HOUSING COLOR	KEYING OPTION	CAVITY NUMBER "X" INDICATES PLUGGED POSITION				NUMBER OF PLUGGED POSITIONS	STATUS	MAT SEAL	SHORTING BAR CIRCUITS 1&2	SHORTING BAR CIRCUITS 3&4
			1	2	3	4					
31280-0436	BLACK	A					0	OBSOLETE	PRESENT	PRESENT	PRESENT
31280-0437	LIGHT GRAY	B					0	OBSOLETE	PRESENT	PRESENT	PRESENT
31280-0438	BROWN	C					0	OBSOLETE	PRESENT	PRESENT	PRESENT
31280-0439	GREEN	D					0	OBSOLETE	PRESENT	PRESENT	PRESENT
31280-0440	CUSTOM	TBD					0	OBSOLETE	PRESENT	PRESENT	PRESENT
31280-0441	BLACK	A			X	X	2	OBSOLETE	PRESENT	PRESENT	NONE
31280-0442	BLACK	A					0	SALEABLE	NONE	PRESENT	PRESENT
31280-0443	LIGHT GRAY	B					0	SALEABLE	NONE	PRESENT	PRESENT
31280-0444	BROWN	C					0	NOT RECOMMENDED	NONE	PRESENT	PRESENT
31280-0445	GREEN	D					0	NOT RECOMMENDED	NONE	PRESENT	PRESENT
31280-0446	BLACK	A					0	OBSOLETE	PRESENT	PRESENT	NONE
31280-0447	LIGHT GRAY	B					0	OBSOLETE	PRESENT	NONE	PRESENT
31280-0448	YELLOW	A					0	OBSOLETE	PRESENT	PRESENT	PRESENT
31280-0449	YELLOW	A				X	1	OBSOLETE	PRESENT	PRESENT	NONE
31280-0450	DARK GRAY	C					0	OBSOLETE	PRESENT	PRESENT	PRESENT
31280-0451	STONE GRAY	D					0	OBSOLETE	PRESENT	PRESENT	PRESENT

MOLEX ASSEMBLY PART NUMBER	HOUSING COLOR	KEYING OPTION	CAVITY NUMBER "X" INDICATES PLUGGED POSITION				NUMBER OF PLUGGED POSITIONS	STATUS	MAT SEAL	SHORTING BAR CIRCUITS 1&2	SHORTING BAR CIRCUITS 3&4
			1	2	3	4					
31280-4436	BLACK	A					0	SALEABLE	PRESENT	PRESENT	PRESENT
31280-4437	LIGHT GRAY	B					0	SALEABLE	PRESENT	PRESENT	PRESENT
31280-4438	BROWN	C					0	NOT RECOMMENDED	PRESENT	PRESENT	PRESENT
31280-4439	GREEN	D					0	NOT RECOMMENDED	PRESENT	PRESENT	PRESENT
31280-4440	CUSTOM	TBD					0	OBSOLETE	PRESENT	PRESENT	PRESENT
31280-4441	BLACK	A				X	X	2	SALEABLE	PRESENT	NONE
31280-4442	BLACK	A					0	OBSOLETE	NONE	PRESENT	PRESENT
31280-4443	LIGHT GRAY	B					0	OBSOLETE	NONE	PRESENT	PRESENT
31280-4444	BROWN	C					0	OBSOLETE	NONE	PRESENT	PRESENT
31280-4445	GREEN	D					0	OBSOLETE	NONE	PRESENT	PRESENT
31280-4446	BLACK	A					0	SALEABLE	PRESENT	PRESENT	NONE
31280-4447	LIGHT GRAY	B					0	SALEABLE	PRESENT	NONE	PRESENT
31280-4448	YELLOW	A					0	SALEABLE	PRESENT	PRESENT	PRESENT
31280-4449	YELLOW	A					X	1	SALEABLE	PRESENT	NONE
31280-4450	DARK GRAY	C					0	SALEABLE	PRESENT	PRESENT	PRESENT
31280-4451	STONE GRAY	D					0	SALEABLE	PRESENT	PRESENT	PRESENT

REFERENCE USE ONLY


<b>QUALITY SYMBOLS</b> □ = 0 ▽ = 0 ▽ = 0 ▽ = 0 ▽ = 0 ▽ = 0 ▽ = 0 ▽ = 0 ▽ = 0 ▽ = 0 ▽ = 0	THIS DRAWING CONTAINS INFORMATION THAT IS PROPRIETARY TO MOLEX ELECTRONIC TECHNOLOGIES, LLC AND SHOULD NOT BE USED WITHOUT WRITTEN PERMISSION										
	EC NO: CO-00001228 DRWN: Matt Young CHKD: Joe Fox REV APPR: Katy Bonuszewski	GENERAL TOLERANCES (UNLESS SPECIFIED)		DIMENSION UNITS	SCALE	  MX150 1X4 BLADE SEALED ASSEMBLY  G Customer Product Dwg					
		ANGULAR TOL ± 1 °		mm	1:1						
		4 PLACES ± 0	DRWN BY	DATE							
		3 PLACES ± 0	CHKD BY	DATE							
		2 PLACES ± 0.1	APPR BY	DATE							
	1 PLACE ± 0.3	DRAWING SIZE		THIRD ANGLE PROJECTION	SERIES: 31280    MATERIAL NUMBER: SEE BOM    CUSTOMER: GENERAL MARKET						
	0 PLACES ± 0	DRAFT WHERE APPLICABLE MUST REMAIN WITHIN DIMENSIONS		D	DOCUMENT NUMBER: SD-31280-200    DOC TYPE: PSD    DOC PART: 001    SHEET NUMBER: 5 OF 5						
	K3										

TABLE OF CONTENTS	
SHEET NO.	SHEET DESCRIPTION
1	NOTES AND BOM
2	CONFIGURATIONS
3-4	KEY CONFIGURATIONS
5	RECEPTACLE CONNECTOR ASSEMBLY
6	BACKSHELL NOTES
7	BACKSHELL
8	BACKSHELL CONFIGURATIONS

NOTES: VALID UNLESS OTHERWISE SPECIFIED

1. GENERAL:
- a. APPLICATION SPECIFICATION SEE: AS-33472-100
- CONTAINS: PRODUCT INTRODUCTION, PRODUCT SUMMARY, CONNECTOR ASSEMBLY, PACKAGING INFORMATION, CONNECTOR MATING, SERVICE INSTRUCTIONS, ELECTRICAL CONTINUITY CHECKING, CRIMPING, AND TROUBLESHOOTING.
  - DESIGNED TO MATE WITH DEVICE OR CONNECTOR AS SPECIFIED IN THE MATING INTERFACE/CONNECTOR DRAWINGS CHART.
  - \*DENOTES DRAWINGS THAT CAN BE ACCESSED AT <<http://ewcap.uscarteams.org/>>.
  - ASSEMBLY SHIPPED WITH PLR IN PRE-LOCK POSITION (SEE PLR PRE-LOCK VIEW SHEET 5).

- b. PRODUCT SPECIFICATION SEE:
- STANDARD CONFIGURATION: PS-33471-000
  - UL V0 CONFIGURATION: PS-160105-0001
  - CONTAINS: PRODUCT INTRODUCTION, PRODUCT SUMMARY, RATINGS (CURRENT, TEMPERATURE, SEALING, AND FLAMMABILITY), TERMINALS, WIRE DIAMETER RANGE, PRODUCT VALIDATION, AND PRODUCT DEVIATIONS.

c. PACKAGING SPECIFICATION PER MOLEX DRAWING: SEE PACKAGING CHART

d. PARTS MUST BE IN COMPLIANCE TO MOLEX CHEMICAL SUBSTANCES FOR PRODUCTS AND PACKAGING SPECIFICATION: QEHS-699000-301

e. DATA MUST BE SUBMITTED UNDER THE MOLEX PART NUMBER TO IMDS (COMPANY ID#13255)

2. DESIGN - MATERIALS:

- a. FOR BILL OF MATERIALS SEE:
- STANDARD CONFIGURATION SD-33471-0002
  - UL V0 CONFIGURATION SD-160105-0002

3. DESIGN - GEOMETRY:

a. THE 3-D CAD DATA IS BASIC (WITHOUT TOLERANCE) AND MASTER FOR THIS PART WITH THE EXCEPTION OF UNDERLINED DIMENSIONS. DIMENSIONAL INFORMATION NOT SHOWN ON THIS DRAWING IS DEFINED BY THE DATA FILE AT ITS LATEST REVISION.

b. GEOMETRIC DIMENSIONS AND TOLERANCES PER ASME Y14.5M-2009

c. EDGES AND UNDIMENSIONED DETAILS PER ISO13715

d. CORNERS SHOWN AS SHARP TO BE R 0.2 MAX.

e. LETTERING SHALL BE 0.15 MAX RAISED IN 0.25 MAX RECESS PAD. THIS INCLUDES RECYCLING CODE, CAVITY ID, VENDOR IDENTIFICATION, AND CUSTOMER MATERIAL NUMBER.

f. VISUAL DEFECTS SHALL MEET COSMETIC STANDARD PS-45499-002 (Class B).

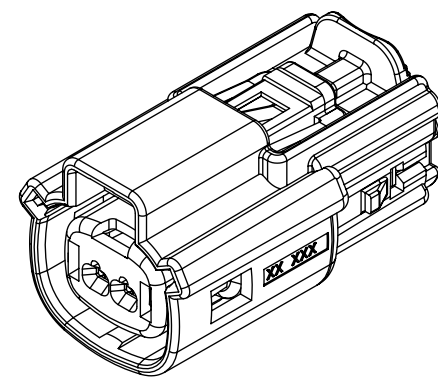
g. LASER MARKING:

- PART NUMBER
- DAY OF THE YEAR
- SHIFT
- YEAR

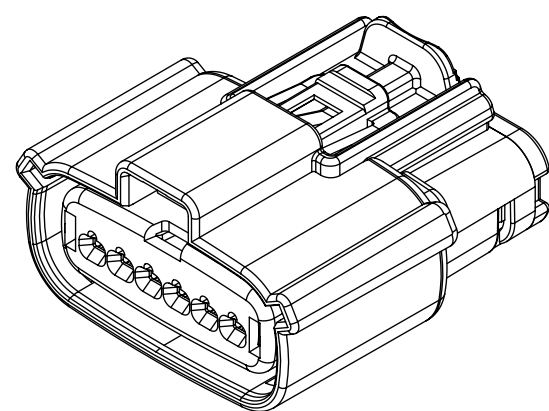
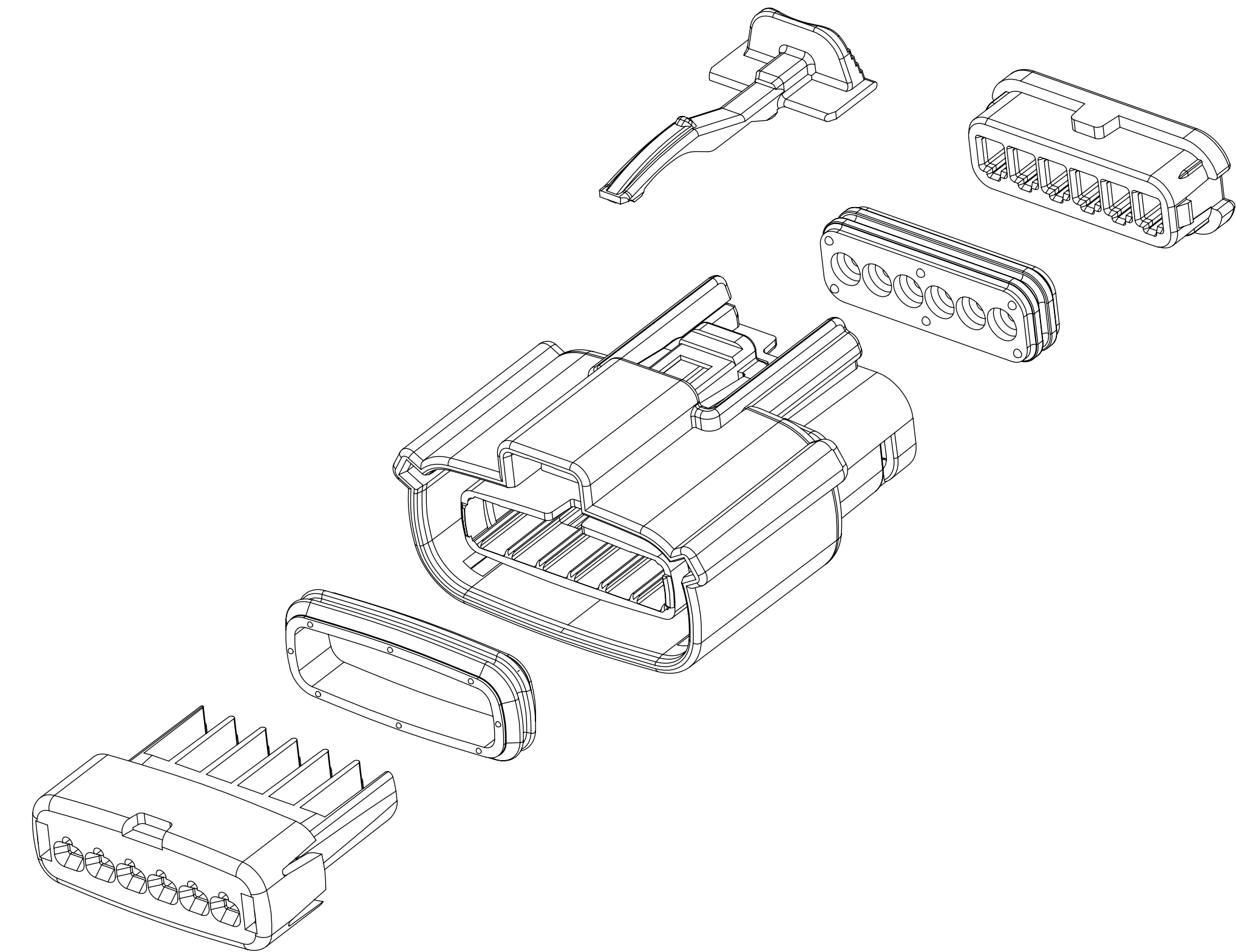
FOR ADDITIONAL INFORMATION SEE SECTION 5 UNDER PROCEDURES IN ES-34735-008.

PACKAGING	
DESCRIPTION	DRAWING NO.
1X2	PK-31300-635
1X6	PK-31300-903

MATING INTERFACE/CONNECTOR DRAWINGS		
DESCRIPTION	INTERFACE DEFINITION	MOLEX INLINE
1X2	*150-S-002-1-Z05	SD-33481-0001
1X6	*150-S-006-1-Z03	SD-33481-0001



1x2



1x6

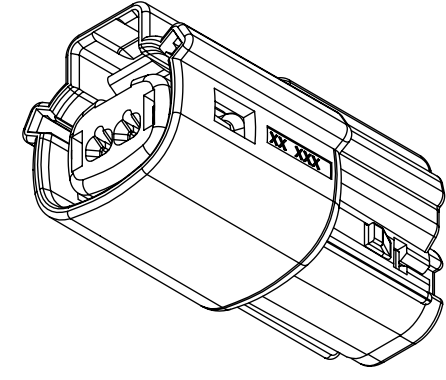
REV	REV DESCRIPTION
A1	UPDATED THE DRAWING FRAME
A	MINOR GEOMETRY CHANGE FOR UL V0
2	UPDATE VIEWSETS
1	INITIAL RELEASE

INSPECTION NUMBER LOG	
LAST NUMBER: 11	ADDED: 11
REMOVED:	

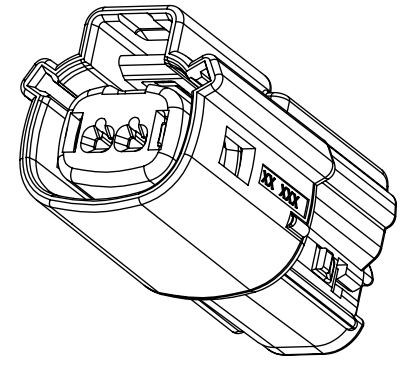
FUNCTIONAL SYMBOLS	THIS DRAWING CONTAINS INFORMATION THAT IS PROPRIETARY TO MOLEX ELECTRONIC TECHNOLOGIES, LLC AND SHOULD NOT BE USED WITHOUT WRITTEN PERMISSION		CURRENT REV DESC:				
	$\nabla_A = 0$ $\nabla_C = 0$ $\nabla_P = 0$	DIMENSION UNITS: <b>mm</b> SCALE: <b>1.5:1</b>	EC NO: 643941 DRWN: XLDONG03 2020/08/21 CHK'D: JDENG02 2020/08/26 APPR: JDENG02 2020/08/26			<b>MX150 RCPT</b> <b>SINGLE ROW SEALED ASSY MAT SEAL</b> PRODUCT CUSTOMER DRAWING	
DIVISIONAL SYMBOLS	GENERAL TOLERANCES (UNLESS SPECIFIED) ANGULAR TOL $\pm 1.0^\circ$	4 PLACES $\pm$ 3 PLACES $\pm$ 2 PLACES $\pm 0.1$ 1 PLACE $\pm 0.2$ 0 PLACES $\pm$	INITIAL REVISION: DRWN: APROFFITT 2015/11/04 APPR: KDEKOSHI 2016/06/14	DOCUMENT NUMBER: <b>SD-33471-0001</b> DOC TYPE: PSD DOC PART: 001 REVISION: <b>A1</b>			
DRAFT WHERE APPLICABLE MUST REMAIN WITHIN DIMENSIONS		THIRD ANGLE PROJECTION	DRAWING: <b>D-SIZE</b>	SERIES: <b>33471</b>	MATERIAL NUMBER: SEE NOTE 2a	CUSTOMER: GENERAL MARKET	SHEET NUMBER: 1 OF 8

# SHEET DESCRIPTION

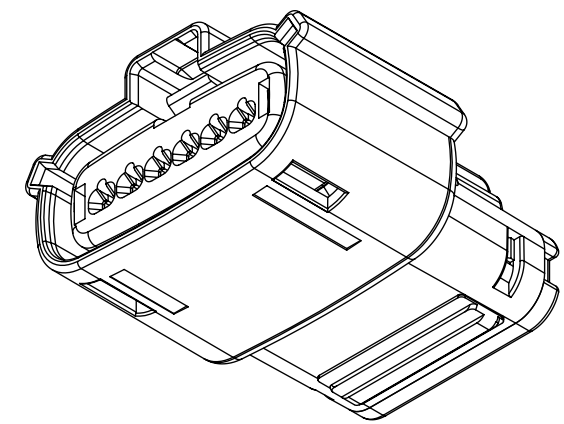
## CONFIGURATIONS



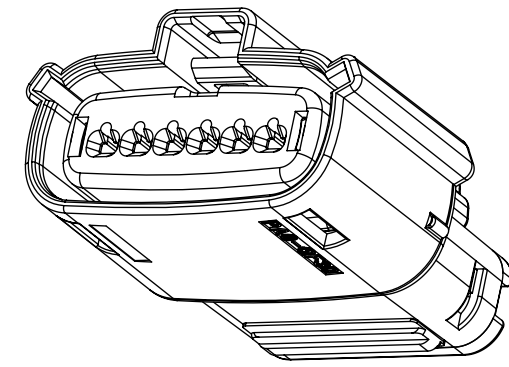
1x2 - STD



1x2 - UL V0\*



1x6 - STD



1x6 - UL V0\*

\*MINOR GEOMETRY DIFFERENCE THAN STANDARD CONFIGURATION  
SEE NOTES 1 & 2 FOR MORE INFORMATION

FUNCTIONAL SYMBOLS	THIS DRAWING CONTAINS INFORMATION THAT IS PROPRIETARY TO MOLEX ELECTRONIC TECHNOLOGIES, LLC AND SHOULD NOT BE USED WITHOUT WRITTEN PERMISSION		
	DIMENSION UNITS	SCALE	CURRENT REV DESC:
$\nabla_A = 0$	mm	1.5:1	EC NO: 643941 DRWN: XLDONG03 2020/08/21 CHK'D: JDENG02 2020/08/26 APPR: JDENG02 2020/08/26 INITIAL REVISION: DRWN: APROFFITT 2015/11/04 APPR: KDEKOSKI 2016/06/14
$\nabla_C = 0$	GENERAL TOLERANCES (UNLESS SPECIFIED)		
$\nabla_P = 0$	ANGULAR TOL $\pm 1.0^\circ$		
DIVISIONAL SYMBOLS	4 PLACES	$\pm$	
	3 PLACES	$\pm$	
	2 PLACES	$\pm 0.1$	
	1 PLACE	$\pm 0.2$	
	0 PLACES	$\pm$	
DRAFT WHERE APPLICABLE MUST REMAIN WITHIN DIMENSIONS		THIRD ANGLE PROJECTION	DRAWING: D-SIZE SERIES: 33471
DOCUMENT STATUS	P1	RELEASE DATE	DOCUMENT NUMBER: SD-33471-0001 DOC TYPE: PSD DOC PART: 001 REVISION: A1
2020/08/26	07:23:52		MATERIAL NUMBER: SEE NOTE 2a CUSTOMER: GENERAL MARKET SHEET NUMBER: 2 OF 8

# molex

MX150 RCPT  
SINGLE ROW SEALED ASSY MAT SEAL

PRODUCT CUSTOMER DRAWING

SD-33471-0001

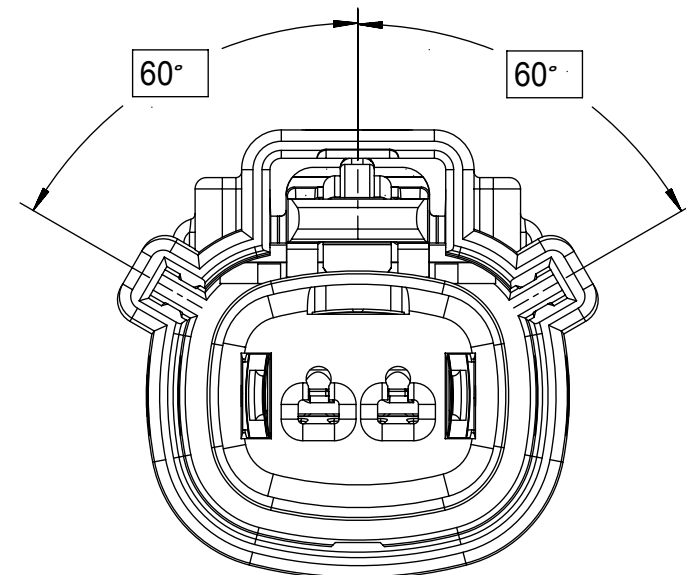
PSD 001 A1

SEE NOTE 2a GENERAL MARKET 2 OF 8

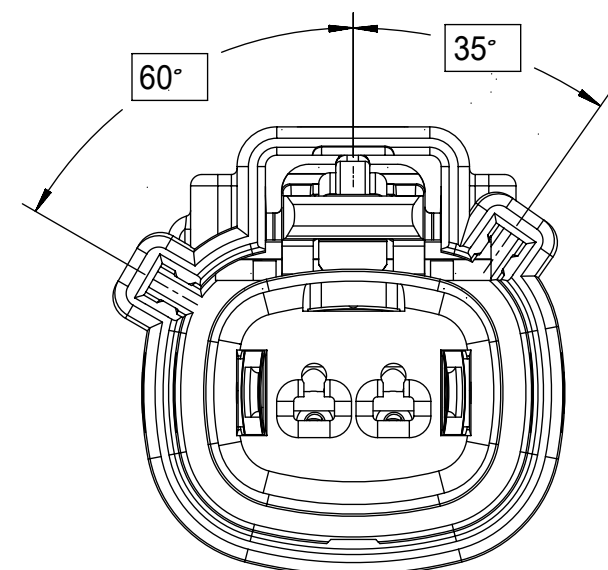
**SHEET DESCRIPTION**

KEY CONFIGURATIONS

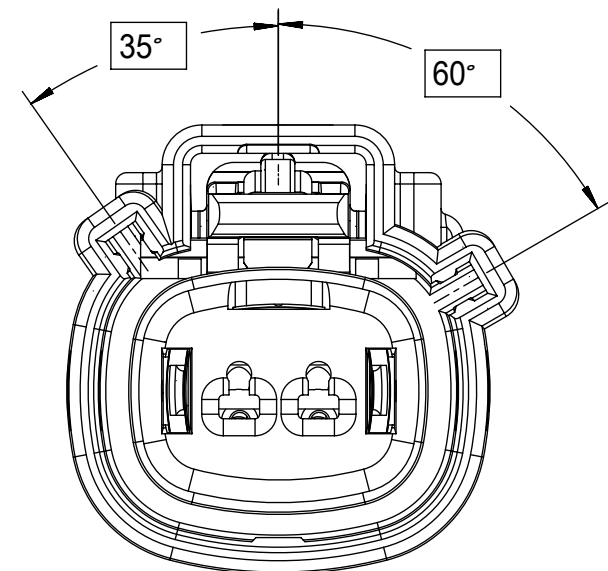
1X2



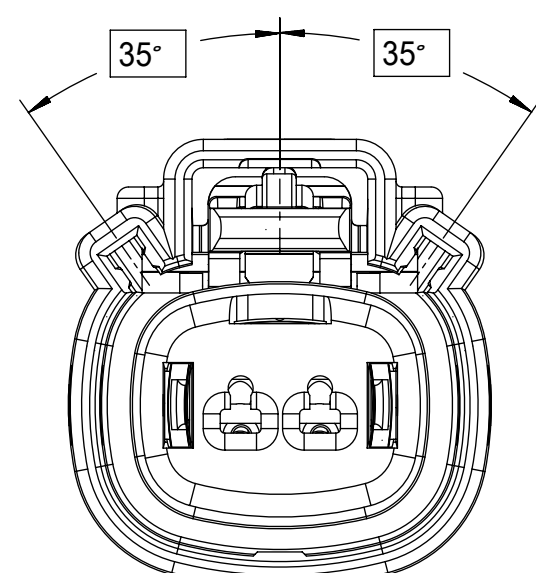
KEY A



KEY B



KEY C



KEY D

THIS DRAWING CONTAINS INFORMATION THAT IS PROPRIETARY TO MOLEX ELECTRONIC TECHNOLOGIES, LLC AND SHOULD NOT BE USED WITHOUT WRITTEN PERMISSION

FUNCTIONAL SYMBOLS	DIMENSION UNITS	SCALE	CURRENT REV DESC:
$\nabla_A = 0$	mm	3:1	
$\nabla_C = 0$	GENERAL TOLERANCES (UNLESS SPECIFIED)		
$\nabla_P = 0$	ANGULAR TOL $\pm 1.0^\circ$		
DIVISIONAL SYMBOLS	4 PLACES	$\pm$	
	3 PLACES	$\pm$	
	2 PLACES	$\pm 0.1$	
	1 PLACE	$\pm 0.2$	
	0 PLACES	$\pm$	
	DRAFT WHERE APPLICABLE MUST REMAIN WITHIN DIMENSIONS		

EC NO: 643941	
DRWN: XLDONG03	2020/08/21
CHK'D: JDENG02	2020/08/26
APPR: JDENG02	2020/08/26
INITIAL REVISION:	
DRWN: APROFFITT	2015/11/04
APPR: KDEKOSKI	2016/06/14
THIRD ANGLE PROJECTION	DRAWING
	<b>D-SIZE</b>
SERIES	MATERIAL NUMBER
33471	SEE NOTE 2a

**molex**

MX150 RCPT  
SINGLE ROW SEALED ASSY MAT SEAL

PRODUCT CUSTOMER DRAWING

DOCUMENT NUMBER	DOC TYPE	DOC PART	REVISION
<b>SD-33471-0001</b>	PSD	001	<b>A1</b>

CUSTOMER: GENERAL MARKET

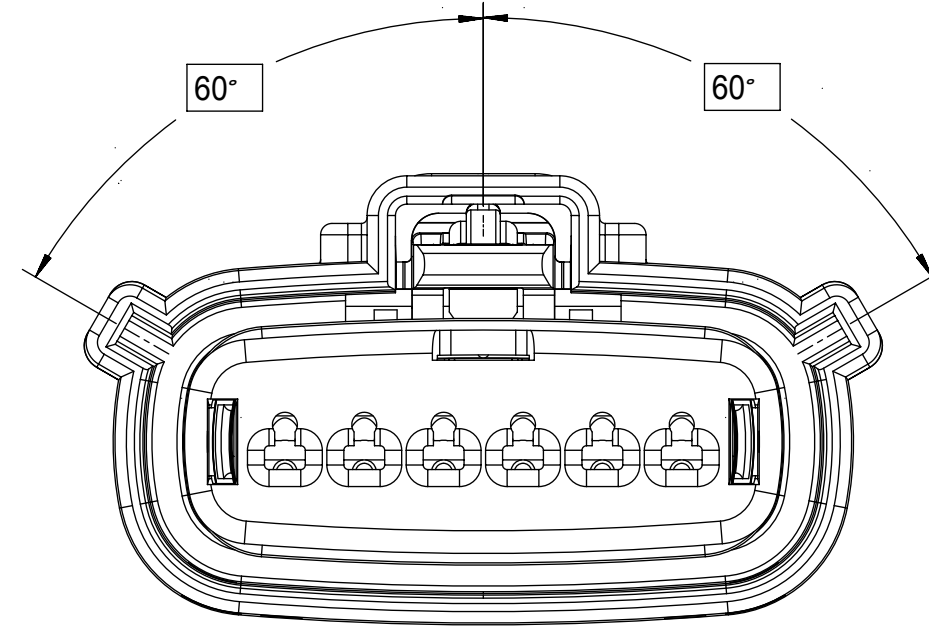
SHEET NUMBER: 3 OF 8



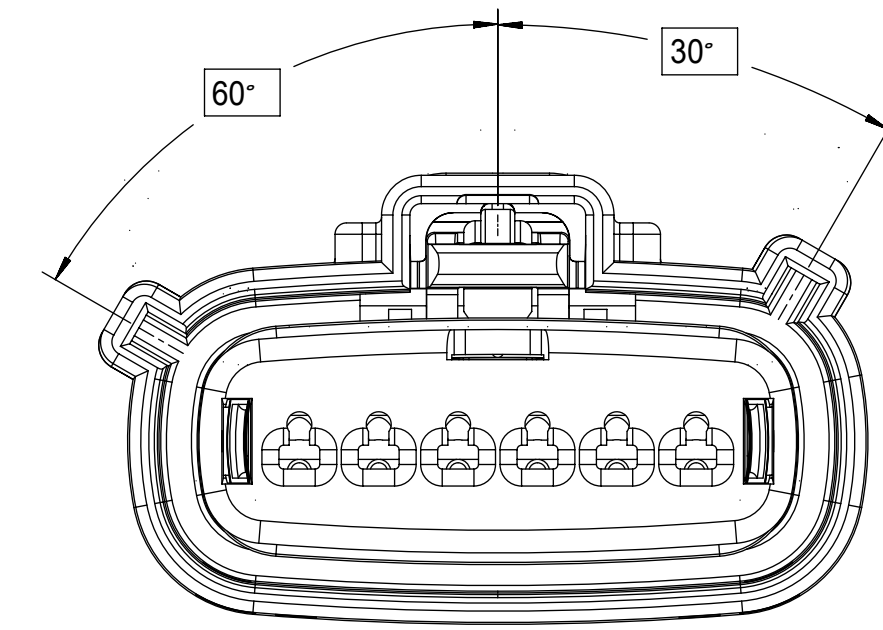
**SHEET DESCRIPTION**

KEY CONFIGURATIONS CONT.

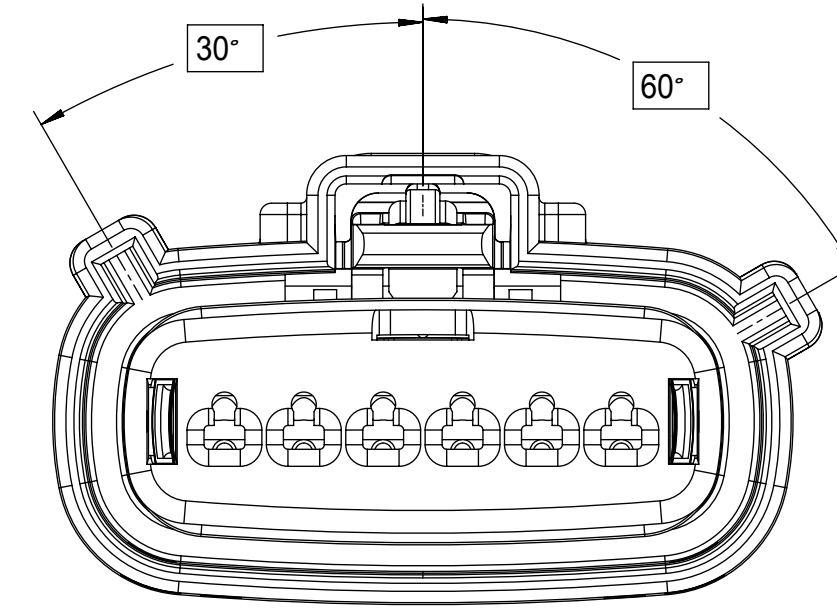
**1X6**



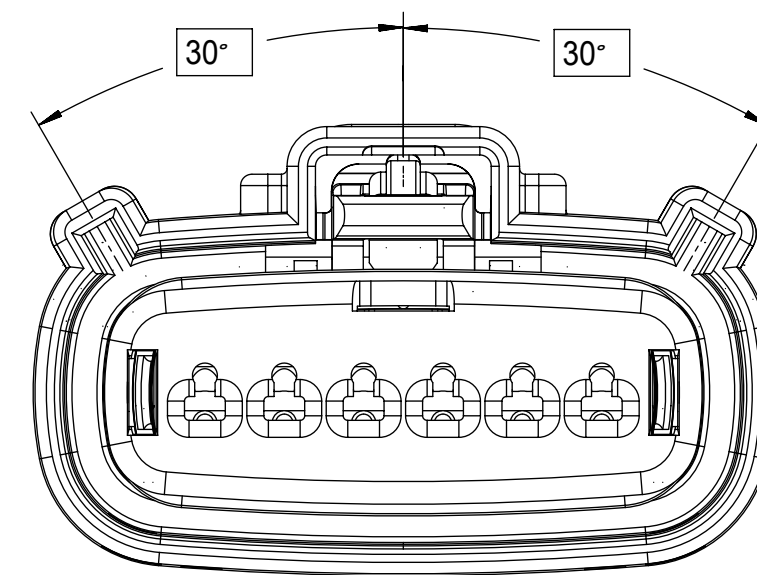
KEY A



KEY B



KEY C



KEY D

FUNCTIONAL SYMBOLS	THIS DRAWING CONTAINS INFORMATION THAT IS PROPRIETARY TO MOLEX ELECTRONIC TECHNOLOGIES, LLC AND SHOULD NOT BE USED WITHOUT WRITTEN PERMISSION		
	DIMENSION UNITS	SCALE	CURRENT REV DESC:
$\nabla_A = 0$	mm	3:1	
$\nabla_C = 0$	GENERAL TOLERANCES (UNLESS SPECIFIED)		
$\nabla_D = 0$	ANGULAR TOL $\pm 1.0^\circ$		
DIVISIONAL SYMBOLS	4 PLACES	$\pm$	EC NO: 643941
	3 PLACES	$\pm$	DRWN: XLDONG03 2020/08/21
	2 PLACES	$\pm 0.1$	CHK'D: JDENG02 2020/08/26
	1 PLACE	$\pm 0.2$	APPR: JDENG02 2020/08/26
	0 PLACES	$\pm$	INITIAL REVISION: DRWN: APROFFITT 2015/11/04 APPR: KDEKOSKI 2016/06/14
DRAFT WHERE APPLICABLE MUST REMAIN WITHIN DIMENSIONS		THIRD ANGLE PROJECTION	DRAWING SERIES MATERIAL NUMBER CUSTOMER SHEET NUMBER
			D-SIZE 33471 SEE NOTE 2a GENERAL MARKET 4 OF 8

**molex**

MX150 RCPT  
SINGLE ROW SEALED ASSY MAT SEAL

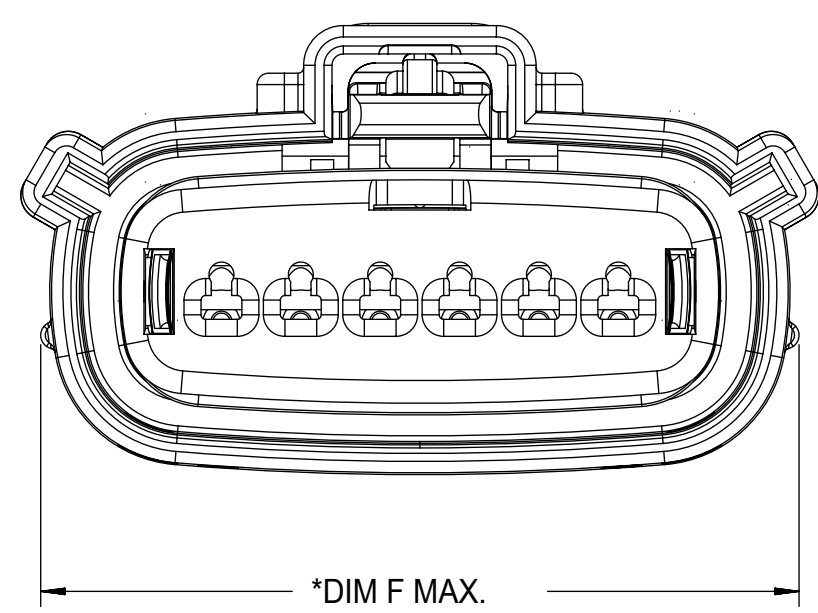
PRODUCT CUSTOMER DRAWING

DOCUMENT NUMBER	DOC TYPE	DOC PART	REVISION
SD-33471-0001	PSD	001	A1

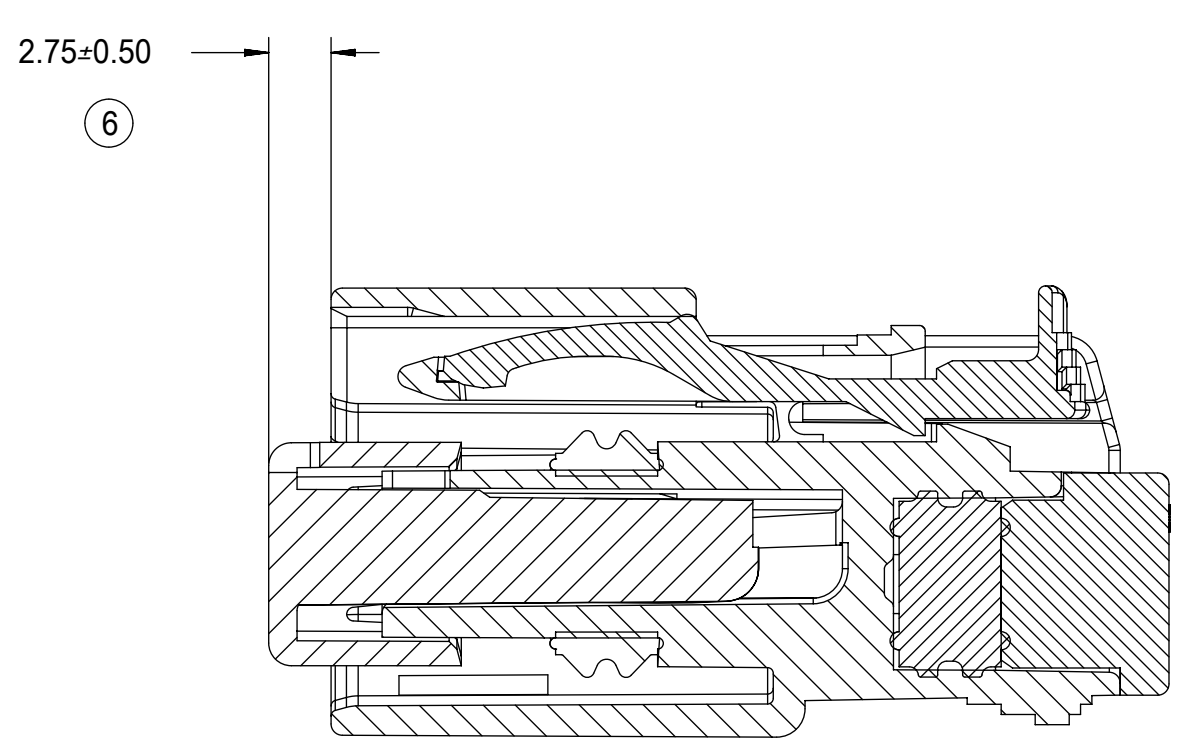
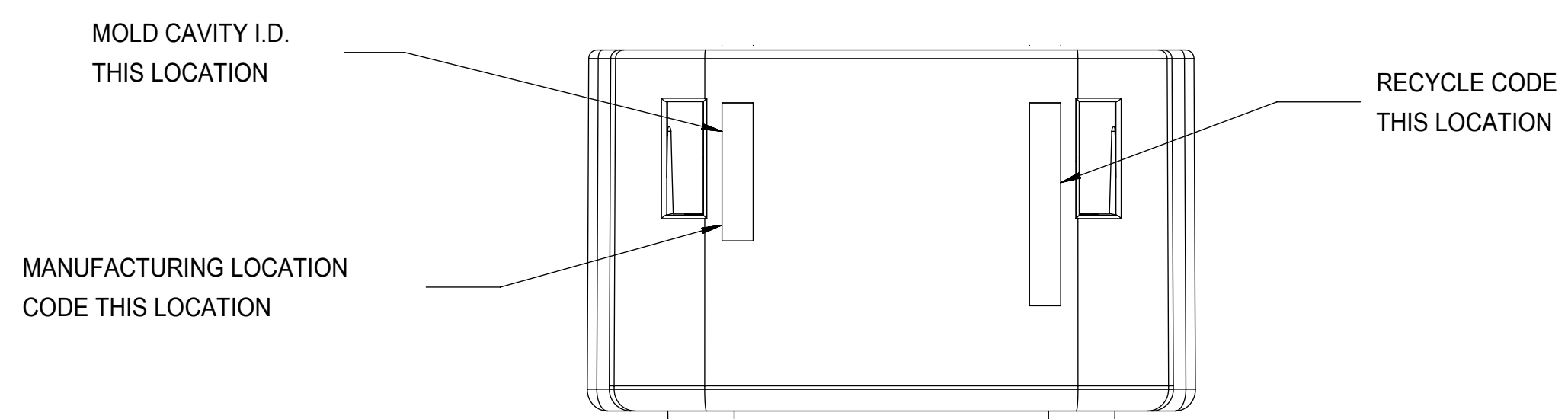
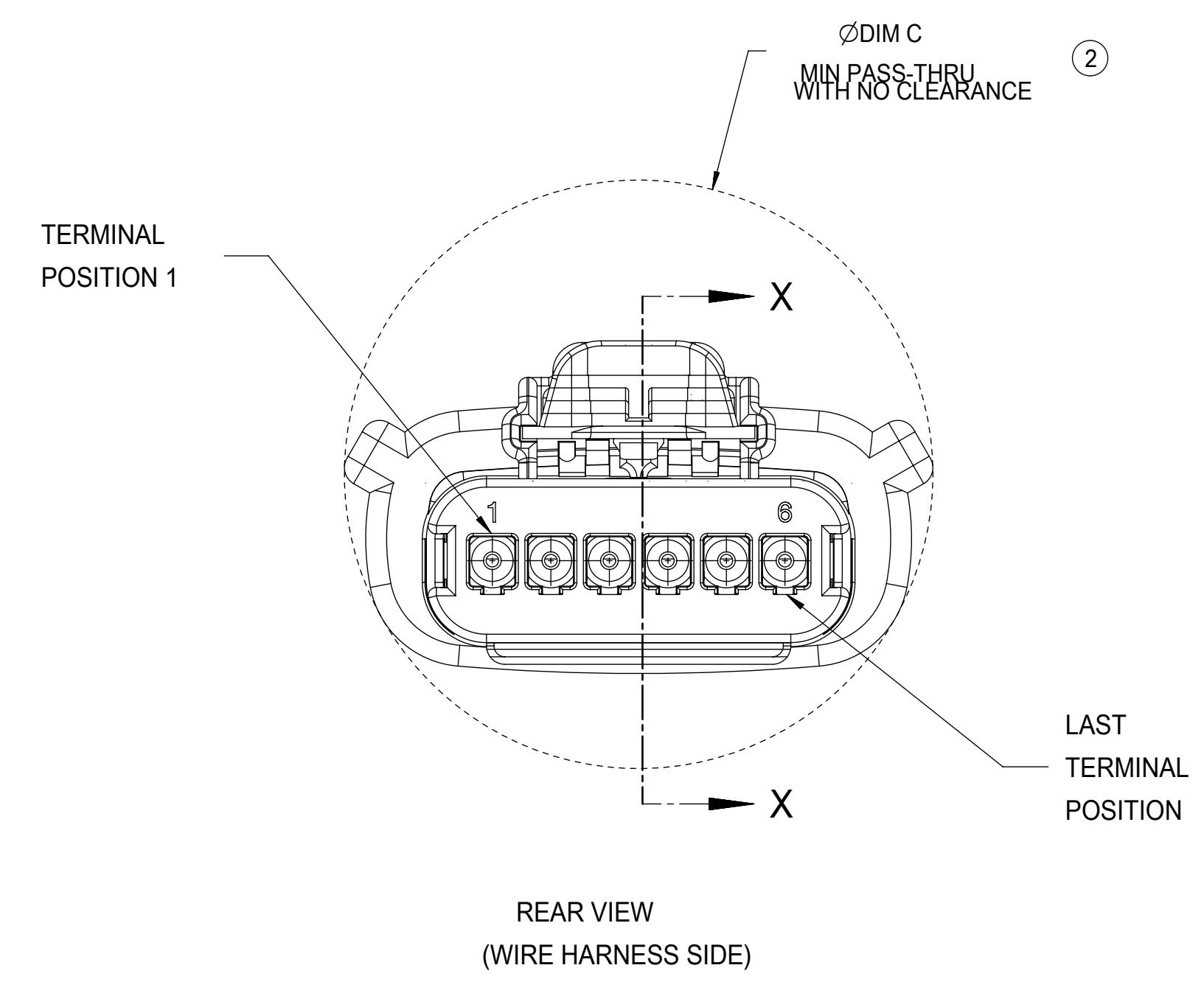
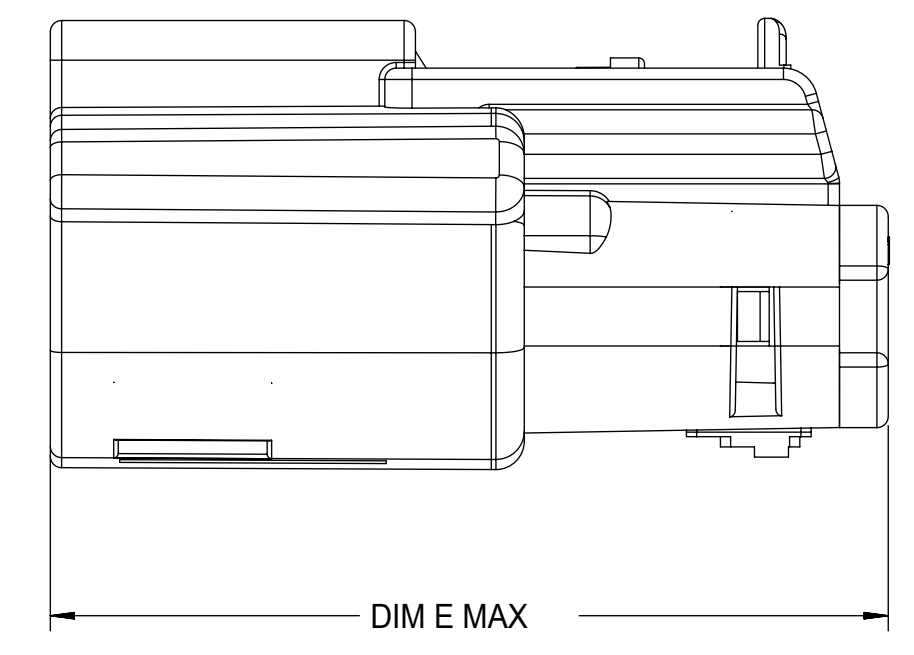
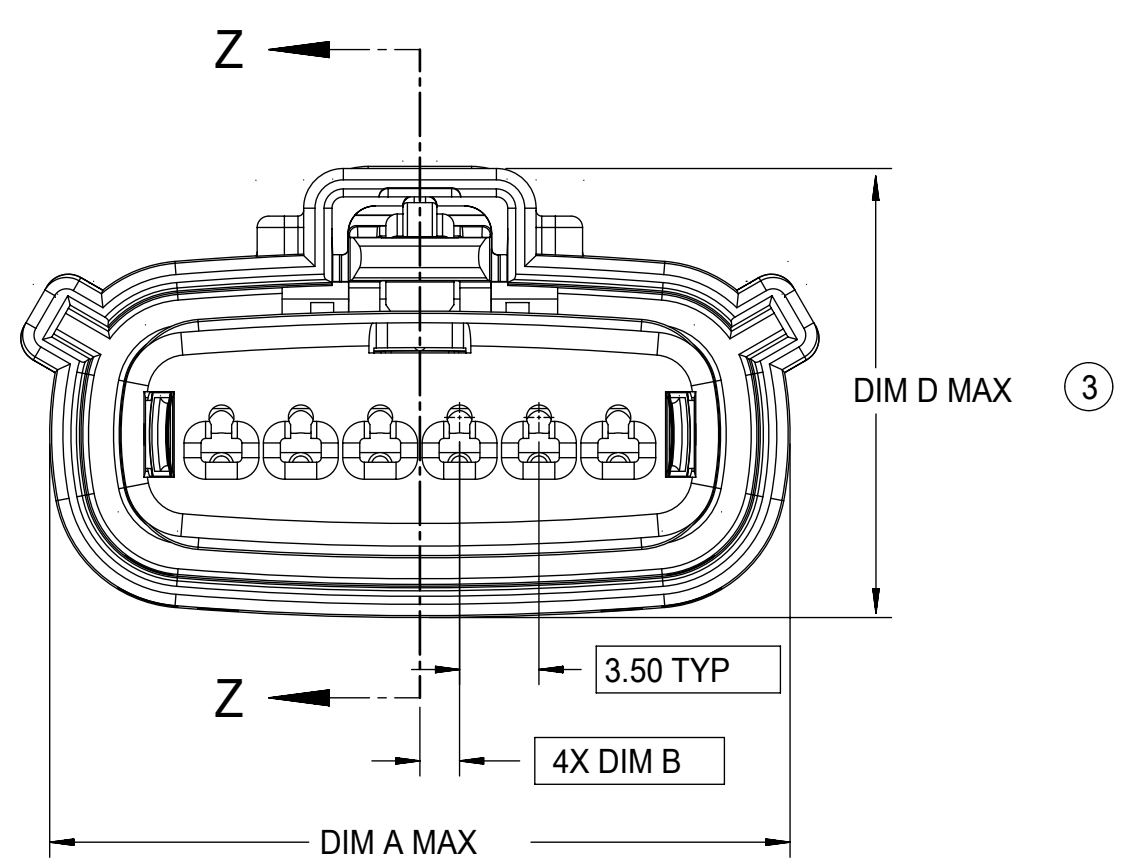
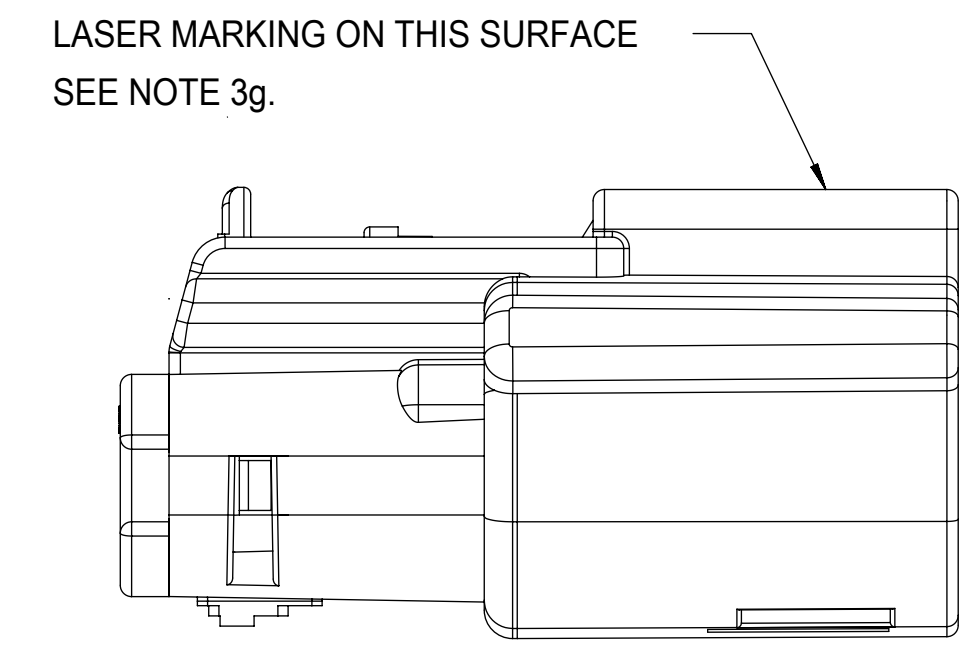
# SHEET DESCRIPTION

RECEPTACLE CONNECTOR ASSEMBLY - STD

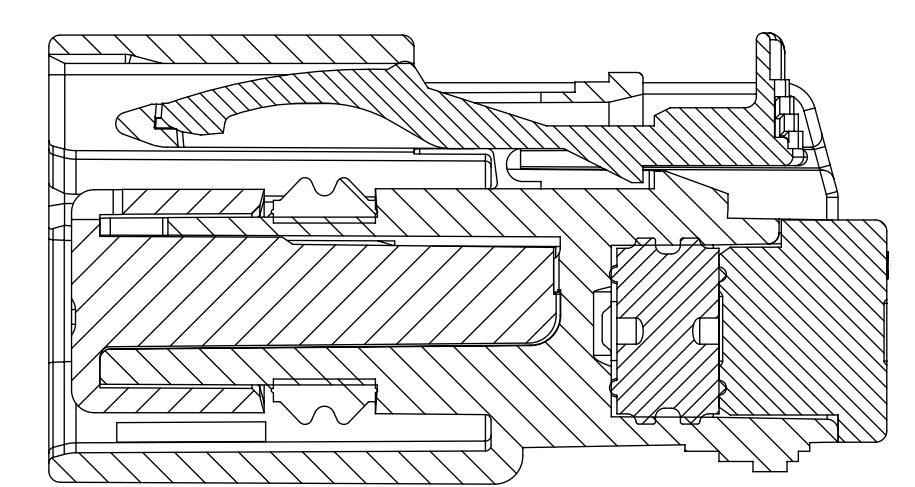
DESCRIPTION	DIMENSIONS					
	A	B	C	D	E	F
1X2	19.40	1.75	21.73	20.55	37.65	19.64
1X6	32.75	1.75	35.21	19.90	37.65	N/A
1X6 UL V0	N/A	1.75	35.23	19.90	37.65	33.64



①



PRIMARY LOCK REINFORCEMENT (PLR) SHOWN  
IN PRE-STAGED POSITION  
SECTION Z-Z



PRIMARY LOCK REINFORCEMENT (PLR) SHOWN  
IN FINAL-LOCK POSITION  
SECTION X-X

<b>FUNCTIONAL SYMBOLS</b> FA = 0 FE = 0 FP = 0 <b>DIVISIONAL SYMBOLS</b>	THIS DRAWING CONTAINS INFORMATION THAT IS PROPRIETARY TO MOLEX ELECTRONIC TECHNOLOGIES, LLC AND SHOULD NOT BE USED WITHOUT WRITTEN PERMISSION		CURRENT REV DESC:		 MX150 RCPT SINGLE ROW SEALED ASSY MAT SEAL PRODUCT CUSTOMER DRAWING
	DIMENSION UNITS	SCALE	EC NO: 643941		
	mm	3:1	DRWN: XLDONG03 2020/08/21		
	GENERAL TOLERANCES (UNLESS SPECIFIED)		CHK'D: JDENG02 2020/08/26		
ANGULAR TOL ± 1.0°		APPR: JDENG02 2020/08/26		DOCUMENT NUMBER <b>SD-33471-0001</b> DOC TYPE: PSD DOC PART: 001 REVISION: A1	
4 PLACES ±		INITIAL REVISION:			
3 PLACES ±		DRWN: APROFFITT 2015/11/04			
2 PLACES ± 0.1		APPR: KDEKOSKI 2016/06/14			
1 PLACE ± 0.2		DRAFT WHERE APPLICABLE MUST REMAIN WITHIN DIMENSIONS		MATERIAL NUMBER SEE NOTE 2a CUSTOMER GENERAL MARKET SHEET NUMBER 5 OF 8	
0 PLACES ±		THIRD ANGLE PROJECTION	DRAWING		SERIES
			<b>D-SIZE</b>	<b>33471</b>	

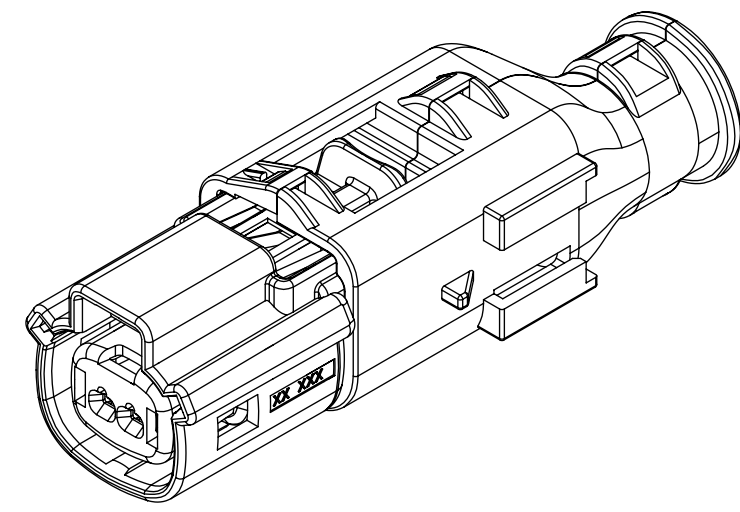
# SHEET DESCRIPTION

## BACKSHELL NOTES

BACKSHELL NOTES: VALID UNLESS OTHERWISE SPECIFIED

1. GENERAL:

- a. APPLICATION SPECIFICATION SEE: AS-34951-001
  - DESIGNED TO MATE WITH RECEPTACLE SEALED ASSEMBLY SPECIFIED IN MOLEX DRAWING SD-33471-0001.
  - SYSTEM TO BE USED WITH WIRE WITHIN DIAMETER RANGE OF 1.2mm TO 2.69mm.
  - COMPONENTS ARE OPTIONAL AND MUST BE PURCHASED SEPERATELY.
  - BACKSHELL DESIGN IS OWNED BY SCHLEMMER.
  - FOR ADDITIONAL INFORMATION SEE THE BACKSHELL COMPONENT DRAWING SD-34949-0001.



1X2

BACKSHELL CUSTOMER MODEL NUMBER LEGEND

34949-XXXX

CUSTOMER MODEL COMPONENTS

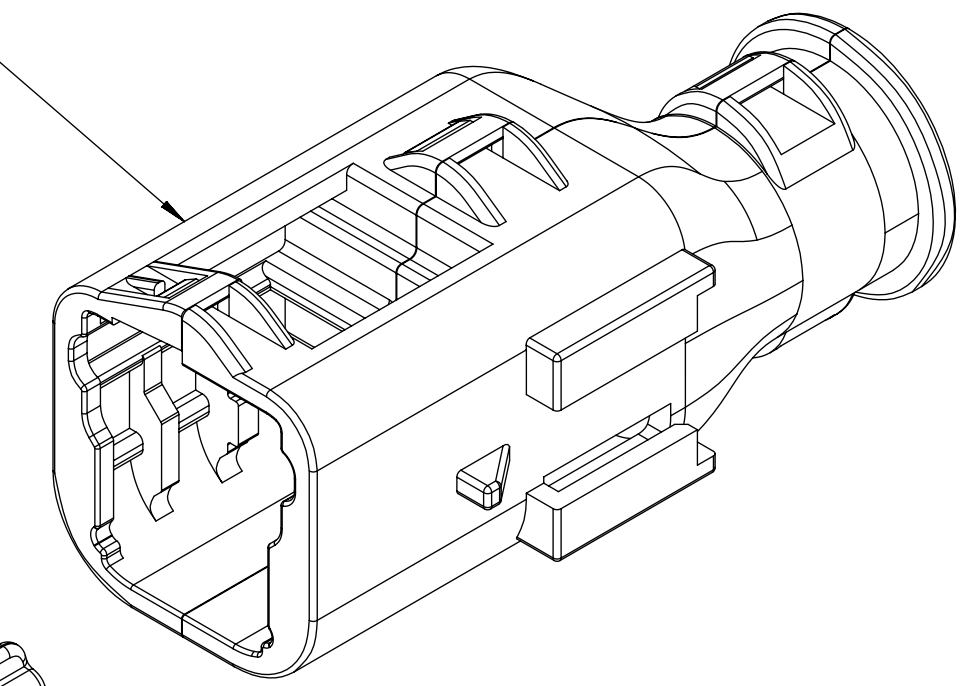
- 0 - BACKSHELL ONLY
- 1 - BACKSHELL & MX150 HOUSING KEY A ASSEMBLY
- 2 - BACKSHELL & MX150 HOUSING KEY B ASSEMBLY
- 3 - BACKSHELL & MX150 HOUSING KEY C ASSEMBLY
- 4 - BACKSHELL & MX150 HOUSING KEY D ASSEMBLY

BACKSHELL FEATURES

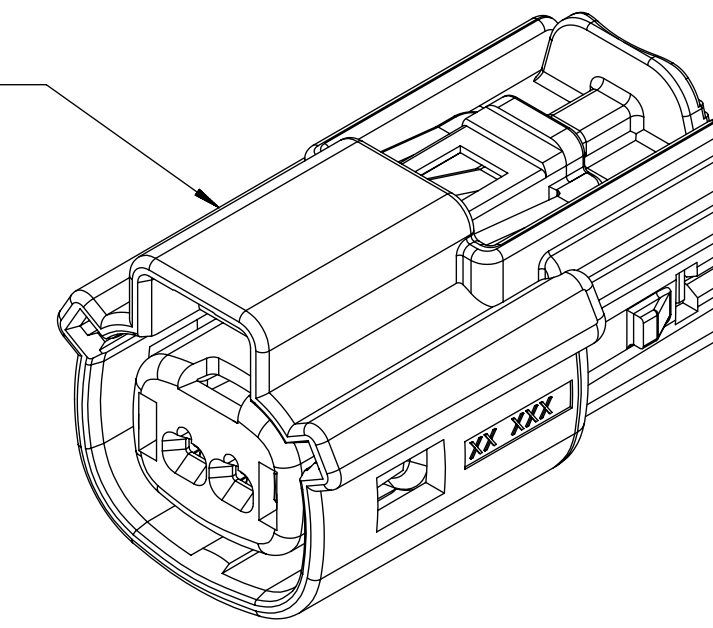
- 1 - WITH RIBS
- 2 - WITHOUT RIBS

MX150 CIRCUIT SIZE 02, 03, 04, 05, 06

BACKSHELL (BKS)



RECEPTACLE SEALED ASSEMBLY



FUNCTIONAL SYMBOLS	THIS DRAWING CONTAINS INFORMATION THAT IS PROPRIETARY TO MOLEX ELECTRONIC TECHNOLOGIES, LLC AND SHOULD NOT BE USED WITHOUT WRITTEN PERMISSION		
	DIMENSION UNITS	SCALE	CURRENT REV DESC:
$\nabla_A = 0$	mm	4:1	EC NO: 643941 DRWN: XLDONG03 2020/08/21 CHK'D: JDENG02 2020/08/26 APPR: JDENG02 2020/08/26
$\nabla_C = 0$	GENERAL TOLERANCES (UNLESS SPECIFIED)		
$\nabla_P = 0$	ANGULAR TOL	$\pm 1.0^\circ$	INITIAL REVISION: DRWN: APROFFITT 2015/11/04 APPR: KDEKOSKI 2016/06/14
DIVISIONAL SYMBOLS	4 PLACES	$\pm$	
	3 PLACES	$\pm$	DOCUMENT NUMBER <b>SD-33471-0001</b> DOC TYPE PSD DOC PART 001 REVISION <b>A1</b>
	2 PLACES	$\pm 0.1$	
	1 PLACE	$\pm 0.2$	MATERIAL NUMBER SEE NOTE 2a CUSTOMER GENERAL MARKET SHEET NUMBER 6 OF 8
	0 PLACES	$\pm$	
DRAFT WHERE APPLICABLE MUST REMAIN WITHIN DIMENSIONS		THIRD ANGLE PROJECTION	DRAWING <b>D-SIZE</b>
		SERIES <b>33471</b>	

**molex**

MX150 RCPT  
SINGLE ROW SEALED ASSY MAT SEAL

PRODUCT CUSTOMER DRAWING

DOCUMENT NUMBER DOC TYPE DOC PART REVISION

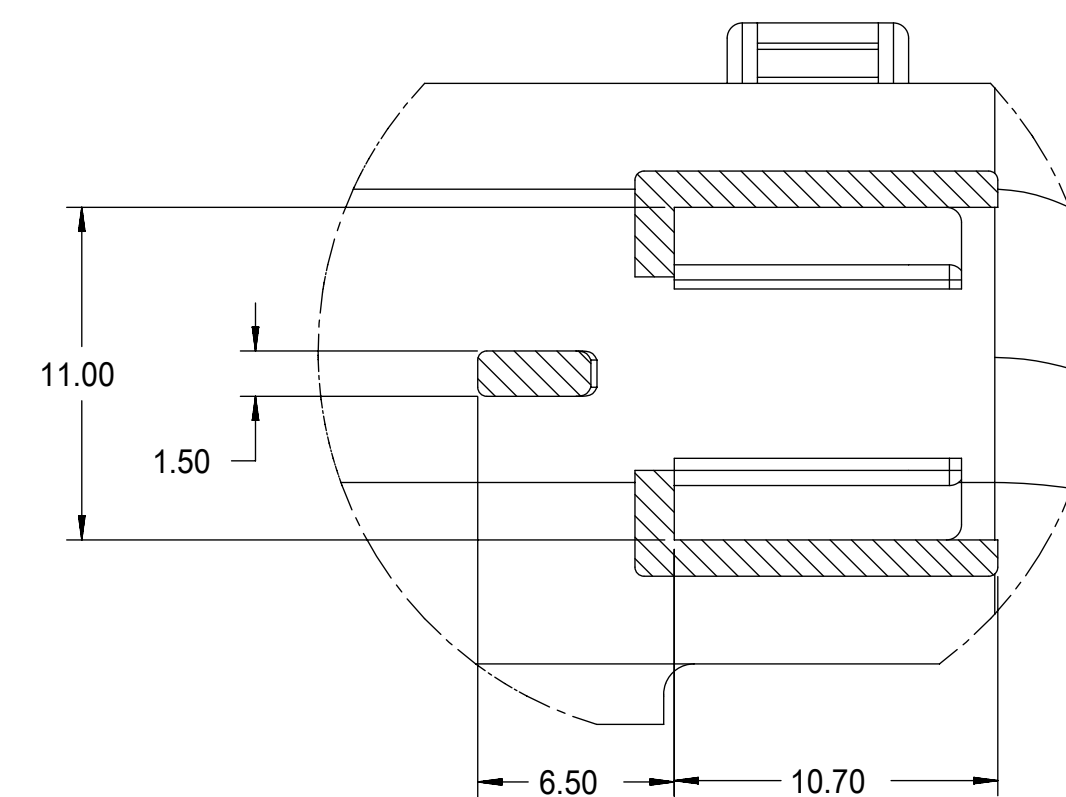
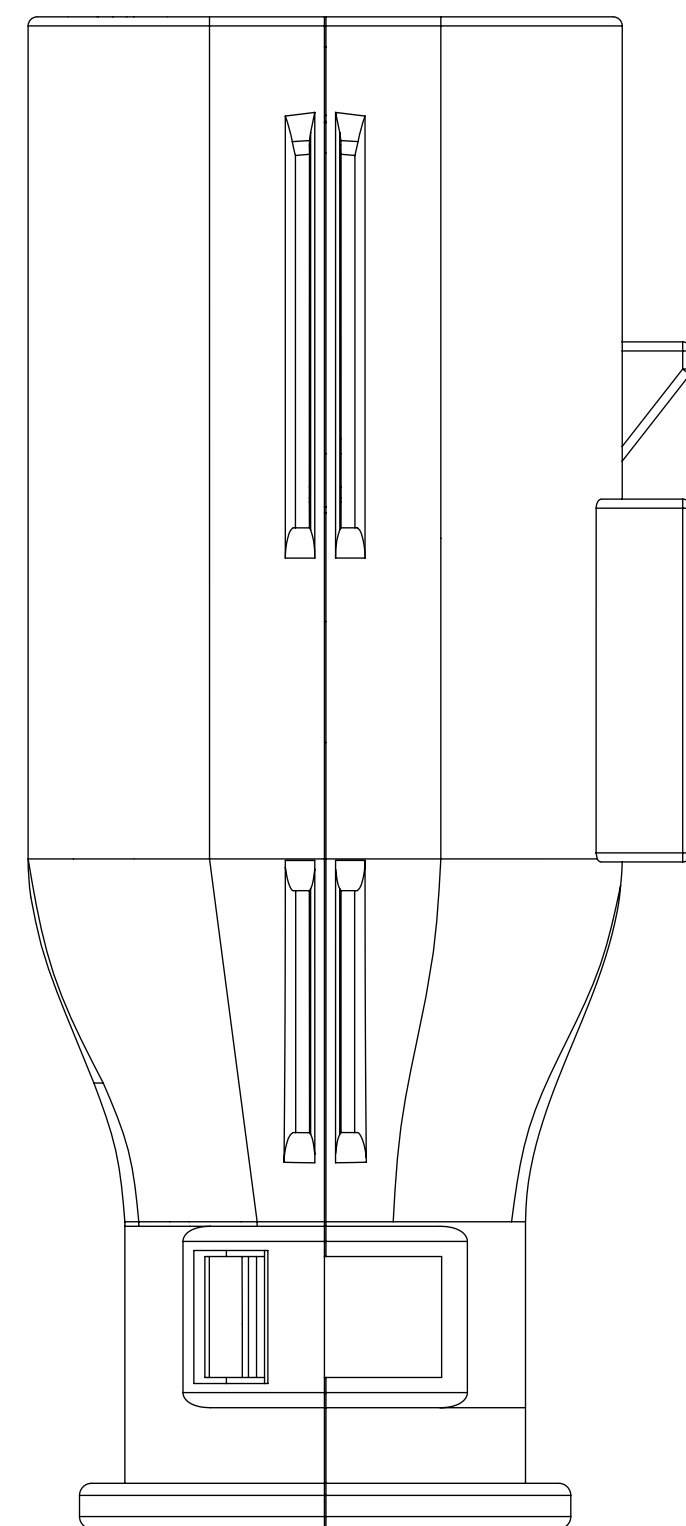
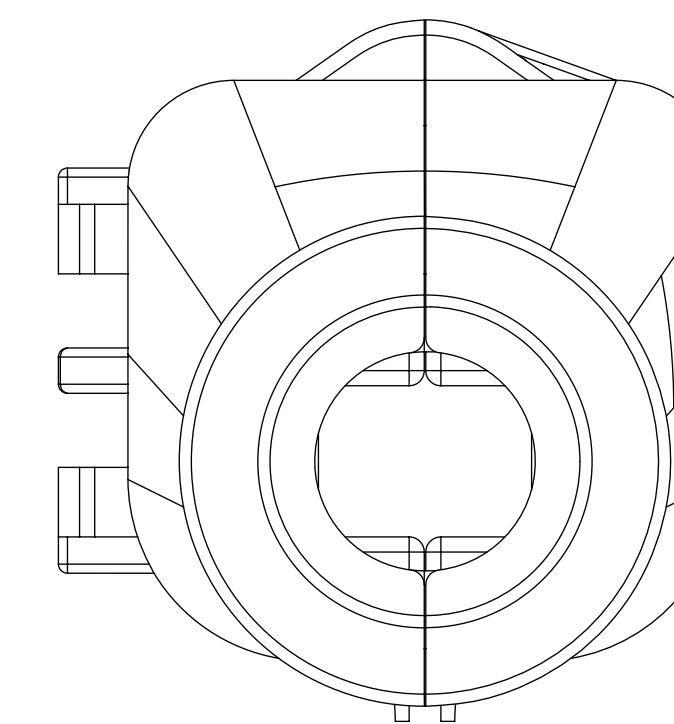
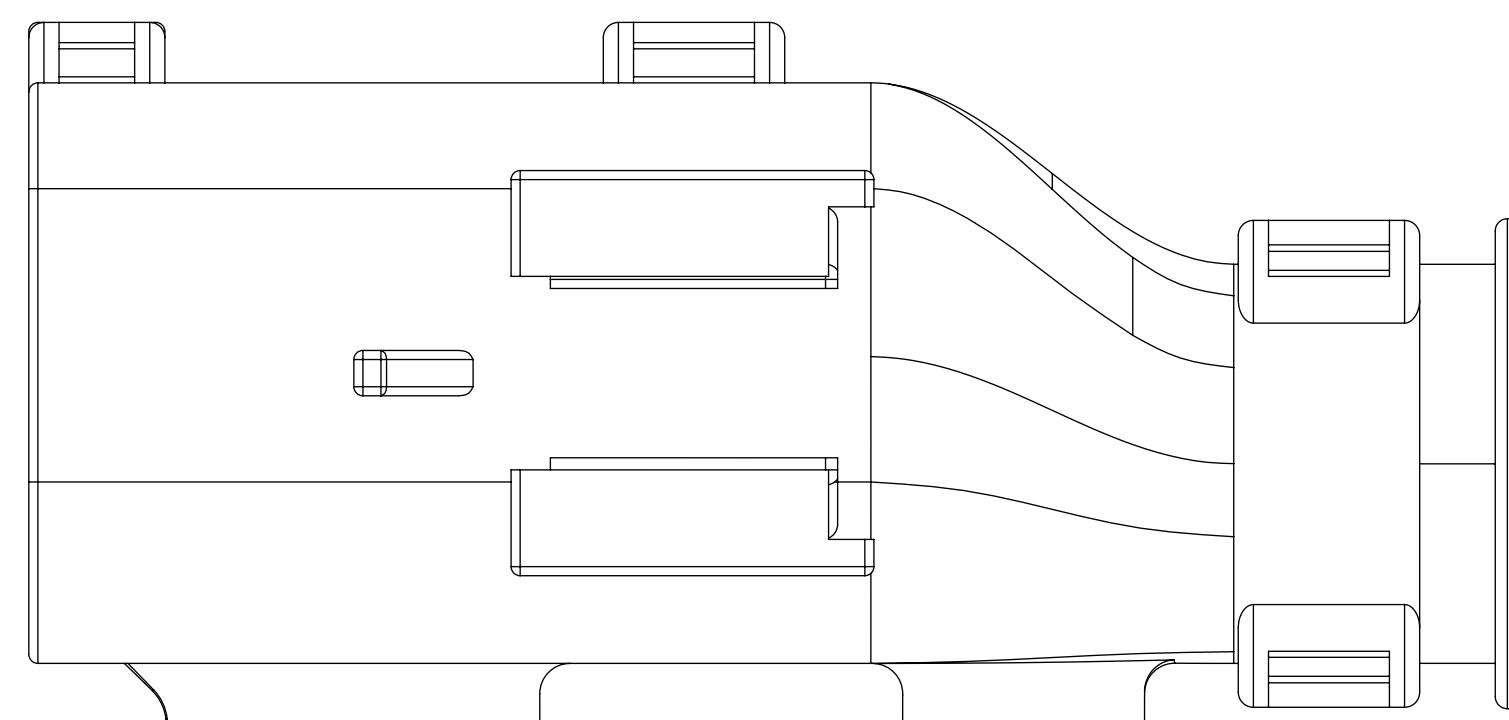
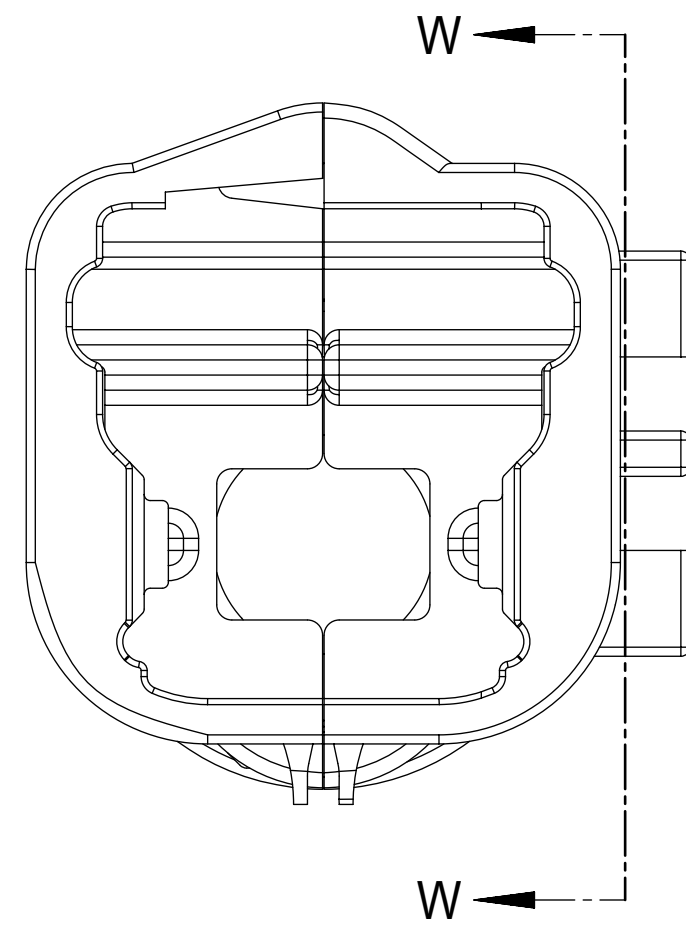
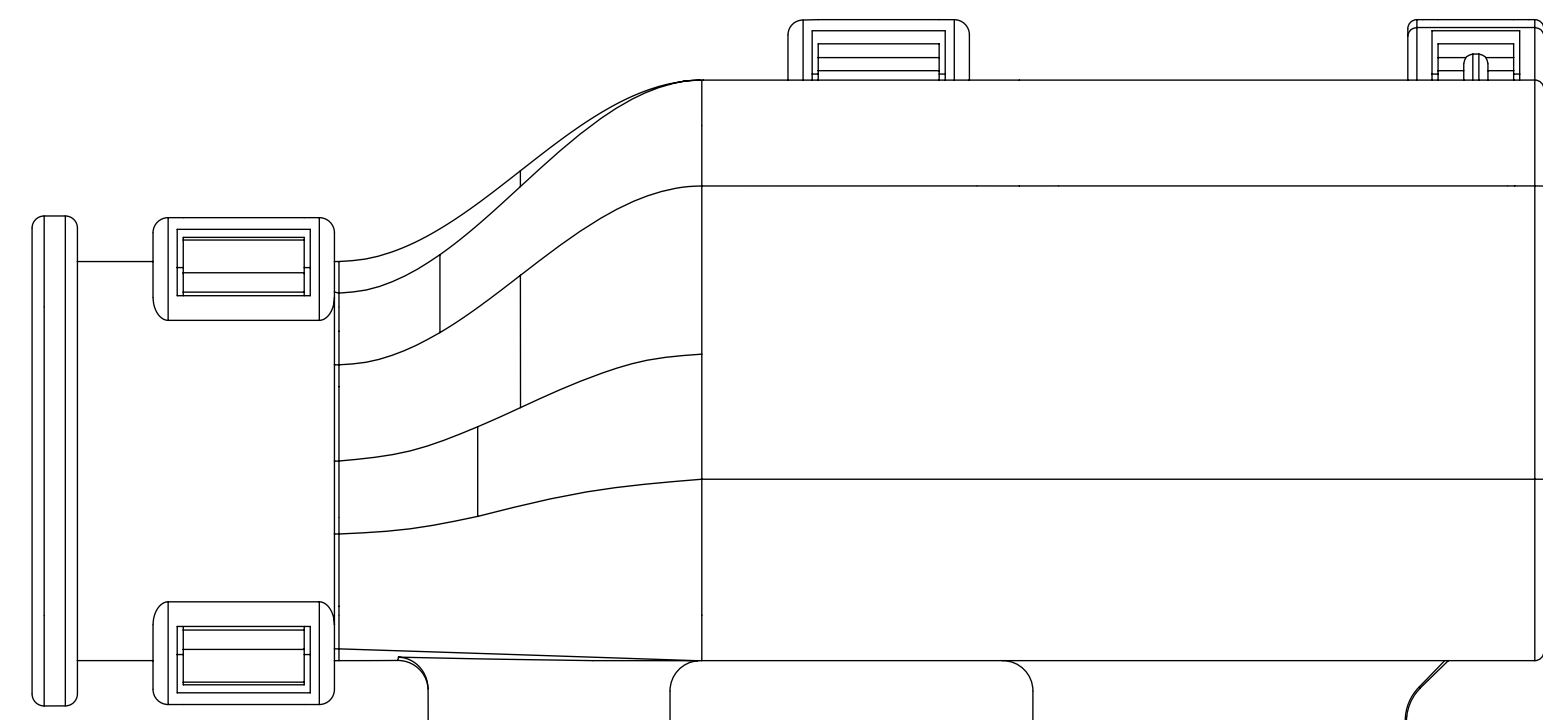
SD-33471-0001 PSD 001 A1

MATERIAL NUMBER CUSTOMER SHEET NUMBER

SEE NOTE 2a GENERAL MARKET 6 OF 8

**SHEET DESCRIPTION**

BACKSHELL



Partial W-W  
SCALE 4:1

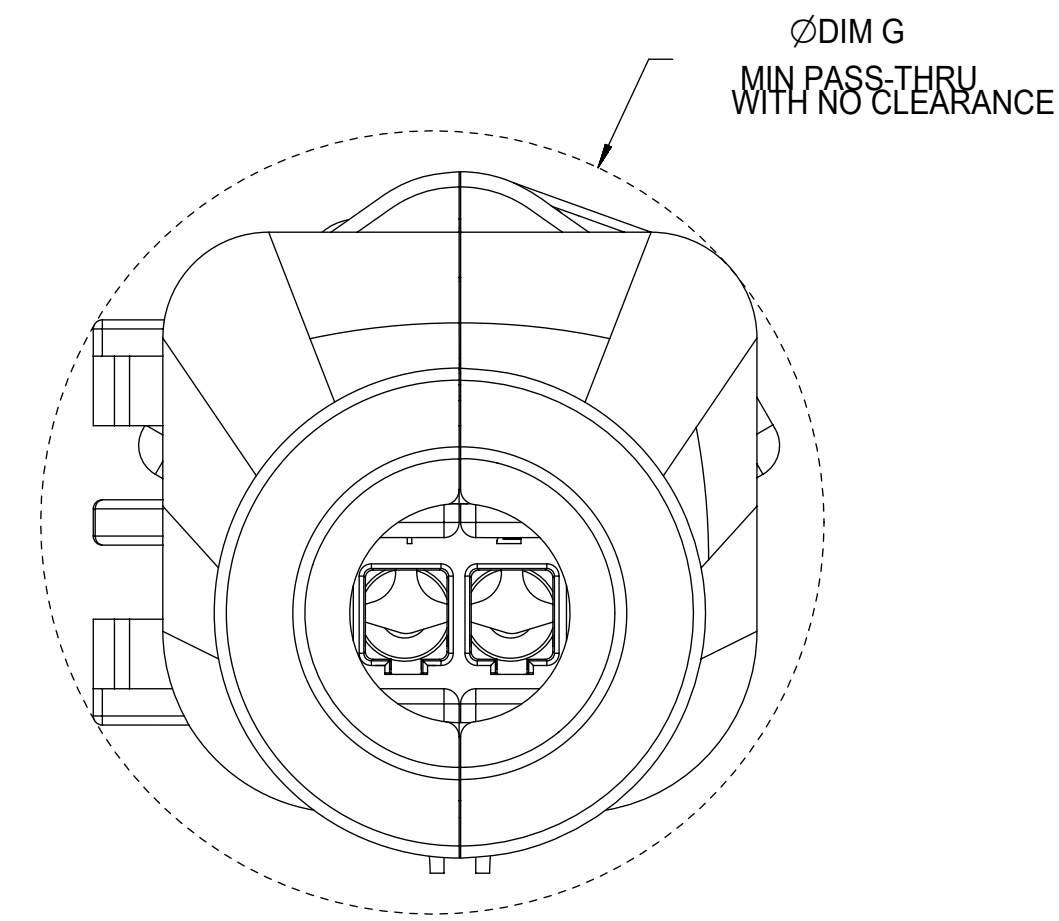
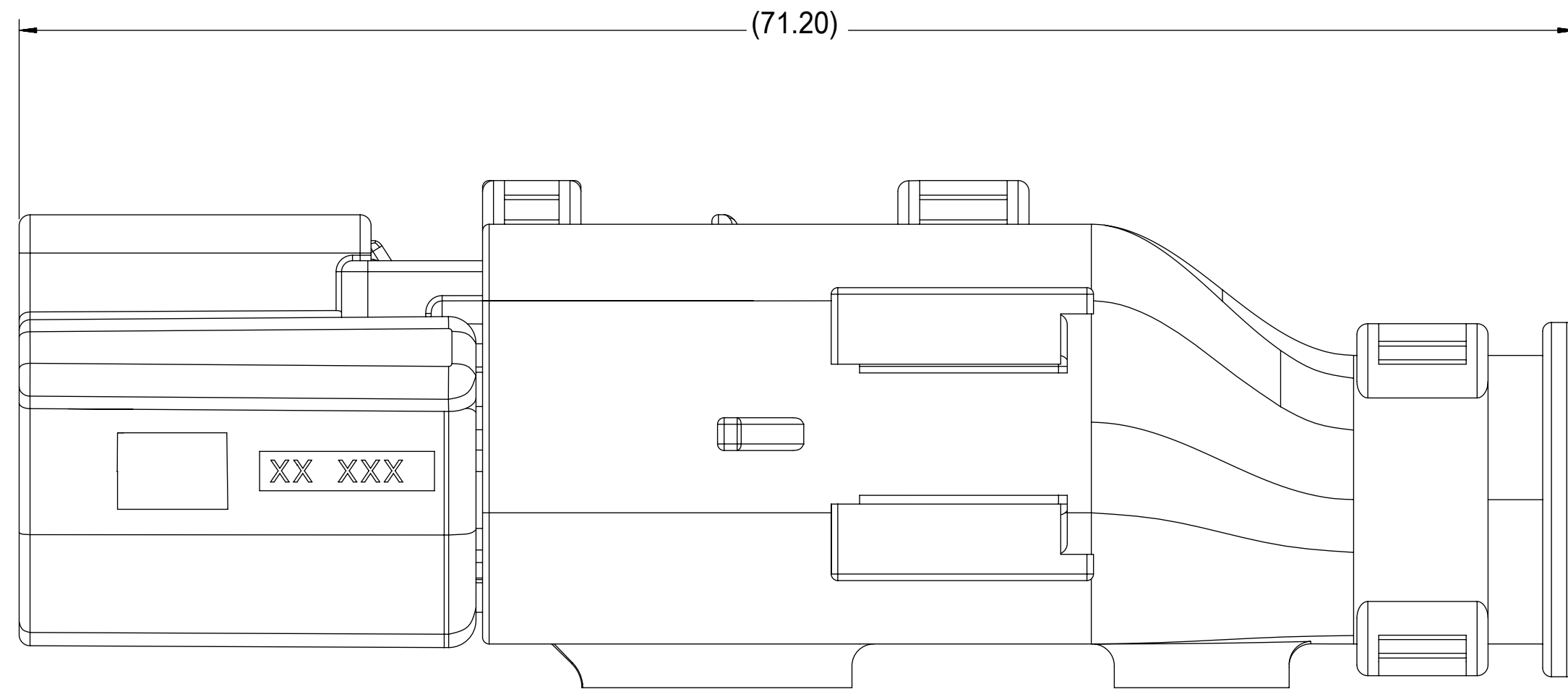
<b>FUNCTIONAL SYMBOLS</b> $F_A = 0$ $F_C = 0$ $F_P = 0$	THIS DRAWING CONTAINS INFORMATION THAT IS PROPRIETARY TO MOLEX ELECTRONIC TECHNOLOGIES, LLC AND SHOULD NOT BE USED WITHOUT WRITTEN PERMISSION		CURRENT REV DESC:						
	DIMENSION UNITS <b>mm</b>	SCALE <b>4:1</b>	EC NO: 643941 DRWN: XLDONG03 2020/08/21 CHK'D: JDENG02 2020/08/26 APPR: JDENG02 2020/08/26					MX150 RCPT SINGLE ROW SEALED ASSY MAT SEAL	
	GENERAL TOLERANCES (UNLESS SPECIFIED)		INITIAL REVISION: DRWN: APROFFITT 2015/11/04 APPR: KDEKOSKI 2016/06/14		DOCUMENT NUMBER <b>SD-33471-0001</b>	DOC TYPE PSD	DOC PART 001	REVISION A1	
	ANGULAR TOL $\pm 1.0^\circ$		DRAFT WHERE APPLICABLE MUST REMAIN WITHIN DIMENSIONS		THIRD ANGLE PROJECTION 	DRAWING <b>D-SIZE</b>	SERIES <b>33471</b>	MATERIAL NUMBER SEE NOTE 2a	CUSTOMER GENERAL MARKET

**SHEET DESCRIPTION**

BACKSHELL CONFIGURATIONS

**CHARTED DIMENSIONS**

DESCRIPTION	DIMENSIONS
	G
1X2	

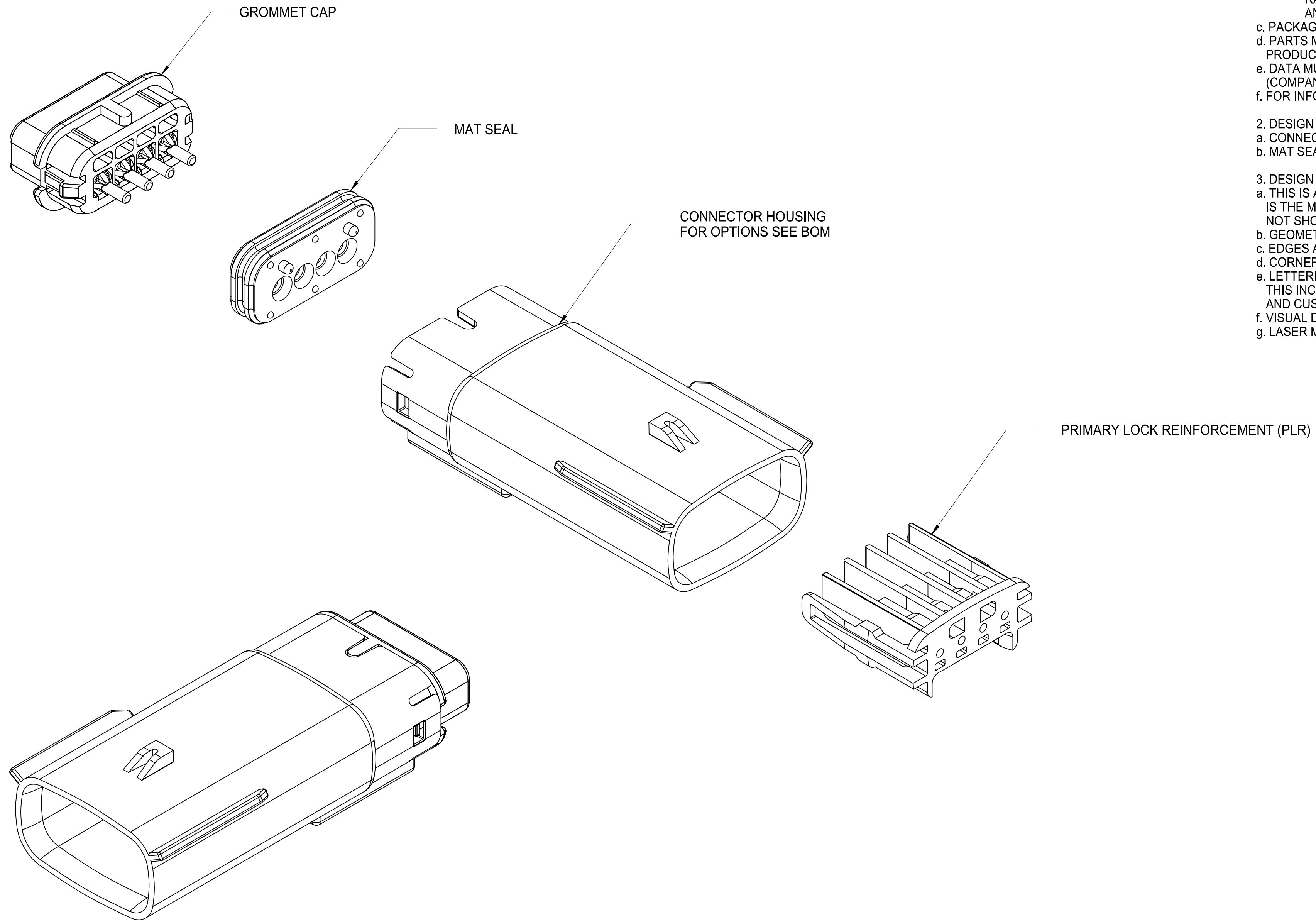


RECEPTACLE SEALED ASSEMBLY WITH RECEPTACLE BACKSHELL

FUNCTIONAL SYMBOLS FA = 0 FC = 0 FD = 0	THIS DRAWING CONTAINS INFORMATION THAT IS PROPRIETARY TO MOLEX ELECTRONIC TECHNOLOGIES, LLC AND SHOULD NOT BE USED WITHOUT WRITTEN PERMISSION		CURRENT REV DESC:		<b>molex</b>		
	DIMENSION UNITS mm	SCALE 4:1					
DIVISIONAL SYMBOLS	GENERAL TOLERANCES (UNLESS SPECIFIED)		EC NO: 643941		MX150 RCPT SINGLE ROW SEALED ASSY MAT SEAL		
	ANGULAR TOL ± 1.0°		DRWN: XLDONG03 2020/08/21				
	4 PLACES ±	CHK'D: JDENG02 2020/08/26		PRODUCT CUSTOMER DRAWING			
	3 PLACES ±	APPR: JDENG02 2020/08/26					
	2 PLACES ± 0.1	INITIAL REVISION:					
1 PLACE ± 0.2	DRWN: APROFFITT 2015/11/04		DOCUMENT NUMBER	DOC TYPE	DOC PART	REVISION	
0 PLACES ±	APPR: KDEKOSKI 2016/06/14		SD-33471-0001	PSD	001	A1	
DRAFT WHERE APPLICABLE MUST REMAIN WITHIN DIMENSIONS		THIRD ANGLE PROJECTION	DRAWING D-SIZE	SERIES 33471	MATERIAL NUMBER SEE NOTE 2a	CUSTOMER GENERAL MARKET	SHEET NUMBER 8 OF 8

DOCUMENT STATUS	P1	RELEASE DATE	2020/08/26	07:23:52
-----------------	----	--------------	------------	----------



TABLE OF CONTENTS	
SHEET NO.	SHEET DESCRIPTION
1	NOTES
2	KEY CONFIGURATIONS
3	BLADE SEALED ASSEMBLY
4	SYSTEM PACKAGING
5	BOM



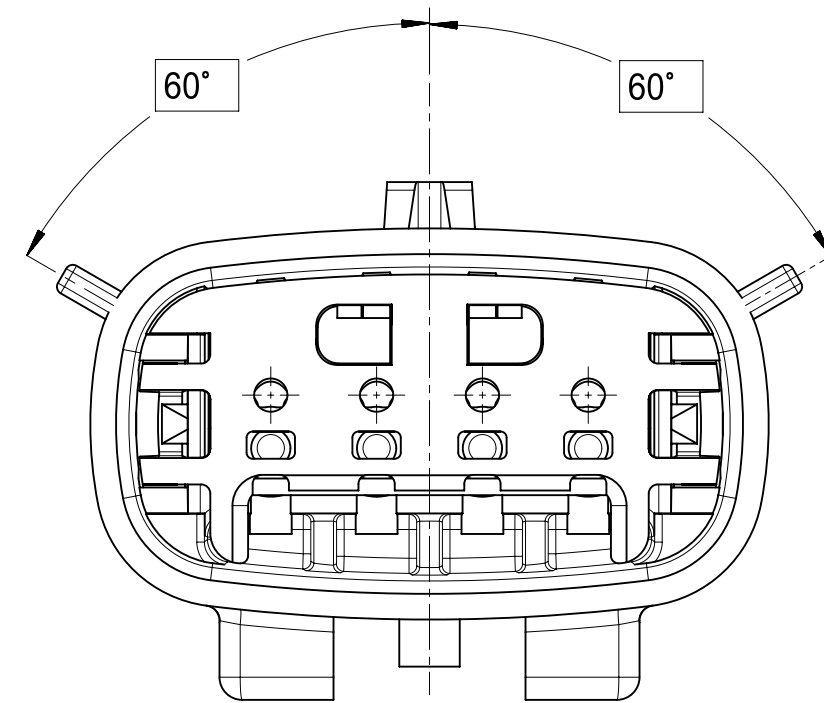
NOTES: VALID UNLESS OTHERWISE SPECIFIED

1. GENERAL:
  - a. APPLICATION SPECIFICATION SEE: AS-33472-100  
CONTAINS: PRODUCT INTRODUCTION, PRODUCT SUMMARY, CONNECTOR ASSEMBLY, PACKAGING INFORMATION, CONNECTOR MATING, SERVICE INSTRUCTIONS, ELECTRICAL CONTINUITY CHECKING, CRIMPING, AND TROUBLESHOOTING.  
-DESIGNED TO MATE WITH RECEPTACLE SEALED ASSEMBLY SPECIFIED IN MOLEX DRAWING SD-33471-041.  
-FOR 1.5mm BLADE TERMINALS TO BE USED WITH THIS ASSEMBLY SEE MOLEX DRAWING SD-33000-001.  
- SYSTEM TO BE USED WITH WIRE WITHIN DIAMETER RANGE OF 1.2mm TO 2.69mm.  
-ASSEMBLY SHIPPED WITH PLR IN PRE-LOCK POSITION  
-IN THE EVENT THAT THE PLR IS FOUND IN THE SEATED (FINAL LOCK) POSITION, REFER TO MOLEX SPECIFICATION PS-34646-001, AVAILABLE AT [www.molex.com](http://www.molex.com) <<http://www.molex.com>>  
-ASSEMBLY CONFORMS TO SAE/USCAR-2 REV.4 WITH THE FOLLOWING EXCEPTIONS:  
TERMINAL INSERTION FORCE FOR WIRE DIAMETER ABOVE 2.5mm NOT EXCEEDING 2.69mm SHALL NOT EXCEED 45 NEWTONS.
  - b. PRODUCT SPECIFICATION SEE: PS-33471-000  
CONTAINS: PRODUCT INTRODUCTION, PRODUCT SUMMARY, RATINGS (CURRENT, TEMPERATURE, SEALING, AND FLAMMABILITY), AND PRODUCT VALIDATION.
  - c. PACKAGING SPECIFICATION PER MOLEX DRAWING: PK-31300-635  
d. PARTS MUST BE IN COMPLIANCE TO MOLEX CHEMICAL SUBSTANCES FOR PRODUCTS AND PACKAGING SPECIFICATION: ES-40000-5016
  - e. DATA MUST BE SUBMITTED UNDER THE MOLEX PART NUMBER TO IMDS (COMPANY ID#13255)
  - f. FOR INFORMATION ON 1X4 BLADE SEALED ASSEMBLY WITH SHORTING BAR SEE SD-31280-200.
2. DESIGN - MATERIALS:
  - a. CONNECTOR HOUSING, GROMMET CAP, PLR: SPS/NYLON BLENDED 20% GLASS FILLED
  - b. MAT SEAL: INHERENTLY LUBRICATED SILICONE
3. DESIGN - GEOMETRY:
  - a. THIS IS A 100% CAD GENERATED PART. THE CAD MATHEMATICAL DATA IS THE MASTER FOR THIS PART. FOR DIMENSIONAL OR ANY INFORMATION NOT SHOWN ON THIS DRAWING, ANALYZE THE CAD MODEL.
  - b. GEOMETRIC DIMENSIONS AND TOLERANCES PER ASME Y14.5M - 1994
  - c. EDGES AND UNDIMENSIONED DETAILS PER ISO13715
  - d. CORNERS SHOWN AS SHARP TO BE R 0.2 MAX.
  - e. LETTERING SHALL BE 0.15 MAX RAISED IN 0.25 MAX RECESS PAD. THIS INCLUDES RECYCLING CODE, CAVITY ID, VENDOR IDENTIFICATION, AND CUSTOMER MATERIAL NUMBER.
  - f. VISUAL DEFECTS SHALL MEET COSMETIC STANDARD PS-45499-002 (Class B)
  - g. LASER MARKING: TBD

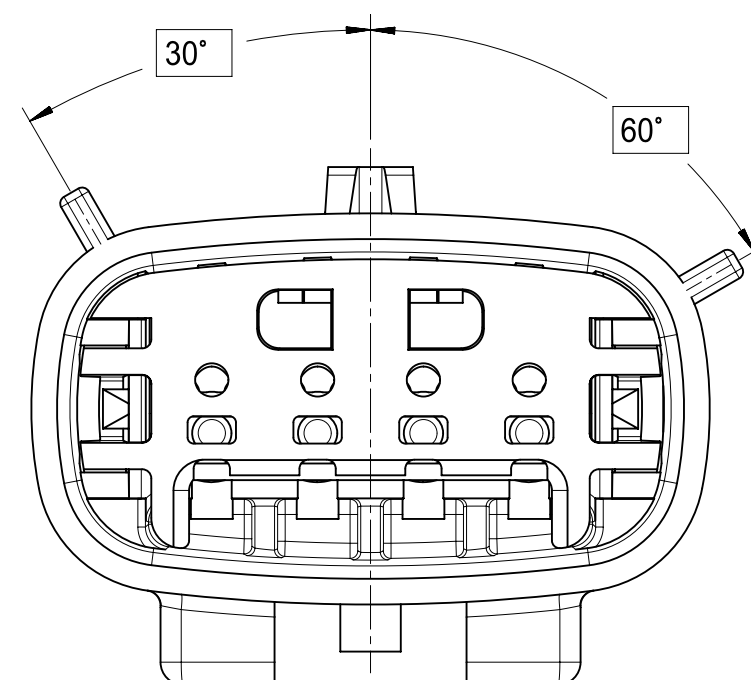
W4	UPDATED THE STATUS OF P/NS ON SHEET 5 33481-04XX) TO OBSOLETE PER PCN 512135 ADDED SALEABLE STATUS OF P/NS (33481-44XX) ON SHEET 5 P/NS 334814408 THRU 334814409 AND 334814412 THRU 334814412 WHICH HAVE BEEN MARKED NOT RECOMMENDED IN THE COMMENTS
REV #	DESCRIPTION

THIS DRAWING CONTAINS INFORMATION THAT IS PROPRIETARY TO MOLEX ELECTRONIC TECHNOLOGIES, LLC AND SHOULD NOT BE USED WITHOUT WRITTEN PERMISSION											
DIMENSION UNITS	SCALE	CURRENT REV DESC: UPDATED PARTS STATUS									
mm	3:1	 MX150 1X4 BLADE SEALED ASSEMBLY MAT SEAL PRODUCT SALES DRAWING									
GENERAL TOLERANCES (UNLESS SPECIFIED)											
ANGULAR TOL	± 3°										
4 PLACES	± 0										
3 PLACES	± 0										
2 PLACES	± 0.1										
1 PLACE	± 0.3	EC NO: CO-000001228		DRWN: MattYoung		21-Jul-2022		CHK'D: Joe Fox		01-Aug-2022	
0 PLACES	± 0	APPR: Katy Boruszewski		02-Aug-2022		INITIAL REVISION:		DRWN: RFC_PLMIMP		APPR:	
DRAFT WHERE APPLICABLE MUST REMAIN WITHIN DIMENSIONS		THIRD ANGLE PROJECTION	DRAWING	SERIES	MATERIAL NUMBER	CUSTOMER	SHEET NUMBER		DOCUMENT NUMBER		
			D-SIZE	33481	SD-33481-041	GENERAL MARKET	1 OF 5		PSD	001	W4

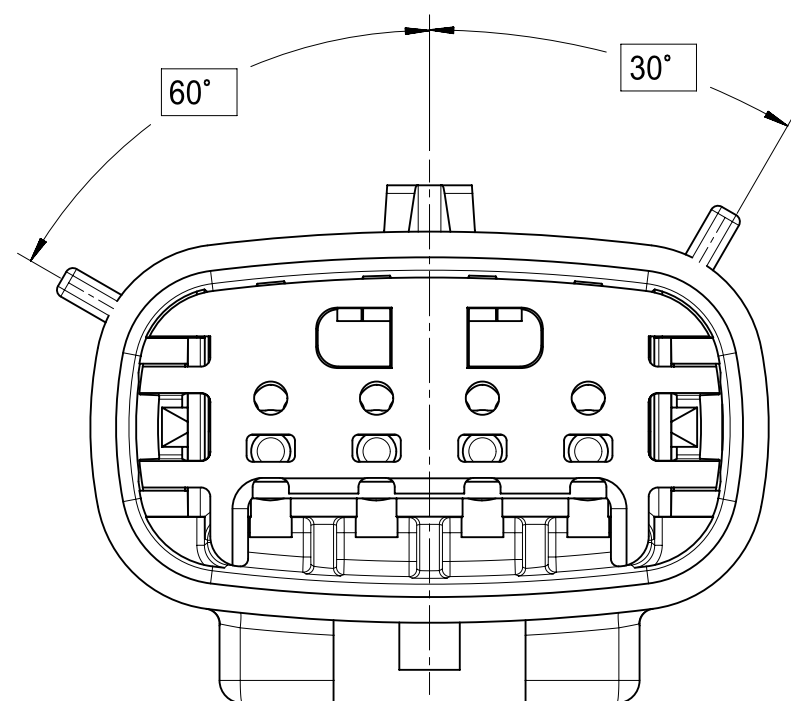
KEY CONFIGURATIONS



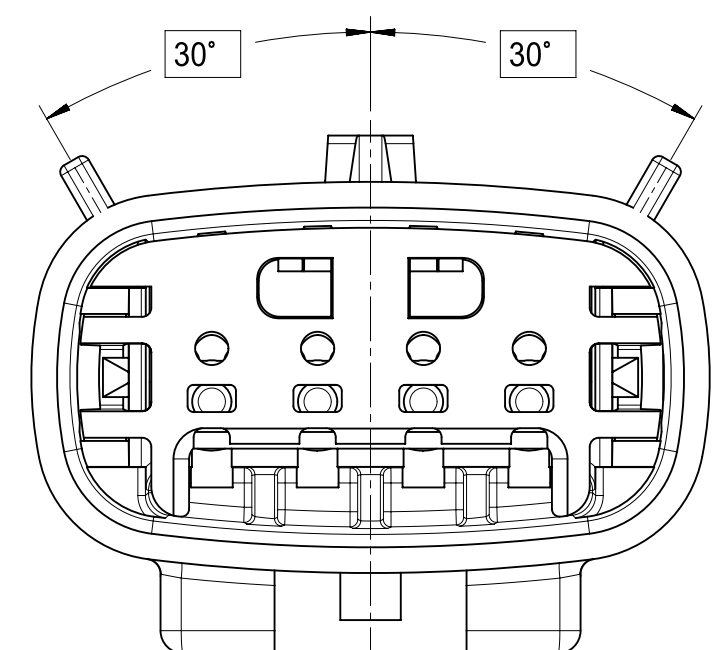
KEY A



KEY B





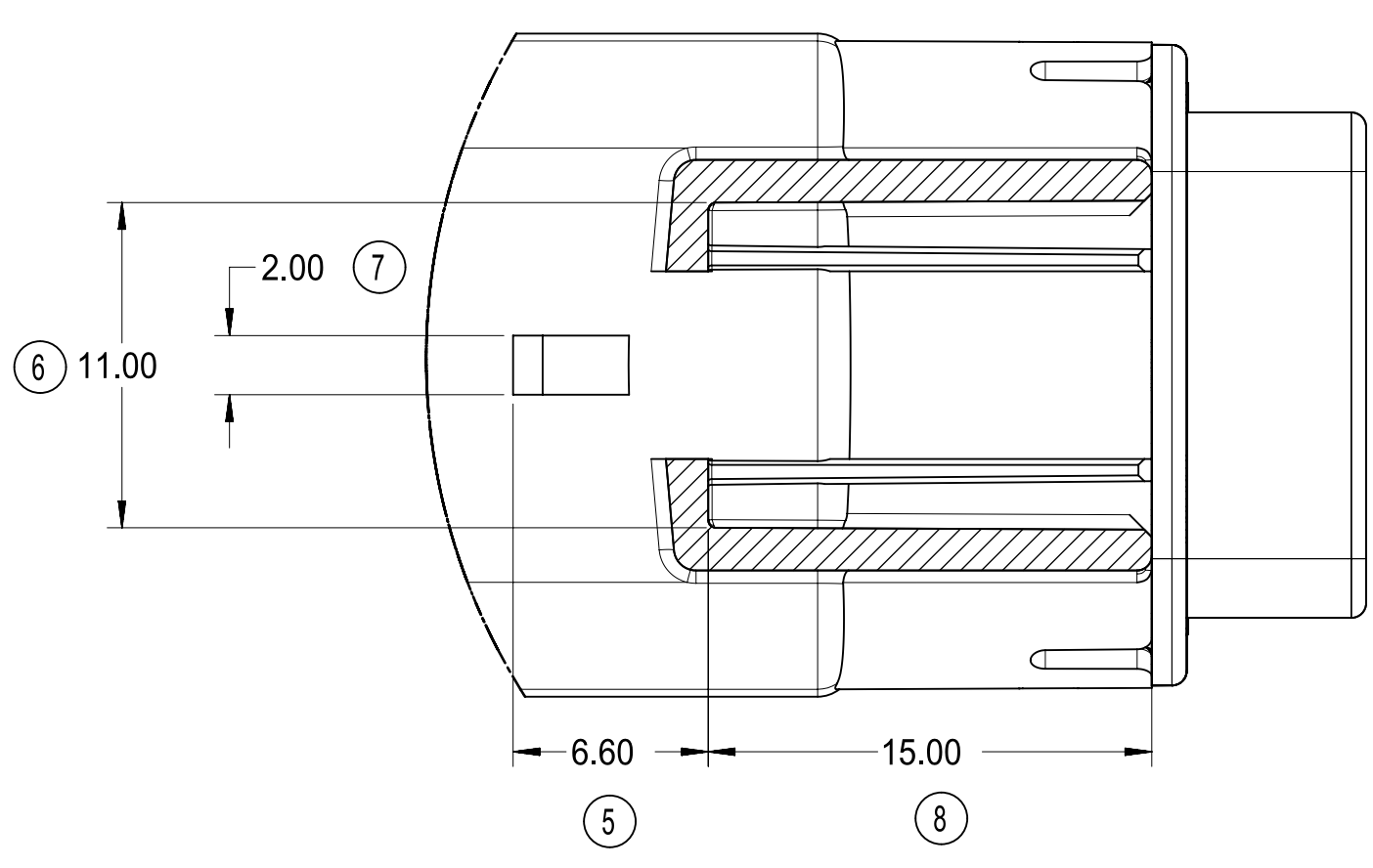
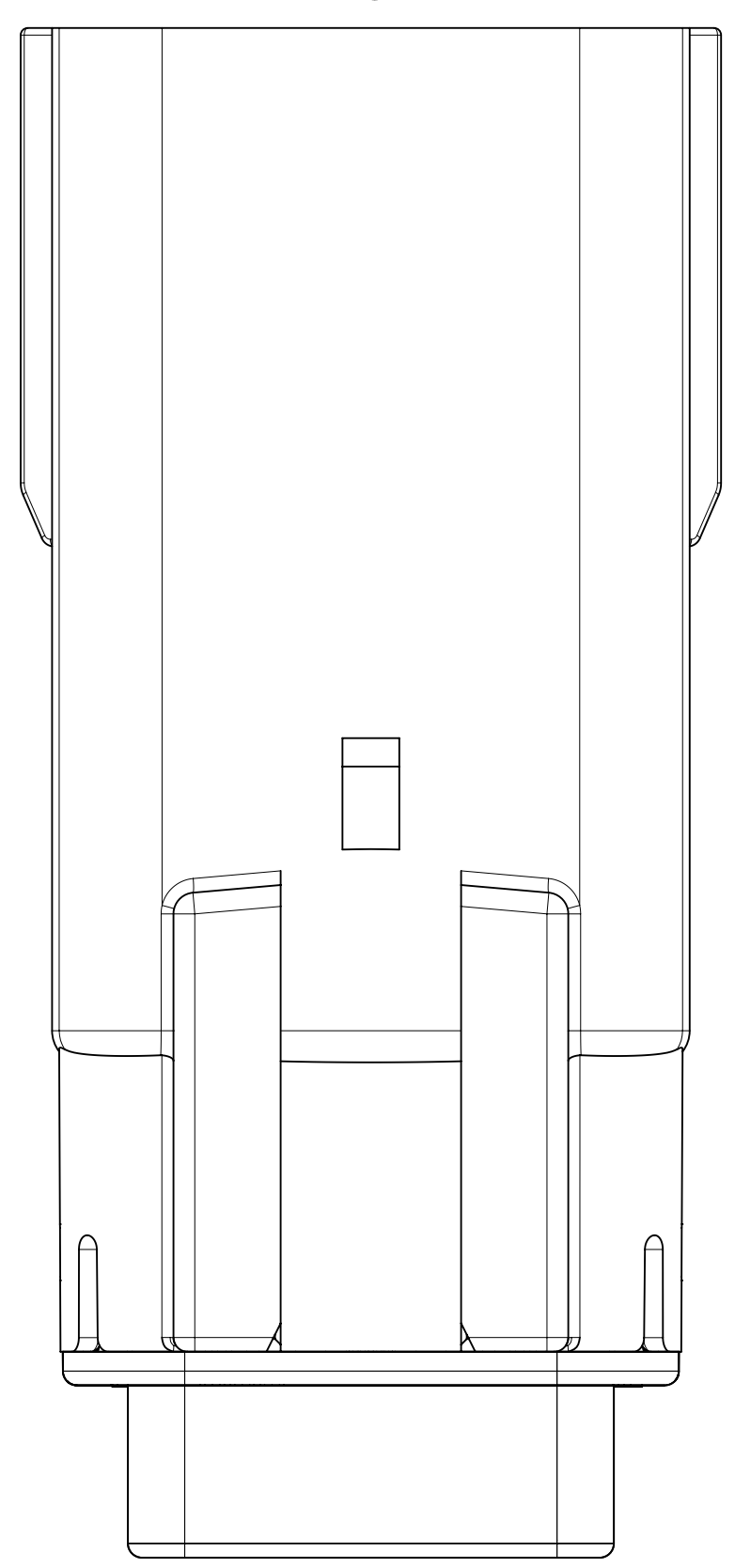
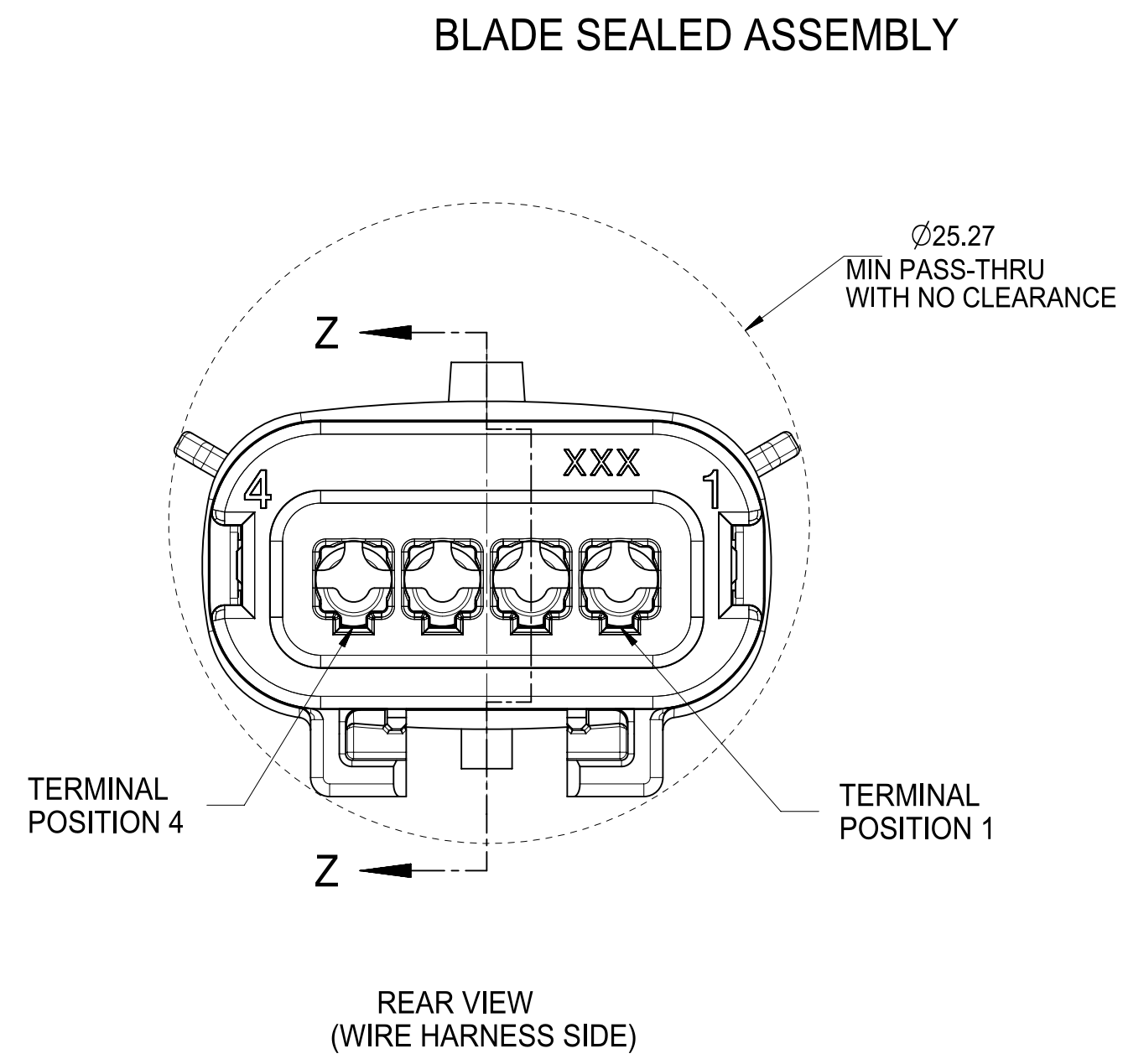
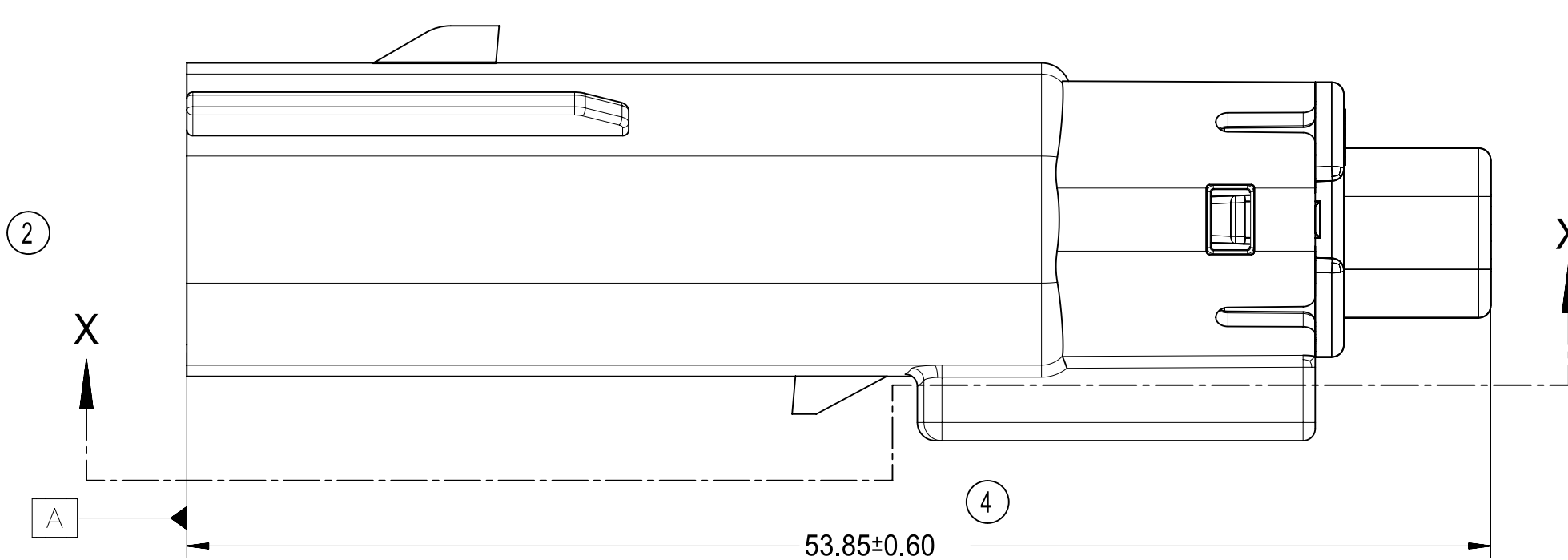
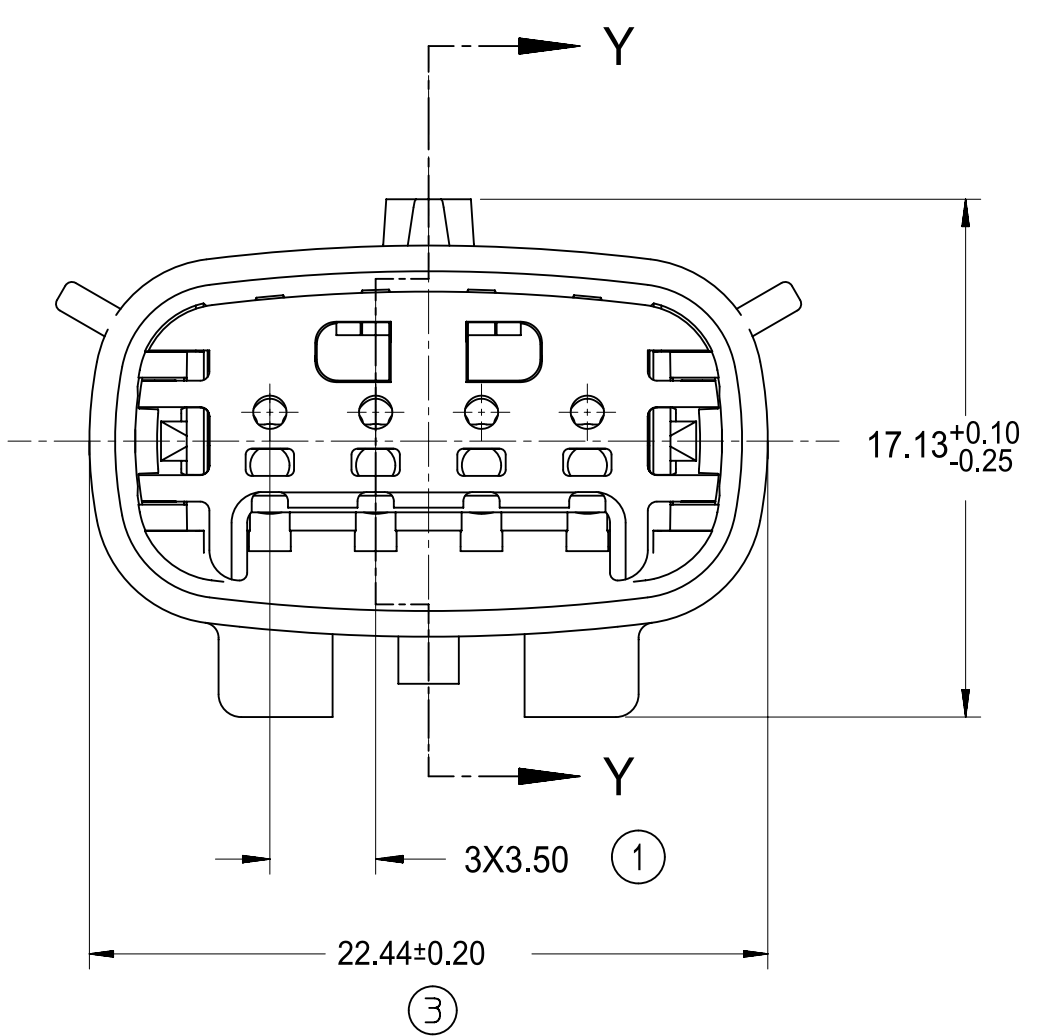
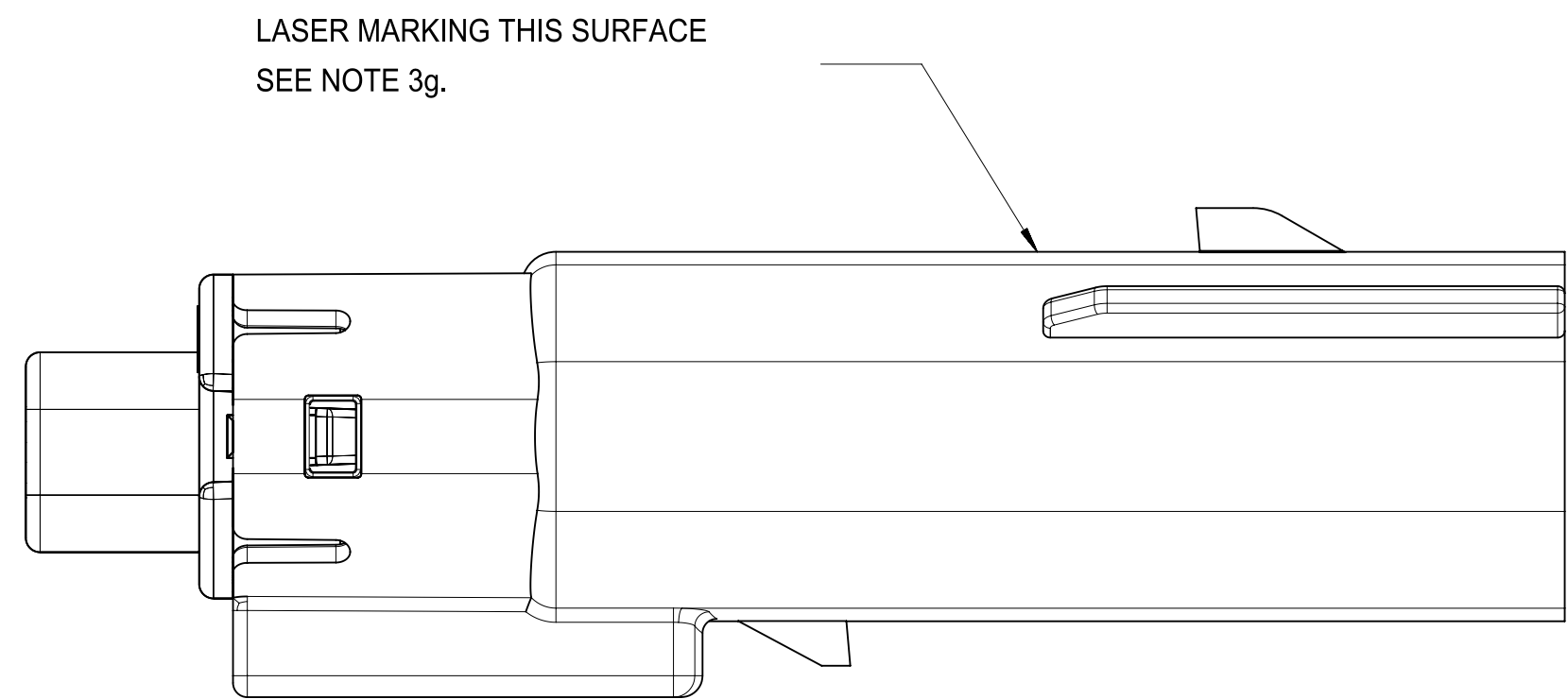
KEY C



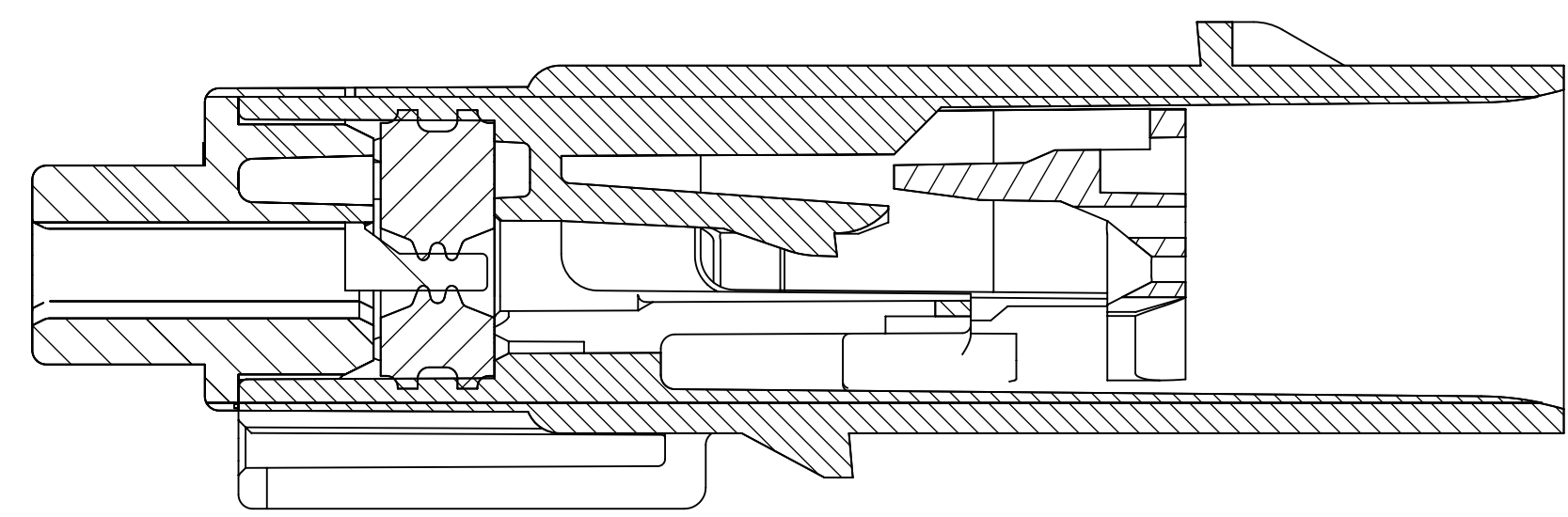
KEY D

THIS DRAWING CONTAINS INFORMATION THAT IS PROPRIETARY TO MOLEX ELECTRONIC TECHNOLOGIES, LLC AND SHOULD NOT BE USED WITHOUT WRITTEN PERMISSION

DIMENSION UNITS	SCALE	CURRENT REV DESC: UPDATED PARTS STATUS						
mm	4:1							
GENERAL TOLERANCES (UNLESS SPECIFIED)		EC NO: CO-000001228		MX150 1X4 BLADE SEALED ASSEMBLY MAT SEAL				
ANGULAR TOL ± 3°		DRWN: MattYoung 21-Jul-2022		PRODUCT SALES DRAWING				
4 PLACES ± 0		CHK'D: Joe Fox 01-Aug-2022		DOCUMENT NUMBER		DOC TYPE	DOC PART	REVISION
3 PLACES ± 0		APPR: Katy Boruszewski 02-Aug-2022		SD-33481-041		PSD	001	W4
2 PLACES ± 0.1		INITIAL REVISION:		MATERIAL NUMBER				
1 PLACE ± 0.3		DRWN: RFC_PLMIMP		CUSTOMER		SHEET NUMBER		
0 PLACES ± 0		APPR:		GENERAL MARKET		2 OF 5		
DRAFT WHERE APPLICABLE MUST REMAIN WITHIN DIMENSIONS		THIRD ANGLE PROJECTION	DRAWING	SERIES				
			D-SIZE	33481				

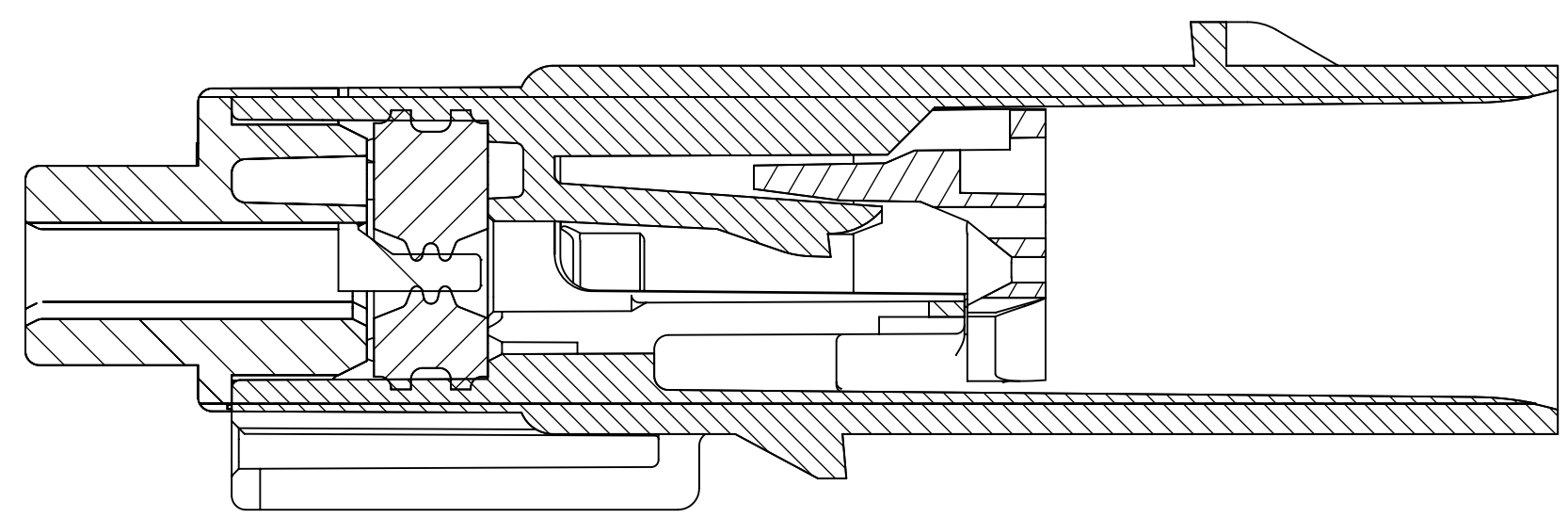


PARTIAL X-X  
SCALE 4:1



PRIMARY LOCK REINFORCEMENT (PLR) SHOWN  
IN PRE-STAGED POSITION

SECTION Z-Z

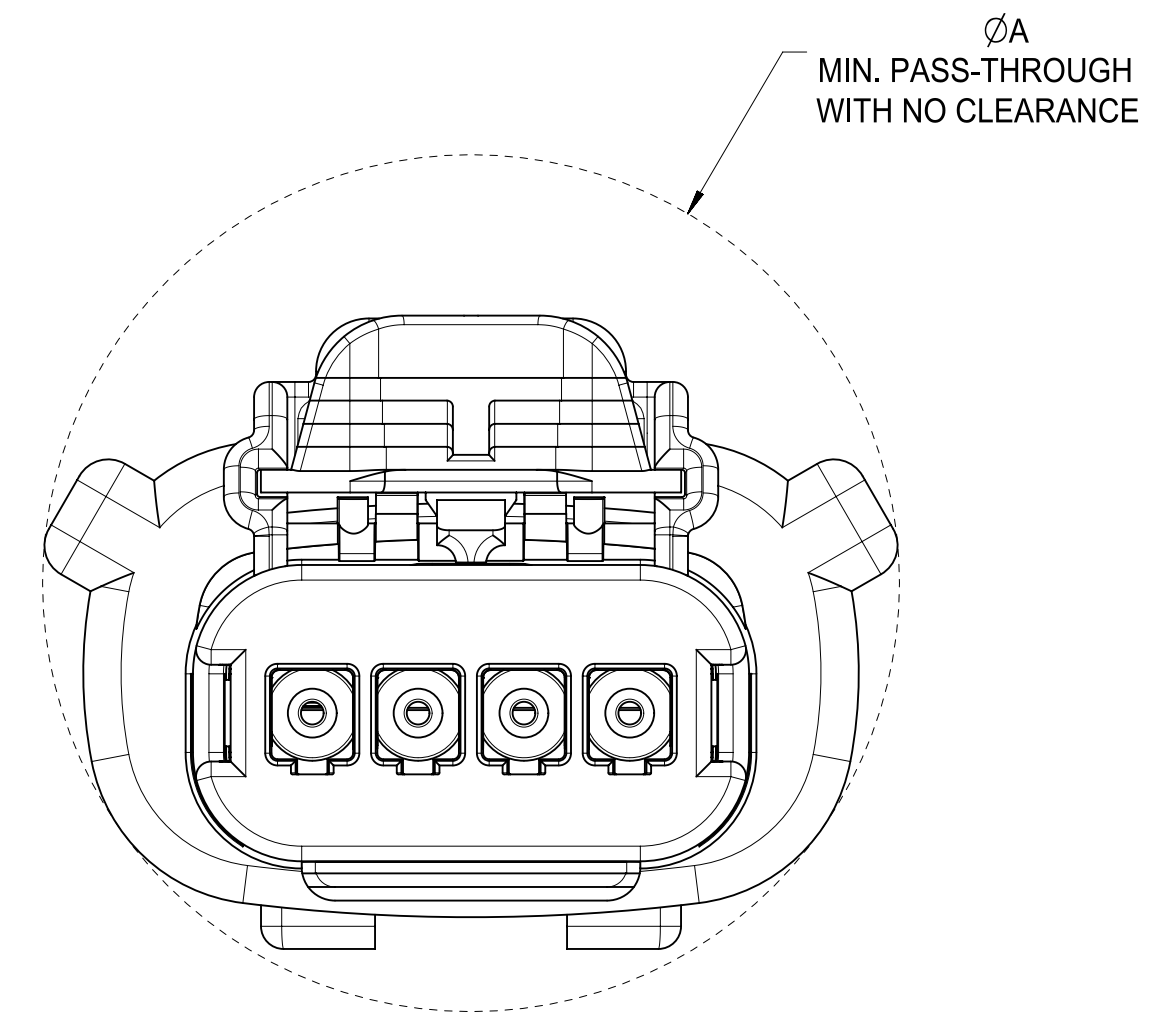
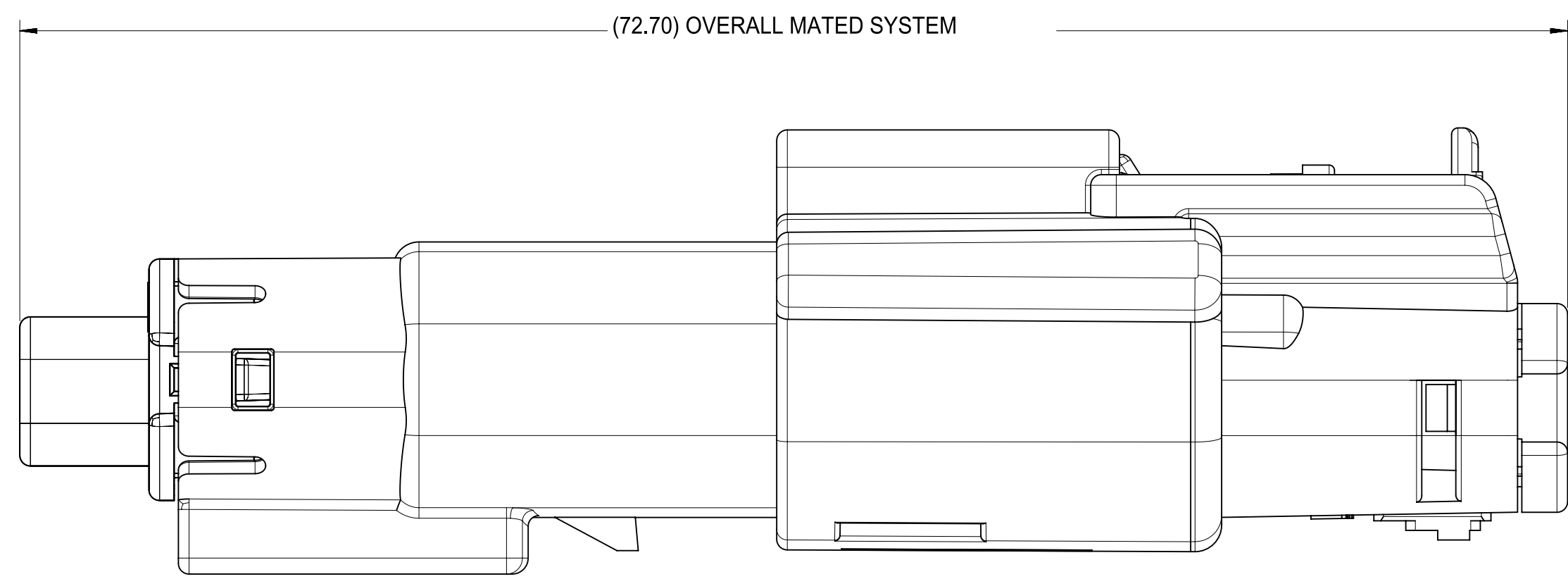


PRIMARY LOCK REINFORCEMENT (PLR) SHOWN  
IN FINAL-LOCK POSITION

SECTION Y-Y

THIS DRAWING CONTAINS INFORMATION THAT IS PROPRIETARY TO MOLEX ELECTRONIC TECHNOLOGIES, LLC AND SHOULD NOT BE USED WITHOUT WRITTEN PERMISSION									
DIMENSION UNITS <b>mm</b>		SCALE <b>4:1</b>		CURRENT REV DESC: UPDATED PARTS STATUS					
GENERAL TOLERANCES (UNLESS SPECIFIED)				EC NO: CO-000001228					
ANGULAR TOL ± 3°				DRWN: MattYoung		21-Jul-2022			
4 PLACES ± 0				CHK'D: Joe Fox		01-Aug-2022			
3 PLACES ± 0				APPR: Katy Boruszewski		02-Aug-2022			
2 PLACES ± 0.1				INITIAL REVISION:					
1 PLACE ± 0.3				DRWN: RFC_PLMIMP					
0 PLACES ± 0				APPR:					
DRAFT WHERE APPLICABLE MUST REMAIN WITHIN DIMENSIONS		THIRD ANGLE PROJECTION 		DRAWING <b>D-SIZE</b>		SERIES <b>33481</b>		DOCUMENT NUMBER <b>SD-33481-041</b>	
				MATERIAL NUMBER		CUSTOMER <b>GENERAL MARKET</b>		DOC TYPE   DOC PART   REVISION <b>PSD   001   W4</b>	
								SHEET NUMBER <b>3 OF 5</b>	





CHARTED DIMENSIONS	
CONFIGURATION	A
MX150 1X4 RECPT SEALED ASSY - STANDARD	29.14
MX150 1X4 RECPT SEALED ASSY - ERGO	29.33
MX150 1X4 RECPT SEALED ASSY - SHORTING (SHRT) BAR	29.14

THIS DRAWING CONTAINS INFORMATION THAT IS PROPRIETARY TO MOLEX ELECTRONIC TECHNOLOGIES, LLC AND SHOULD NOT BE USED WITHOUT WRITTEN PERMISSION

DIMENSION UNITS <b>mm</b>	SCALE <b>4:1</b>	CURRENT REV DESC: UPDATED PARTS STATUS				
GENERAL TOLERANCES (UNLESS SPECIFIED)		EC NO: CO-000001228				
ANGULAR TOL ± 3°	4 PLACES ± 0	DRWN: MattYoung 21-Jul-2022	PRODUCT SALES DRAWING			
3 PLACES ± 0	2 PLACES ± 0.1	CHK'D: Joe Fox 01-Aug-2022	DOCUMENT NUMBER	DOC TYPE	DOC PART	REVISION
1 PLACE ± 0.3	0 PLACES ± 0	APPR: Katy Boruszewski 02-Aug-2022	<b>SD-33481-041</b>	PSD	001	<b>W4</b>
DRAFT WHERE APPLICABLE MUST REMAIN WITHIN DIMENSIONS	THIRD ANGLE PROJECTION	DRAWING	SERIES	MATERIAL NUMBER	CUSTOMER	SHEET NUMBER
		<b>D-SIZE</b>	<b>33481</b>		GENERAL MARKET	<b>4 OF 5</b>

ASSEMBLY PART NUMBER	COLOR	KEYING OPTION	CAVITY TYPE & STATUS (X = PLUGGED)				STATUS	COMMENTS
			1	2	3	4		
33481-0401	BLACK	A					OBSOLETE	
33481-0402	LT. GRAY	B					OBSOLETE	
33481-0403	BROWN	C					OBSOLETE	NOT RECOMMENDED, SEE P/N 33481-0424
33481-0404	GREEN	D					OBSOLETE	NOT RECOMMENDED, SEE P/N 33481-0425
33481-0405	BLACK	C					OBSOLETE	
33481-0406	BLACK	A				X	OBSOLETE	
33481-0407	LT. GRAY	B				X	OBSOLETE	
33481-0408	BROWN	C				X	OBSOLETE	
33481-0409	GREEN	D				X	OBSOLETE	
33481-0410	CUSTOM	TBD				X	OBSOLETE	
33481-0411	BLACK	A	X			X	OBSOLETE	
33481-0412	LT. GRAY	B	X			X	OBSOLETE	
33481-0413	BROWN	C	X			X	OBSOLETE	
33481-0414	GREEN	D	X			X	OBSOLETE	
33481-0415	CUSTOM	TBD	X			X	OBSOLETE	
33481-0416	BLACK	A	X	X	X	X	OBSOLETE	
33481-0417	LT. GRAY	B	X	X	X	X	OBSOLETE	
33481-0418	BROWN	C	X	X	X	X	OBSOLETE	NOT RECOMMENDED, SEE P/N 33481-0426
33481-0419	GREEN	D	X	X	X	X	OBSOLETE	NOT RECOMMENDED, SEE P/N 33481-0427
33481-0420	CUSTOM	TBD	X	X	X	X	OBSOLETE	
33481-0421	BLACK	A			X		OBSOLETE	
33481-0422	BLACK	A			X	X	OBSOLETE	
33481-0423	LT. GRAY	B	X	X			OBSOLETE	
33481-0424	DK. GRAY	C					OBSOLETE	
33481-0425	ST. GRAY	D					OBSOLETE	
33481-0426	DK. GRAY	C	X	X	X	X	OBSOLETE	
33481-0427	ST. GRAY	D	X	X	X	X	OBSOLETE	
33481-0428	YELLOW	A					OBSOLETE	
33481-0429	LT. GRAY	B		X	X		OBSOLETE	
33481-0430	BLACK	A	X		X		OBSOLETE	

ASSEMBLY PART NUMBER	COLOR	KEYING OPTION	CAVITY TYPE & STATUS (X = PLUGGED)				STATUS	COMMENTS
			1	2	3	4		
33481-4401	BLACK	A					SALEABLE	
33481-4402	LT. GRAY	B					SALEABLE	
33481-4403	BROWN	C					SALEABLE	NOT RECOMMENDED, SEE P/N 33481-4424
33481-4404	GREEN	D					SALEABLE	NOT RECOMMENDED, SEE P/N 33481-4425
33481-4405	BLACK	C					SALEABLE	
33481-4406	BLACK	A				X	SALEABLE	
33481-4407	LT. GRAY	B				X	SALEABLE	
33481-4408	BROWN	C				X	SALEABLE	NOT RECOMMENDED
33481-4409	GREEN	D				X	SALEABLE	NOT RECOMMENDED
33481-4410	CUSTOM	TBD				X	SALEABLE	
33481-4411	BLACK	A	X			X	SALEABLE	
33481-4412	LT. GRAY	B	X			X	SALEABLE	
33481-4413	BROWN	C	X			X	SALEABLE	NOT RECOMMENDED
33481-4414	GREEN	D	X			X	SALEABLE	NOT RECOMMENDED
33481-4415	CUSTOM	TBD	X			X	SALEABLE	
33481-4416	BLACK	A	X	X	X	X	SALEABLE	
33481-4417	LT. GRAY	B	X	X	X	X	SALEABLE	
33481-4418	BROWN	C	X	X	X	X	SALEABLE	NOT RECOMMENDED, SEE P/N 33481-4426
33481-4419	GREEN	D	X	X	X	X	SALEABLE	NOT RECOMMENDED, SEE P/N 33481-4427
33481-4420	CUSTOM	TBD	X	X	X	X	SALEABLE	
33481-4421	BLACK	A			X		SALEABLE	
33481-4422	BLACK	A			X	X	SALEABLE	
33481-4423	LT. GRAY	B	X	X			SALEABLE	
33481-4424	DK. GRAY	C					SALEABLE	
33481-4425	ST. GRAY	D					SALEABLE	
33481-4426	DK. GRAY	C	X	X	X	X	SALEABLE	
33481-4427	ST. GRAY	D	X	X	X	X	SALEABLE	
33481-4428	YELLOW	A					SALEABLE	
33481-4429	LT. GRAY	B		X	X		SALEABLE	
33481-4430	BLACK	A	X		X		SALEABLE	

THIS DRAWING CONTAINS INFORMATION THAT IS PROPRIETARY TO MOLEX ELECTRONIC TECHNOLOGIES, LLC AND SHOULD NOT BE USED WITHOUT WRITTEN PERMISSION									
DIMENSION UNITS <b>mm</b>		SCALE <b>1:1</b>		CURRENT REV DESC: UPDATED PARTS STATUS				<b>molex</b>	
GENERAL TOLERANCES (UNLESS SPECIFIED)				EC NO: CO-000001228					
ANGULAR TOL ± 3°		4 PLACES ± 0		3 PLACES ± 0		2 PLACES ± 0.1		1 PLACE ± 0.3	
0 PLACES ± 0		DRAFT WHERE APPLICABLE MUST REMAIN WITHIN DIMENSIONS		THIRD ANGLE PROJECTION		DRAWING <b>D-SIZE</b>		SERIES <b>33481</b>	
DOCUMENT NUMBER <b>SD-33481-041</b>				DOC TYPE <b>PSD</b>		DOC PART <b>001</b>		REVISION <b>W4</b>	
MATERIAL NUMBER				CUSTOMER <b>GENERAL MARKET</b>		SHEET NUMBER <b>5 OF 5</b>			