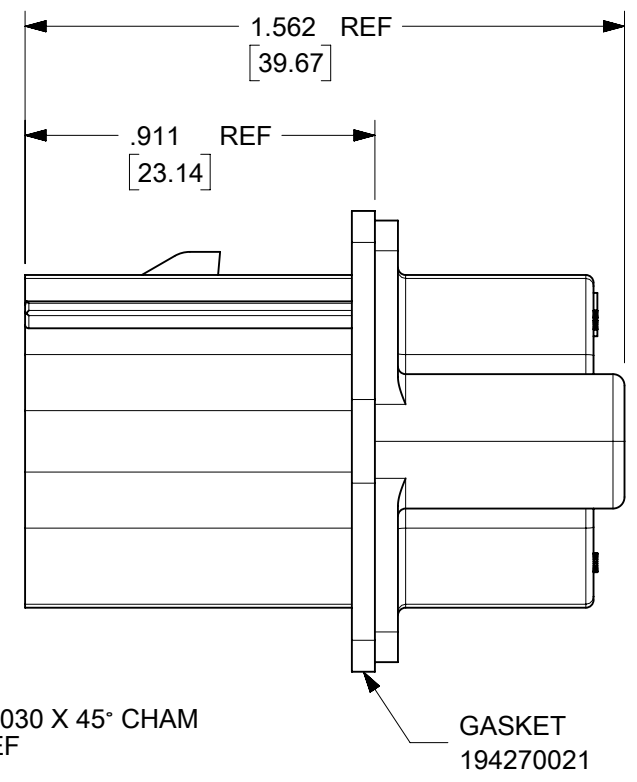
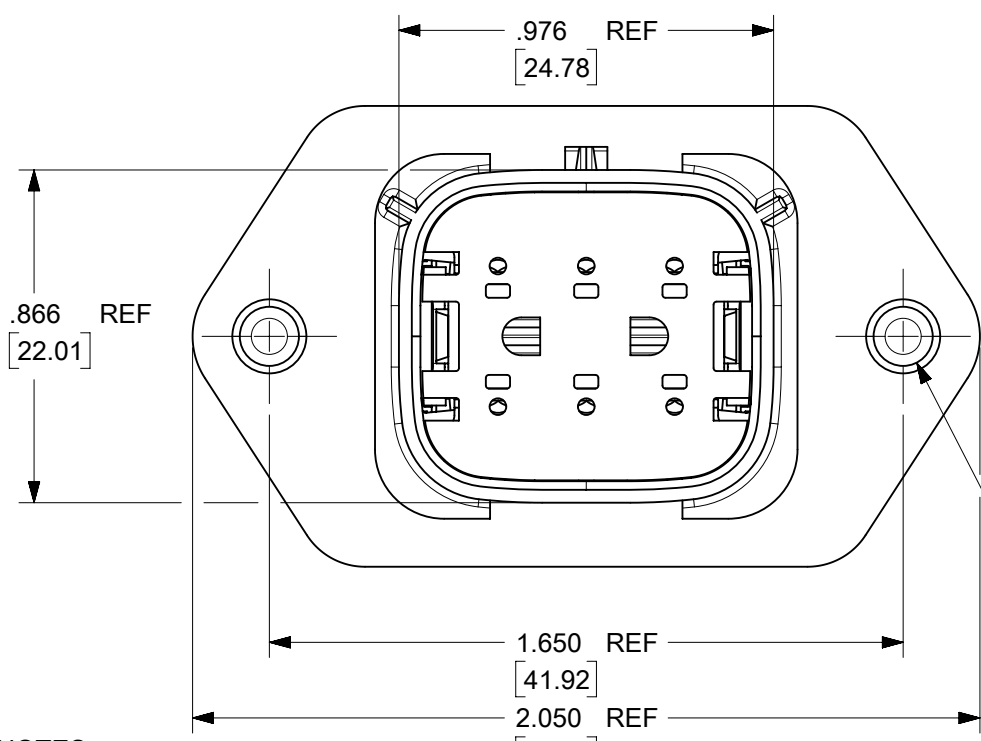
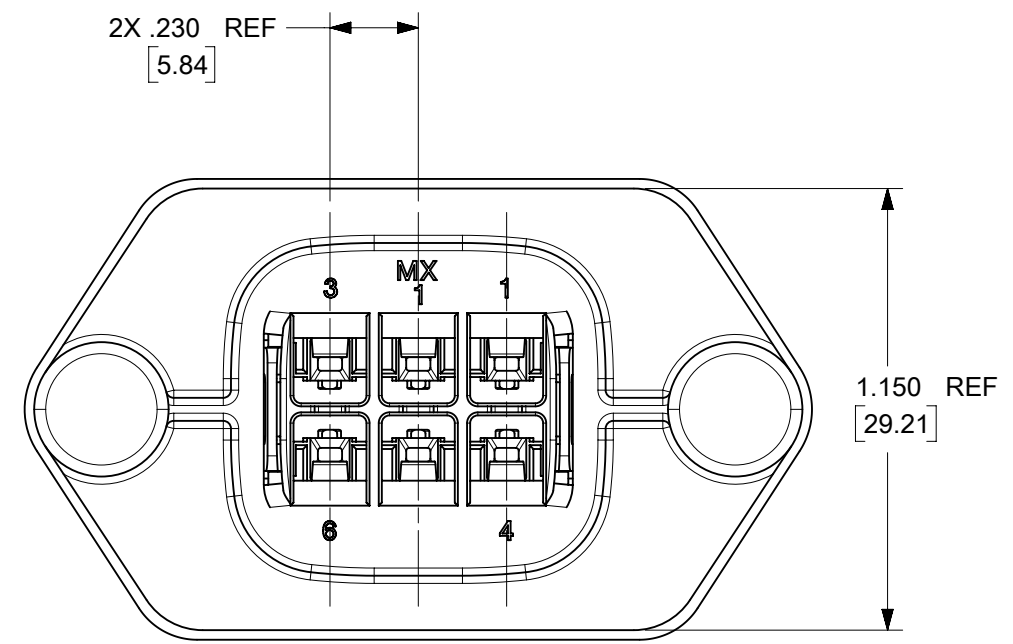


SCALE 1:1



GASKET
194270021



- NOTES:
- MATERIALS: D
HOUSING: SYNDIOTACTIC POLYSTYRENE (SPS), GLASS FILLED, UL94 V-0, COLOR: BLACK
GASKET: EPDM RUBBER
 - PRODUCT SPECIFICATION: PS-19417-001.
 - PACKAGING SPECIFICATION: PK-19429-001.
GASKETS, IF REQUIRED FOR THE ASSEMBLIES, ARE BULK PACKAGED IN A SEPARATE BAG.
 - MATES WITH: 19418 SERIES RECEPTACLE ASSEMBLIES.
 - USE CONNECTOR WITH MALE CRIMP TERMINAL: SERIES 19417.
 - RECOMMENDED MOUNTING HARDWARE: (2)#10 X .62/15.8 LONG PLASTIC THREAD CUTTING SCREWS. RECOMMENDED TORQUE 15-17 IN-LBS.
SUGGESTED SOURCE: ITW SHAKEPROOF INDUSTRIAL BOSSCREW OR EQUIVALENT.
 - ASSEMBLY IS ROHS COMPLIANT.

194290036	YES
194290010	NO
MATERIAL NUMBER	GASKET

THIS DRAWING CONTAINS INFORMATION THAT IS PROPRIETARY TO MOLEX ELECTRONIC TECHNOLOGIES, LLC AND SHOULD NOT BE USED WITHOUT WRITTEN PERMISSION															
FUNCTIONAL SYMBOLS		DIMENSION UNITS		SCALE		CURRENT REV DESC: REDRAWN IN NX & HSG MATERIAL UPDATED									
FA = 0		in/[mm]		2:1		EC NO: 690910 DRWN: RMV02 CHK'D: DMYRICK APPR: JMACNEIL INITIAL REVISION: DRWN: DMYRICK APPR: DTITUS									
FE = 0		GENERAL TOLERANCES (UNLESS SPECIFIED)													
FD = 0		MM		INCH											
DIVISIONAL SYMBOLS		4 PLACES ±		±		2021/12/20		molex 6 WAY PLUG PANEL MOUNT ASSEMBLY 22-14 AWG							
		3 PLACES ±		± 0.015		2022/01/05									
		2 PLACES ±		± 0.38		2022/01/06		PRODUCT CUSTOMER DRAWING							
		1 PLACE ±		±		03/11/10		DOCUMENT NUMBER		DOC TYPE		DOC PART		REVISION	
		0 PLACES ±		±		2010/10/18		SD-19429-003		PSD		001		D	
		ANGULAR TOL ± 1.0°		±				MATERIAL NUMBER		CUSTOMER		SHEET NUMBER			
		DRAFT WHERE APPLICABLE MUST REMAIN WITHIN DIMENSIONS		THIRD ANGLE PROJECTION		DRAWING		SERIES		SEE CHART		GENERAL MARKET		1 OF 1	