

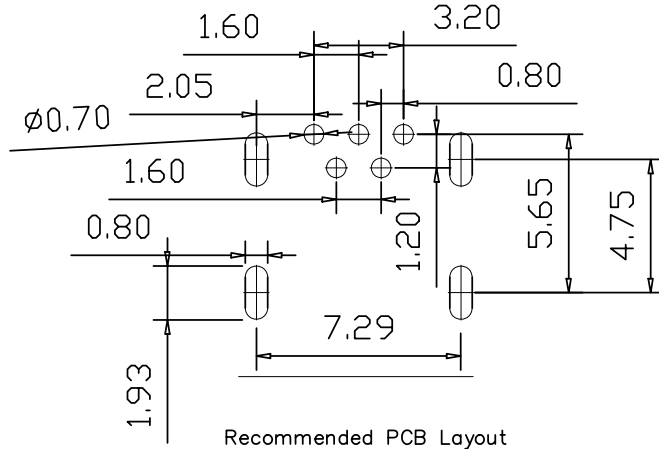
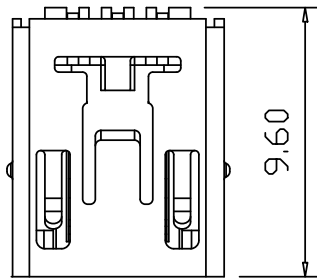
RoHS

MAPX

MODIFICATION

DRW

DATE



电气特性:Electrical:

- 1. 额定电流: Current Rating  
1.5A/contact terminal
- 2. 额定电压: Voltage Rating  
30V DC
- 3. 接触阻抗: Contact Resistance  
30 milliohms MAX
- 4. 耐电压: Dielectric Withstanding Voltage:  
500 V AC AT Sea Level
- 5. 绝缘阻抗: Insulation Resistance:  
1000MEGA ohms MIN

物理性能: Mechanical:

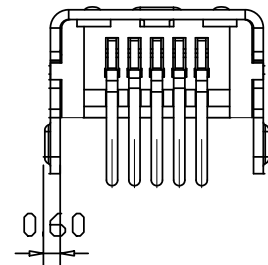
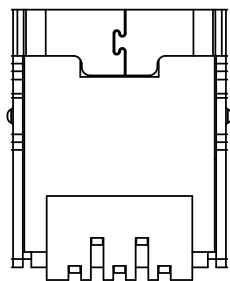
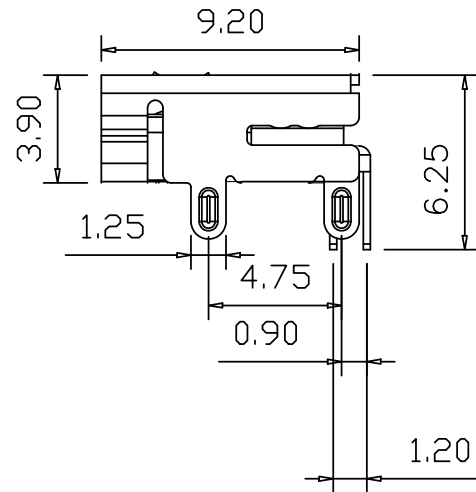
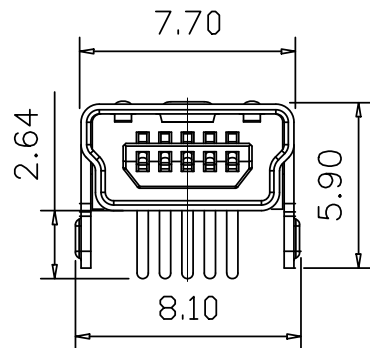
- 1. 插拔力: Connector Mate and Unmate Force  
Mate force: 3.57kgf (MAX)  
Unmate force: 0.7kgf (MIN)
- 2. 端子保持力: Terminal Retention  
1.0kgf (MIN)
- 3. 寿命: 1500次

原材料: Material:

- 1. 塑胶: Housing: LCP BK
- 2. 端子: Contact: Copper Alloy C2680
- 3. 外壳: Shell: SPCC/C2680

电镀: Finish:

- 1. 端子 Contact: Au G/Fu" Plated on contact area  
Tin50u" Plated on solder area  
Nickel 50u" Plated underplating over all.
- 2. 外壳 Shell: Nickel 50u" Min plating over all.



产品图

PRODUCT CHART DWG

公差一览表

TOLERANCE UNLESS OTHERWISE			
X.	±0.35	X.	±5.°
.X	±0.30	.X	±2.°
.XX	±0.25	.XX	±1.°
.XXX	±0.05	.XXX	±0.5°

深圳市精拓金电子有限公司  
Shenzhen Jing Tuo Jin Electronics Co., Ltd.

单位 UNITS	MM	制图 DRAWING	L-S-S	制图料号 PRODUCT PART NO.	920-462A2021D10102
比例 SCALE	1:1	审核 CHKD	G-Z-F	产品名称 PRODUCT NO.	MINI5P母座四脚铜壳LCP黑胶90度
日期 DATE	2021-03-10	核准 APPD	黄国荣	角法 VIEW	版本 VER
					AO