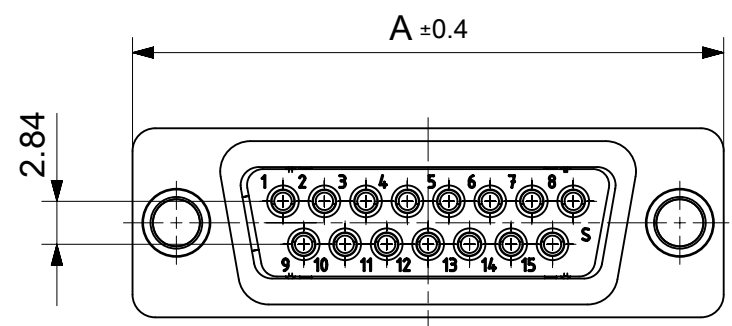
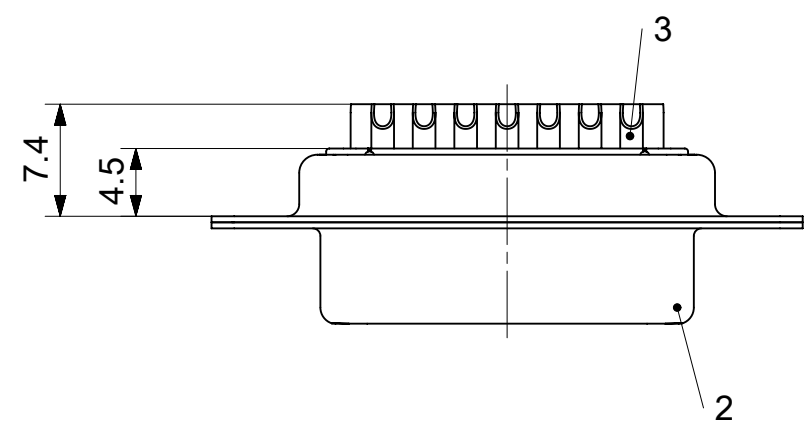
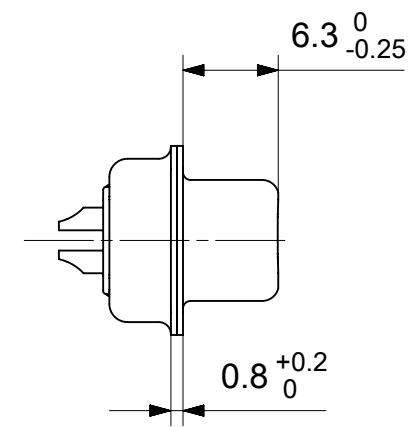
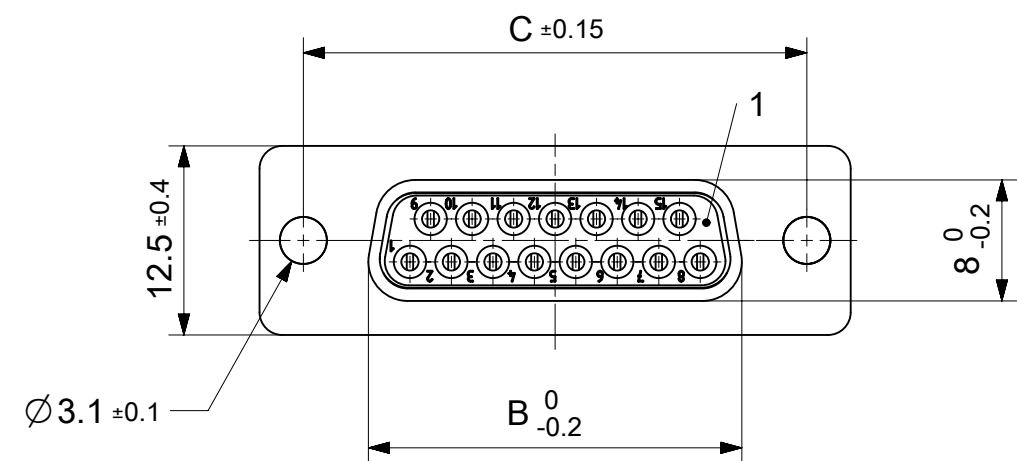


RoHS compliant  
by exemption



FCT Part number:

Fxx\*1)S0G1A

e.g. F15S0G1A

\*1) xx No. of contacts 09, 15, 25 or 37

Material Number	xx*1)	A[mm]	B[mm]	C[mm]
1731090643	09	30.8	16.4	25
1731090310	15	39.1	24.7	33.3
1731090647	25	53	38.5	47.04
1731090312	37	69.3	54.9	63.5

No.	Pc.	Part	Type Description/Material	Surface plating/Color/Class
3	xx	Signal contact	S0 / Brass	AuroPur / AWG 20
2	1	Shell	Steel	tin plated
1	1	Insulator	PBT (-55°C to +125°C) acc. UL94V-0	white

MEASUREMENTS WITHOUT TOLERANCE ACC TO ISO 2768-m

REPLACEMENT FOR DOCUMENT NUMBER: FxxS0G1A

FUNCTIONAL SYMBOLS: THIS DRAWING CONTAINS INFORMATION THAT IS PROPRIETARY TO MOLEX ELECTRONIC TECHNOLOGIES, LLC AND SHOULD NOT BE USED WITHOUT WRITTEN PERMISSION

FUNCTIONAL SYMBOLS: DIMENSION UNITS: mm, SCALE: 2:1

GENERAL TOLERANCES (UNLESS SPECIFIED): ANGULAR TOL ± °

DIVISIONAL SYMBOLS: 4 PLACES ±, 3 PLACES ±, 2 PLACES ±, 1 PLACE ±, 0 PLACES ±

EC NO: 712973, DRWN: SKANDB, 2022/01/21, APPR: MTEUBEL, 2022/07/12

INITIAL REVISION: DRWN: SKANDB, 2022/01/21, APPR: MTEUBEL, 2022/07/12

DRAFT WHERE APPLICABLE MUST REMAIN WITHIN DIMENSIONS

FIRST ANGLE PROJECTION

DRAWING: A3-SIZE, SERIES: 173109

DOCUMENT NUMBER: 1731090643, DOC TYPE: PSD, DOC PART: 000, REVISION: A

MATERIAL NUMBER: SEE TABLE, CUSTOMER: GENERAL MARKET, SHEET NUMBER: 1 OF 1

**molex**

FCT D-SUB MINIATURE CONNECTOR

PRODUCT CUSTOMER DRAWING