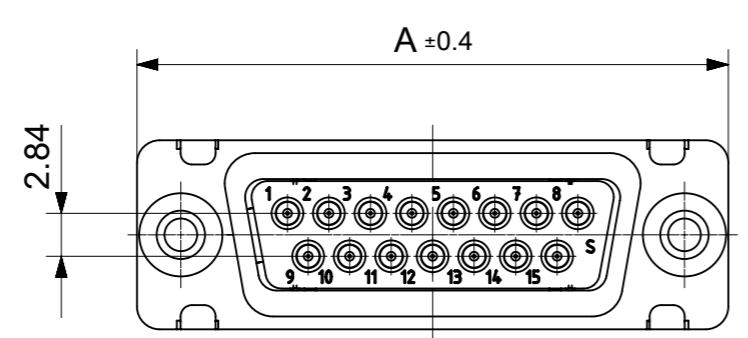
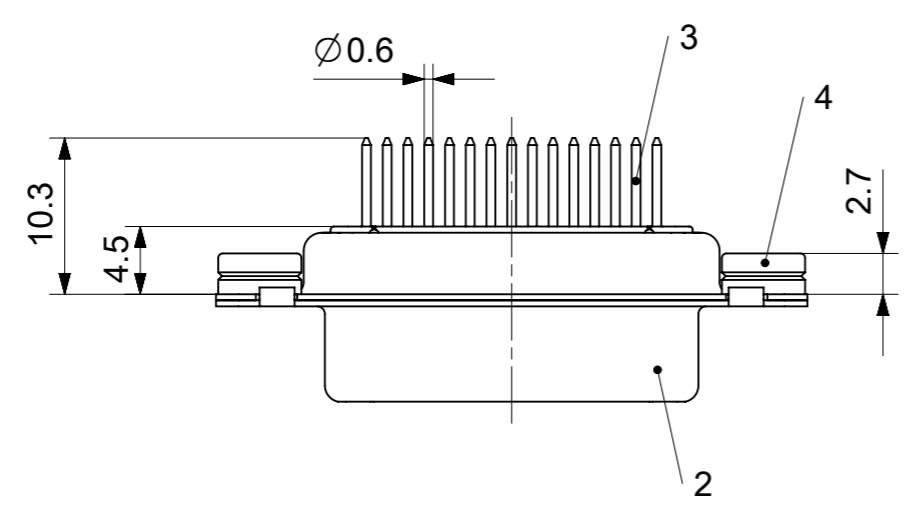
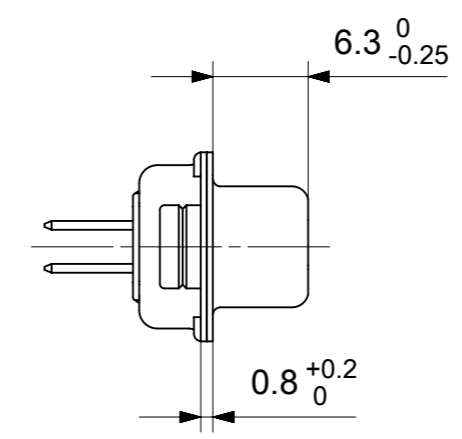
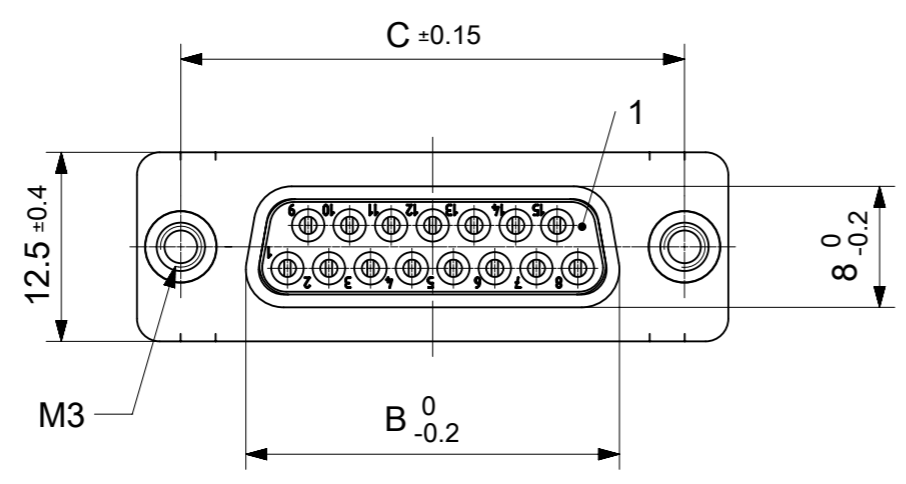


RoHS compliant  
by exemption



FCT Part number:

FZxx\*1)S1y\*2)

e.g. FZ15S1G1

\*1) xx No. of contacts 09, 15, 25 or 37

\*2) y for performance classes 1, 2 or 3

(contact cycle for G1/G2/G3 = 500/200/50)

Material Number	xx*1)	y*2)	A[mm]	B[mm]	C[mm]	*E[mm]
1731090617	09	G1	30.8	16.4	25	Ø1
-	15	-	39.1	24.7	33.3	
1731091011	25	G1	53	38.5	47.04	
1731090629		G3				
-	37	-	69.3	54.9	63.5	

\*PCB hole patterns ØE see document 2195600023

No.	Pc.	Part	Type Description/Material	Surface plating/Color/Class
4	2	Clinch nut	FZ M3 / Steel	tin plated
3	xx	Signal contact	S1 / Brass	G1 / G3
2	1	Shell	Steel	tin plated
1	1	Insulator	PBT (-55°C to +125°C) acc. UL94V-0	white

MEASUREMENTS WITHOUT TOLERANCE ACC TO ISO 2768-m

REPLACEMENT FOR DOCUMENT NUMBER: FZxxS1Gy

FUNCTIONAL SYMBOLS: THIS DRAWING CONTAINS INFORMATION THAT IS PROPRIETARY TO MOLEX ELECTRONIC TECHNOLOGIES, LLC AND SHOULD NOT BE USED WITHOUT WRITTEN PERMISSION

SCALE: 2:1

GENERAL TOLERANCES (UNLESS SPECIFIED):

ANGULAR TOL ± °

4 PLACES ±

3 PLACES ±

2 PLACES ±

1 PLACE ±

0 PLACES ±

DRAFT WHERE APPLICABLE MUST REMAIN WITHIN DIMENSIONS

FIRST ANGLE PROJECTION

DRAWING: A3-SIZE

SERIES: 173109

MATERIAL NUMBER: SEE TABLE

CUSTOMER: GENERAL MARKET

SHEET NUMBER: 1 OF 1

EC NO: 708549

DRWN: SUGEEB 2021/12/07

CHK'D: MTEUBEL 2022/05/30

APPR: MTEUBEL 2022/05/30

INITIAL REVISION:

DRWN: SUGEEB 2021/12/07

APPR: MTEUBEL 2022/05/30

DOCUMENT NUMBER: 1731090617

DOC TYPE: PSD

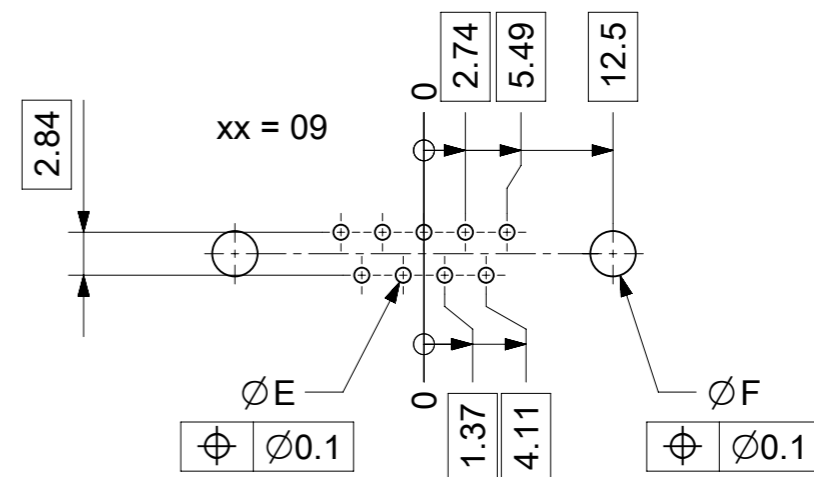
DOC PART: 000

REVISION: A

**molex**

FCT D-SUB MINIATURE CONNECTOR

PRODUCT CUSTOMER DRAWING



øE, øF see data sheet incl. connector  
øF connectors with accessories only

MEASUREMENTS WITHOUT TOLERANCE ACC TO ISO 2768-m				REPLACEMENT FOR DOCUMENT NUMBER: AM0023			
THIS DRAWING CONTAINS INFORMATION THAT IS PROPRIETARY TO MOLEX ELECTRONIC TECHNOLOGIES, LLC AND SHOULD NOT BE USED WITHOUT WRITTEN PERMISSION							
FUNCTIONAL SYMBOLS	DIMENSION UNITS	SCALE	CURRENT REV DESC:				
$\nabla_A = 0$	mm	2:1	EC NO: 713905 DRWN: SKANDB 2022/05/16 CHK'D: MTEUBEL 2022/07/12 APPR: MTEUBEL 2022/07/12 INITIAL REVISION: DRWN: SKANDB 2022/05/16 APPR: MTEUBEL 2022/07/12				
$\nabla_E = 0$	GENERAL TOLERANCES (UNLESS SPECIFIED)						
$\nabla_F = 0$	ANGULAR TOL ± °						
DIVISIONAL SYMBOLS	4 PLACES ±						
	3 PLACES ±		PRODUCT CUSTOMER DRAWING				
	2 PLACES ±		DOCUMENT NUMBER		DOC TYPE	DOC PART	REVISION
	1 PLACE ±		2195600023		PSD	000	A
	0 PLACES ±		MATERIAL NUMBER		CUSTOMER		SHEET NUMBER
DRAFT WHERE APPLICABLE MUST REMAIN WITHIN DIMENSIONS		FIRST ANGLE PROJECTION	DRAWING	SERIES	MATERIAL NUMBER	CUSTOMER	SHEET NUMBER
			A3-SIZE	219560	219560	GENERAL MARKET	1 OF 1