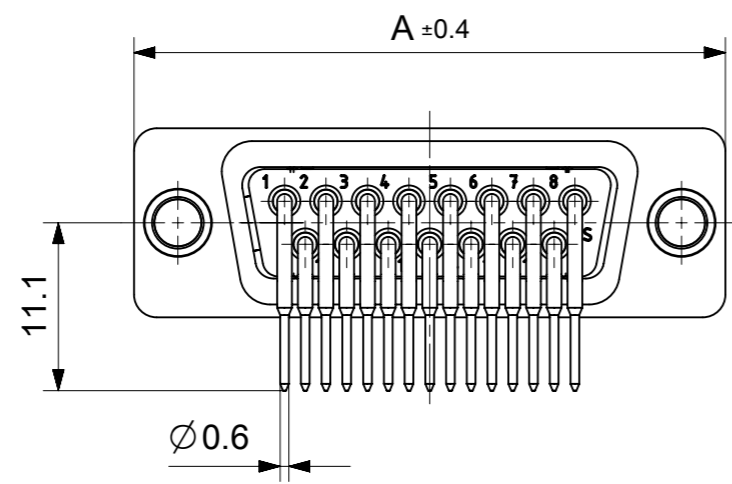
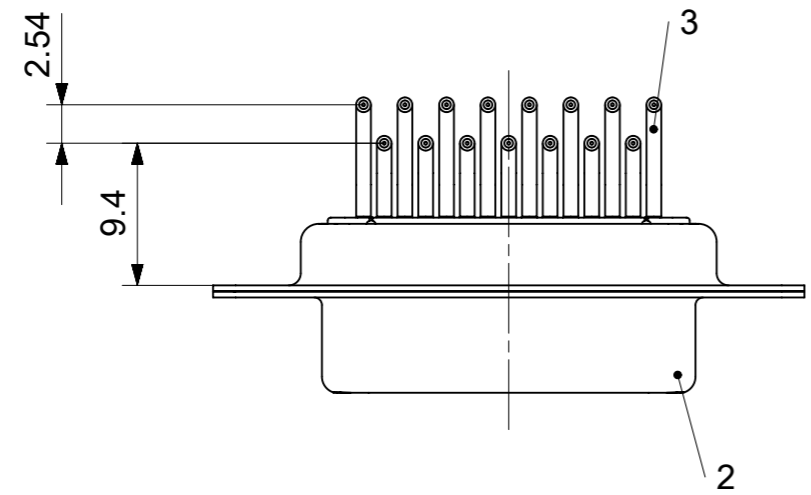
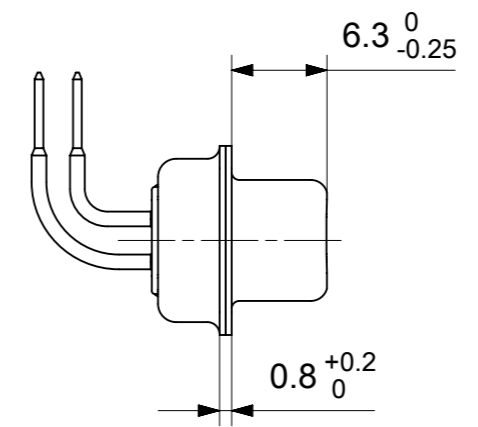
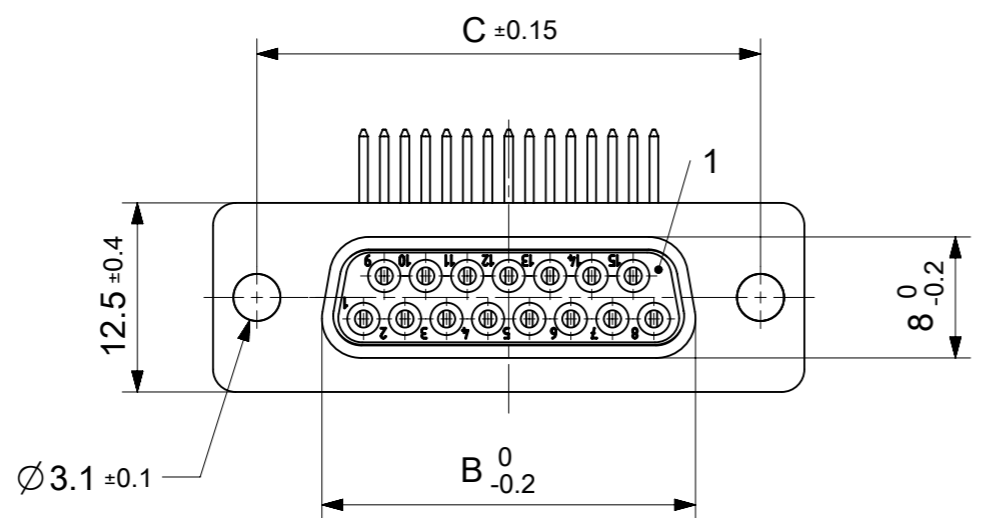


RoHS compliant  
by exemption



FCT Part number:

Fxx\*1)S5y\*2)

e.g. F15S5G1

\*1) xx No. of contacts 09, 15, 25 or 37

\*2) y for performance classes 1, 2 or 3

(contact cycle for G1/G2/G3 = 500/200/50)

Material Number	xx*1)	y*2)	A[mm]	B[mm]	C[mm]	*E [mm]	*H [mm]	*J [mm]
1731090697	09	G1	30.8	16.4	25	Ø1	9.4	2.54
1731090783		G2						
1731090706	15	G1	39.1	24.7	33.3			
1731090680		G2						
1731090715	25	G1	53	38.5	47.04			
1731090717		G2						
1731090727	37	G1	69.3	54.9	63.5			
1731090591		G2						

\*PCB hole patterns ØE, H, J see document 2195600024

3	xx	Signal contact	S5 / Brass	G1 / G2
2	1	Shell	Steel	tin plated
1	1	Insulator	PBT (-55°C to +125°C) acc. UL94V-0	white
No.	Pc.	Part	Type Description/Material	Surface plating/Color/Class

MEASUREMENTS WITHOUT TOLERANCE ACC TO ISO 2768-m

REPLACEMENT FOR DOCUMENT NUMBER: FxxS5Gy

FUNCTIONAL SYMBOLS: THIS DRAWING CONTAINS INFORMATION THAT IS PROPRIETARY TO MOLEX ELECTRONIC TECHNOLOGIES, LLC AND SHOULD NOT BE USED WITHOUT WRITTEN PERMISSION

DIMENSION UNITS: mm

SCALE: 2:1

GENERAL TOLERANCES (UNLESS SPECIFIED):

ANGULAR TOL ± °

4 PLACES ±

3 PLACES ±

2 PLACES ±

1 PLACE ±

0 PLACES ±

DIVISIONAL SYMBOLS:

DRAFT WHERE APPLICABLE MUST REMAIN WITHIN DIMENSIONS

FIRST ANGLE PROJECTION

DRAWING: A3-SIZE

SERIES: 173109

MATERIAL NUMBER: SEE TABLE

CUSTOMER: GENERAL MARKET

SHEET NUMBER: 1 OF 1

EC NO: 714756

DRWN: SKANDB 2022/02/16

CHK'D: MTEUBEL 2022/07/22

APPR: MTEUBEL 2022/07/22

INITIAL REVISION:

DRWN: SKANDB 2022/02/16

APPR: MTEUBEL 2022/07/22

DOCUMENT NUMBER: 1731090697

DOC TYPE: PSD

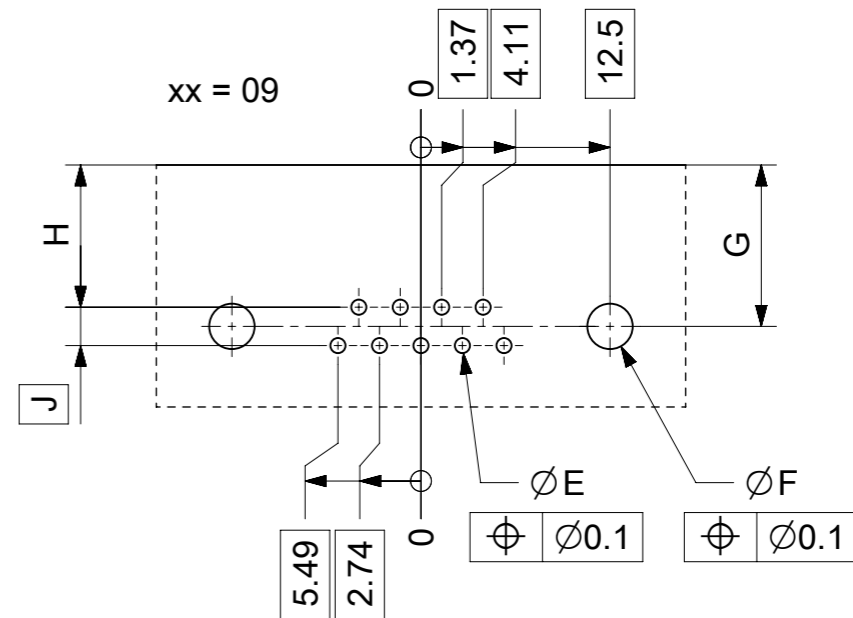
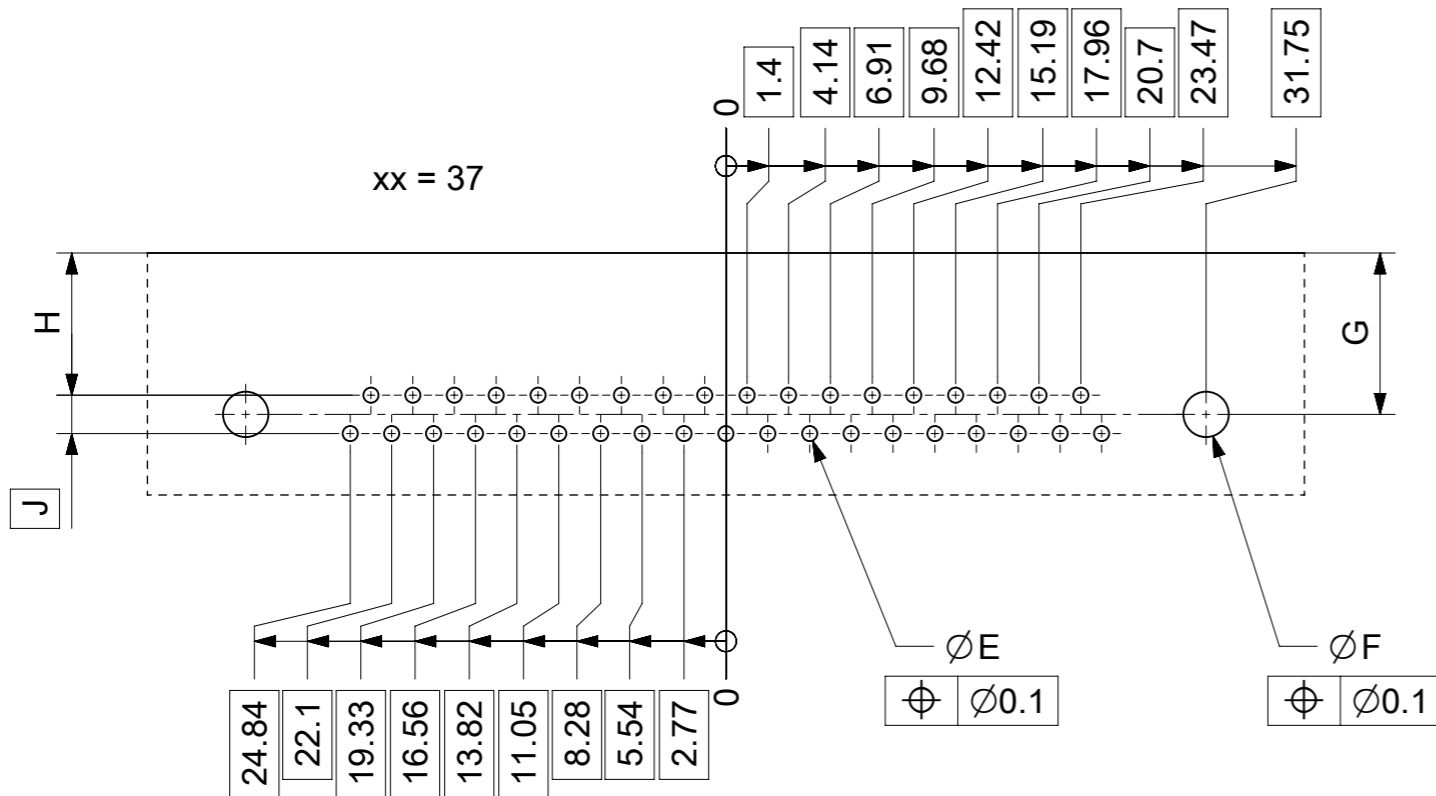
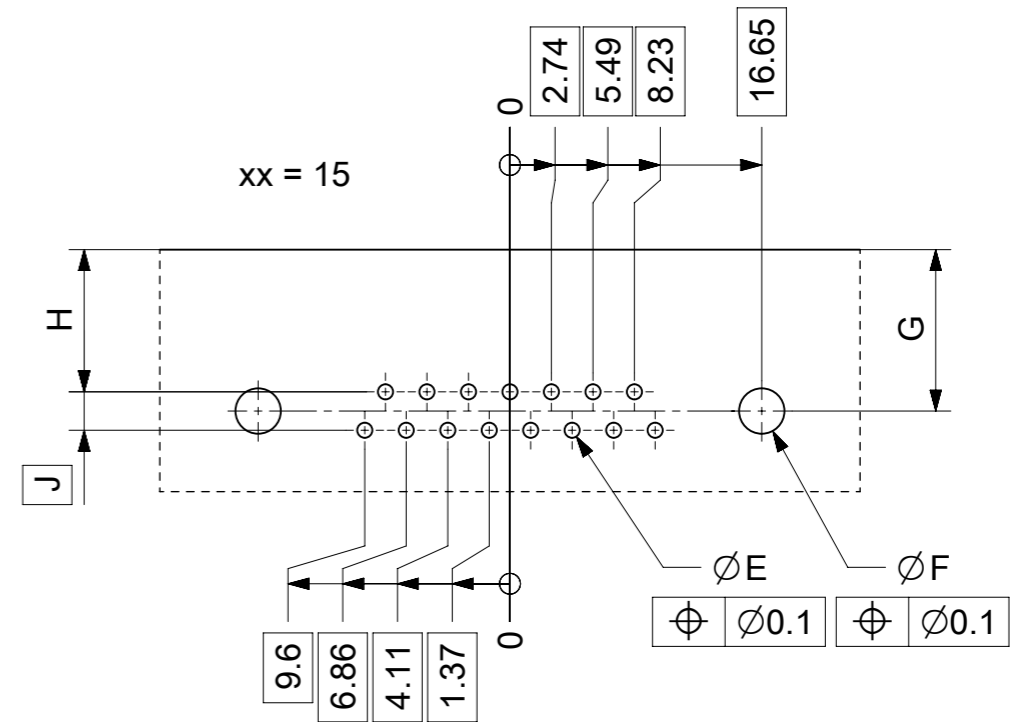
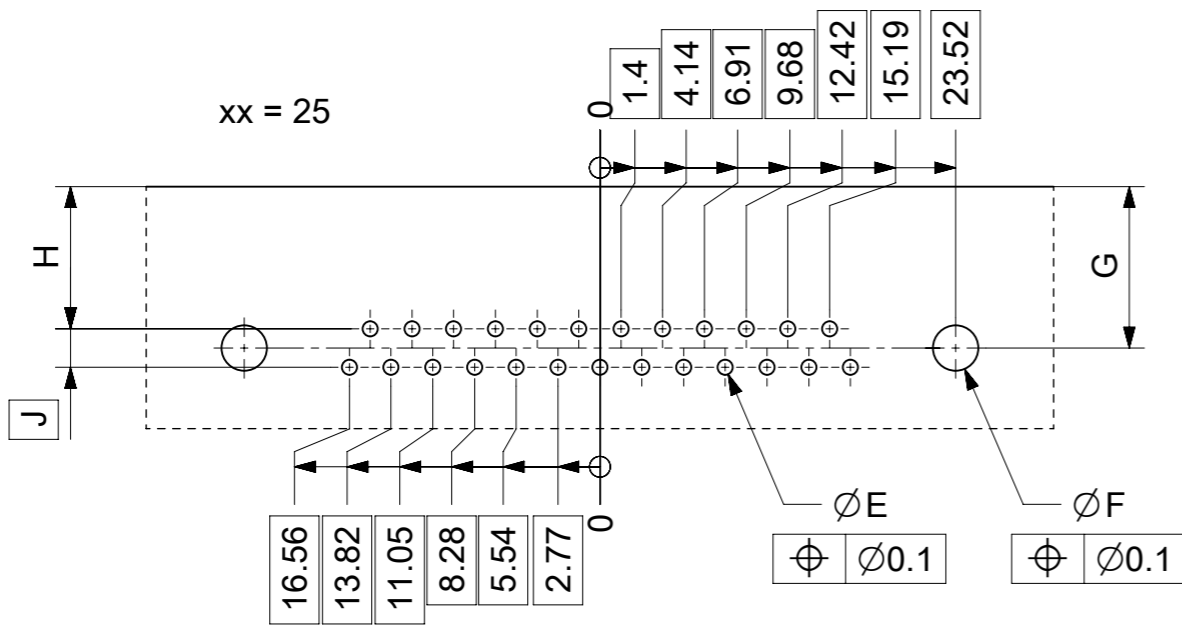
DOC PART: 000

REVISION: A

**molex**

FCT D-SUB MINIATURE CONNECTOR

PRODUCT CUSTOMER DRAWING



øE, øF, G, H, J see data sheet incl. connector  
øF, G connectors with accessories only

MEASUREMENTS WITHOUT TOLERANCE ACC TO ISO 2768-m			REPLACEMENT FOR DOCUMENT NUMBER: AM0024		
THIS DRAWING CONTAINS INFORMATION THAT IS PROPRIETARY TO MOLEX ELECTRONIC TECHNOLOGIES, LLC AND SHOULD NOT BE USED WITHOUT WRITTEN PERMISSION					
FUNCTIONAL SYMBOLS	DIMENSION UNITS	SCALE	CURRENT REV DESC:		
$\nabla_A = 0$	mm	2:1	<b>molex</b> FCT PCB HOLE PATTERN RIGHT ANGL. CONTACT NO. OF CONTACTS 09-37 PRODUCT CUSTOMER DRAWING		
$\nabla_F = 0$	GENERAL TOLERANCES (UNLESS SPECIFIED)				
$\nabla_P = 0$	ANGULAR TOL ± °				
DIVISIONAL SYMBOLS	4 PLACES ±				
	3 PLACES ±		EC NO: 713905	2022/05/16	
	2 PLACES ±		DRWN: SKANDB	2022/07/12	
	1 PLACE ±		CHK'D: MTEUBEL	2022/07/12	
	0 PLACES ±		APPR: MTEUBEL	2022/07/12	
DRAFT WHERE APPLICABLE MUST REMAIN WITHIN DIMENSIONS			FIRST ANGLE PROJECTION	DRAWING	SERIES
				A3-SIZE	219560
			MATERIAL NUMBER	CUSTOMER	SHEET NUMBER
			219560	GENERAL MARKET	1 OF 1