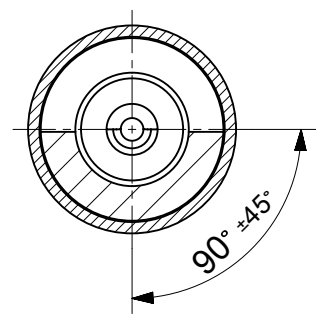


RoHS compliant
by exemption

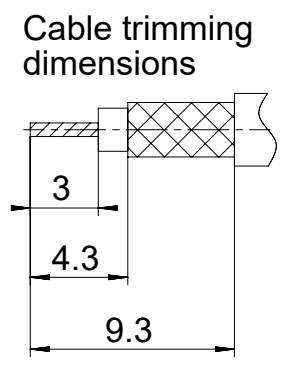
Crimping tools see document 2195600660
Cable RG178BU, RG196AU, RG404U

1731121014	FDX001S102	102
Material Number	FCT Part Number	Material + Finish See extra sheet



Solderpot position

A-A



Cable trimming dimensions

UNLESS OTHERWISE SPECIFIED DIMENSIONS FOR REFERENCE ONLY				REPLACEMENT FOR DOCUMENT NUMBER: FDX001S								
THIS DRAWING CONTAINS INFORMATION THAT IS PROPRIETARY TO MOLEX ELECTRONIC TECHNOLOGIES, LLC AND SHOULD NOT BE USED WITHOUT WRITTEN PERMISSION												
FUNCTIONAL SYMBOLS	DIMENSION UNITS	SCALE	CURRENT REV DESC:									
$\frac{E}{A} = 0$	mm	5:1	EC NO: 712027									
$\frac{E}{E} = 0$	GENERAL TOLERANCES (UNLESS SPECIFIED)		DRWN: VLOKESHA 2021/05/19									
$\frac{E}{P} = 0$	ANGULAR TOL ± °		CHK'D: MTEUBEL 2022/06/29									
DIVISIONAL SYMBOLS	4 PLACES	±	APPR: MTEUBEL 2022/06/29									
	3 PLACES	±	INITIAL REVISION:									
	2 PLACES	±	DRWN: VLOKESHA 2021/05/19									
	1 PLACE	±	APPR: MTEUBEL 2022/06/29									
	0 PLACES	±	DRAFT WHERE APPLICABLE MUST REMAIN WITHIN DIMENSIONS		FIRST ANGLE PROJECTION	DRAWING	SERIES	MATERIAL NUMBER	CUSTOMER	DOC TYPE	DOC PART	REVISION
						A4-SIZE	173112	SEE TABLE	GENERAL MARKET	PSD	000	A
DOCUMENT STATUS			P1	RELEASE DATE	2022/06/29	08:06:12						

molex
FCT 50 OHM COAXIAL CONTACT
FOR EN 60603-2

PRODUCT CUSTOMER DRAWING
DOCUMENT NUMBER: 1731121014
DOC TYPE: PSD
DOC PART: 000
REVISION: A