



②ハウジング  
HOUSING



|     |    |    |                    |
|-----|----|----|--------------------|
| 9.2 | 38 | 42 | 40                 |
| 9.2 | 36 | 40 | 38                 |
| 9.2 | 34 | 38 | 36                 |
| 9.2 | 32 | 36 | 34                 |
| 9.2 | 30 | 34 | 32                 |
| 9.2 | 28 | 32 | 30                 |
| 9.2 | 26 | 30 | 28                 |
| 9.2 | 24 | 28 | 26                 |
| 9.2 | 22 | 26 | 24                 |
| 9.2 | 20 | 24 | 22                 |
| 9.2 | 18 | 22 | 20                 |
| 9.2 | 16 | 20 | 18                 |
| 9.2 | 14 | 18 | 16                 |
| 9.2 | 12 | 16 | 14                 |
| 9.2 | 10 | 14 | 12                 |
| 7.3 | 8  | 12 | 10                 |
| C   | B  | A  | 極数<br>CIRCUIT SIZE |

△ TABLE 1

| 番号<br>No. | 部品<br>PART        | 材質<br>MATERIAL   |  |
|-----------|-------------------|--|--|
| ①         | ターミナル<br>TERMINAL | 黄銅, BRASS  |  |
|           |                   | 下地めっき<br>UNDER PLATING   | ニッケルめっき 1 micro-meter MIN<br>NICKEL PLATING 1 micro-meter MIN                      |
|           |                   | コンタクト<br>CONTACT   | 金めっき 0.1/0.38/0.76 micro-meters MIN<br>GOLD PLATING 0.1/0.38/0.76 micro-meters MIN |
|           |                   | テール<br>SOLDER TAIL   | 無光沢錫めっき 1 micro-meter MIN<br>MATTE TIN PLATING 1 micro-meter MIN                   |
| ②         | ハウジング<br>HOUSING  | ポリアミド(PA)ガラス入り, UL94V-0, 色 : SEE CHART<br>POLYAMIDE(PA) GLASS FILLED, UL94V-0, COLOR : SEE CHART |  |

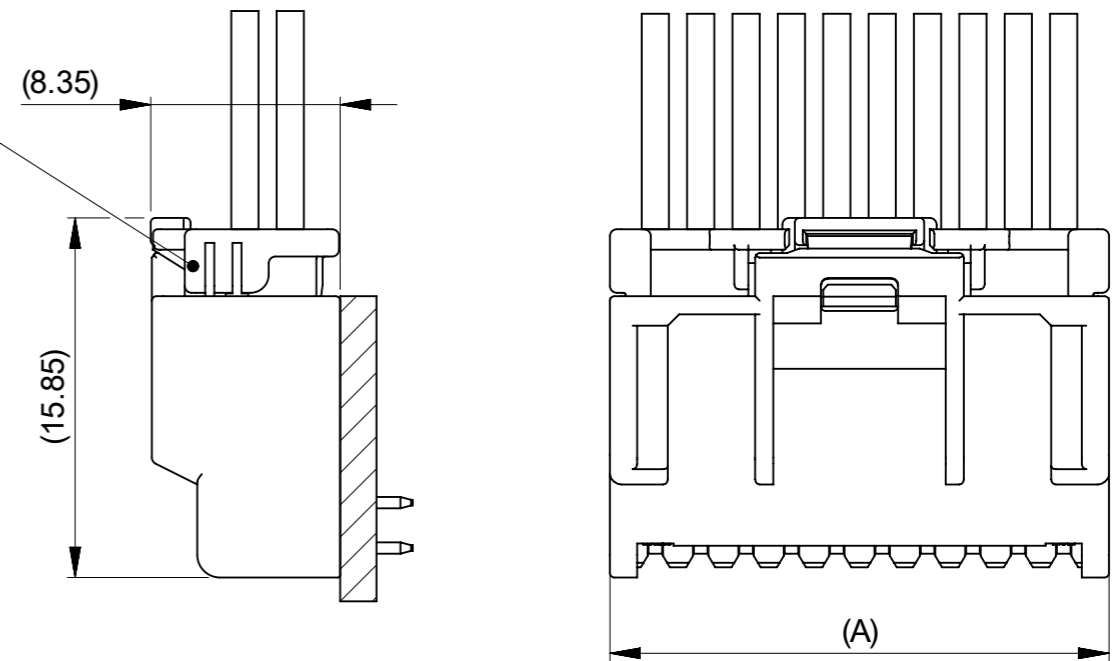
THIS DRAWING CONTAINS INFORMATION THAT IS PROPRIETARY TO MOLEX ELECTRONIC TECHNOLOGIES, LLC AND SHOULD NOT BE USED WITHOUT WRITTEN PERMISSION

|  |         |                           |  |                 |          |
|--|---------|---------------------------|--|-----------------|----------|
| DIMENSION UNITS  | SCALE   | CURRENT REV DESC: REVISED | <b>molex</b>   |                 |          |
| mm   | NTS     |                           |  |                 |          |
| GENERAL TOLERANCES (UNLESS SPECIFIED)                      |         |                           | IGRID 2.0 WIRE TO BOARD<br>RIGHT ANGLE TH PLUG ASSEMBLY GOLD PLATING |                 |          |
| ANGULAR TOL  | ± 3.0 ° | EC NO: 721018             | PRODUCT CUSTOMER DRAWING   |                 |          |
| 4 PLACES   | ± 0.2   | DRWN: HHUSSIN             | 2022/09/06   |                 |          |
| 3 PLACES   | ± 0.2   | CHK'D: SAKIYAMA           | 2022/11/21   |                 |          |
| 2 PLACES   | ± 0.2   | APPR: AIDA                | 2022/11/21   |                 |          |
| 1 PLACE  | ± 0.2   | INITIAL REVISION:         |  |                 |          |
| 0 PLACES   | ± 0.2   | DRWN: SNAKAMURA08         | 2019/10/08   | DOCUMENT NUMBER | DOC TYPE |
| DRAFT WHERE APPLICABLE<br>MUST REMAIN<br>WITHIN DIMENSIONS |         |                           | 2020/03/18   | 2086590000-SD   | PSD      |
| THIRD ANGLE PROJECTION                                     |         |                           | DRAWING  | SERIES          | DOC PART |
| A3-SIZE  |         |                           | 208659   | CUSTOMER        | REVISION |
| SEE CHART  |         |                           | GENERAL  | 1 OF 4          |          |

**NOTES.**

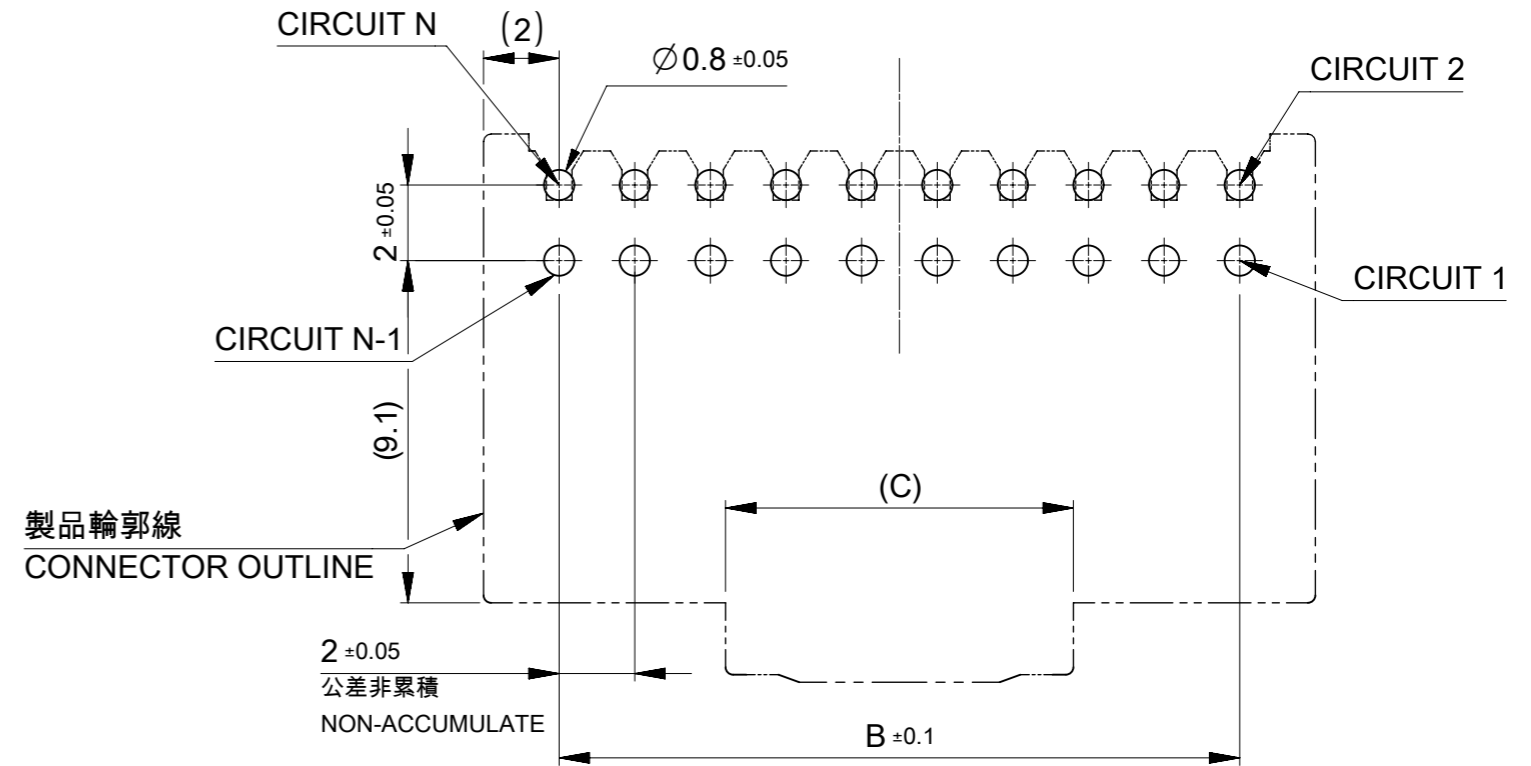
- 1 材料及び仕上げ(めっき仕様) : TABLE 1 参照  
MATERIAL AND FINISHES : SEE TABLE 1
- 2 適用製品及び各種仕様書はSHEET 3を御参照ください。  
PLEASE REFER TO SHEET 3 ABOUT APPLICABLE PRODUCTS AND VARIOUS SPECIFICATIONS.
- 3. 本製品は金めっき品です。錫めっき品は5018760000-SD/PSD/000を御参照ください。  
THIS PRODUCT IS A GOLD PLATING. FOR TIN PLATING PRODUCT,  
PLEASE REFER TO 5018760000-SD/PSD/000.
- 4 極数/2 = 偶数に適用  
APPLY FOR CIRCUIT SIZE / 2 =EVEN
- 5. ソルダーテール部に錫めっきを使用している為、外観に摺動痕が付く場合があります。  
THE WOUND OF FRICTION MIGHT ADHERE TO EXTERNALS  
BECAUSE THE TIN PLATING IS USED IN SOLDER-TAIL PART.
- 6 発注番号 : SHEET 4 参照  
ORDER No. : PLEASE REFER TO SHEET 4 FOR PRODUCT LIST

嵌合相手 501646 SERIES  
MATE WITH : 501646 SERIES



嵌合図  
MATED CONNECTORS

|                    |      |                                 |
|--------------------|------|---------------------------------|
| 208659             | **** | ハウジングカラー<br>HOUSING COLOR       |
| 極数<br>CIRCUIT SIZE |      | 0:ナチュラル NATURAL<br>(白 WHITE)    |
|                    |      | 1:黒 BLACK                       |
|                    |      | 金めっき厚<br>GOLD PLATING THICKNESS |
|                    |      | 4 : 0.1 micro-meters MIN        |
|                    |      | 6 : 0.38 micro-meters MIN       |
|                    |      | 7 : 0.76 micro-meters MIN       |



基板取付穴推奨寸法(マウント面)  
RECOMMENDED PCB HOLE DIMENSION (MOUNTING SIDE)  
参考基板厚 t=1.2~1.6  
REFERANCE PCB THICKNESS t=1.2~1.6

|   |         |  |  |         |        |                 |          |          |              |
|---|---------|--|--|---------|--------|-----------------|----------|----------|--------------|
| THIS DRAWING CONTAINS INFORMATION THAT IS PROPRIETARY TO MOLEX ELECTRONIC TECHNOLOGIES, LLC AND SHOULD NOT BE USED WITHOUT WRITTEN PERMISSION |         |  |  |         |        |                 |          |          |              |
| DIMENSION UNITS   | SCALE   | CURRENT REV DESC: REVISED  |  |         |        |                 |          |          |              |
| mm  | NTS     |  |  |         |        |                 |          |          |              |
| GENERAL TOLERANCES (UNLESS SPECIFIED)   |         |  |  |         |        |                 |          |          |              |
| ANGULAR TOL   | ± 3.0 ° | IGRID 2.0 WIRE TO BOARD<br>RIGHT ANGLE TH PLUG ASSEMBLY GOLD PLATING |  |         |        |                 |          |          |              |
| 4 PLACES  | ± 0.2   | PRODUCT CUSTOMER DRAWING   |  |         |        |                 |          |          |              |
| 3 PLACES  | ± 0.2   | DOCUMENT NUMBER  |  |         |        |                 |          |          |              |
| 2 PLACES  | ± 0.2   | 2086590000-SD  |  |         |        |                 |          |          |              |
| 1 PLACE   | ± 0.2   | DOC TYPE   |  |         |        |                 |          |          |              |
| 0 PLACES  | ± 0.2   | PSD  |  |         |        |                 |          |          |              |
| DRAFT WHERE APPLICABLE MUST REMAIN WITHIN DIMENSIONS  |         | THIRD ANGLE PROJECTION   |  | DRAWING | SERIES | MATERIAL NUMBER | CUSTOMER | DOC PART | REVISION     |
|   |         |  |  | A3-SIZE | 208659 | SEE CHART       | GENERAL  | 000      | B            |
|   |         |  |  |         |        |                 |          |          | SHEET NUMBER |
|   |         |  |  |         |        |                 |          |          | 2 OF 4       |

△<sub>3</sub> 適用製品及び各種仕様書  
 APPLICABLE PRODUCTS AND VARIOUS SPECIFICATIONS

|                                  |             |                       |
|----------------------------------|-------------|-----------------------|
| 梱包仕様書<br>PACKAGING SPECIFICATION | PART NUMBER | DOCUMENT NUMBER       |
|                                  | 208659 **** | 2086599200-SPK PS 200 |

|  |                      |                         |
|--|----------------------|-------------------------|
| 適用嵌合相手<br>MATE WITH                      | HOUSING              | TERMINAL (GOLD PLATING) |
|  |                      | #22-28                  |
| シリーズ番号<br>SERIES NUMBER                  | 501646 SERIES        | 503095 SERIES           |
| 製品仕様書<br>PRODUCT SPECIFICATION           | 5016460000-PS PS 000 |                         |
| アプリケーション仕様書<br>APPLICATION SPECIFICATION | 5016460000 PS A00    |                         |

|   |          |  |                    |                  |                              |  |                        |  |  |                 |          |          |          |               |     |     |   |
|---|----------|--|--------------------|------------------|------------------------------|--|------------------------|--|--|-----------------|----------|----------|----------|---------------|-----|-----|---|
| THIS DRAWING CONTAINS INFORMATION THAT IS PROPRIETARY TO MOLEX ELECTRONIC TECHNOLOGIES, LLC AND SHOULD NOT BE USED WITHOUT WRITTEN PERMISSION |          |  |                    |                  |                              |  |                        |  |  |                 |          |          |          |               |     |     |   |
| DIMENSION UNITS   | SCALE    | CURRENT REV DESC: REVISED  |                    |                  |                              | molex  |                        |  |  |                 |          |          |          |               |     |     |   |
| mm  | NTS      |  |                    |                  |                              | IGRID 2.0 WIRE TO BOARD<br>RIGHT ANGLE TH PLUG ASSEMBLY GOLD PLATING   |                        |  |  |                 |          |          |          |               |     |     |   |
| GENERAL TOLERANCES<br>(UNLESS SPECIFIED)  |          | EC NO: 721018<br>DRWN: HHUSSIN 2022/09/06<br>CHK'D: SAKIYAMA 2022/11/21<br>APPR: AIDA 2022/11/21<br>INITIAL REVISION:<br>DRWN: SNAKAMURA08 2019/10/08<br>APPR: KOMURAKAMI 2020/03/18 |                    |                  |                              | PRODUCT CUSTOMER DRAWING   |                        |  |  |                 |          |          |          |               |     |     |   |
| ANGULAR TOL   | ± 3.0 °  |  |                    |                  |                              | <table border="1" style="width: 100%; border-collapse: collapse; font-size: 8px;"> <tr> <td style="width: 30%;">DOCUMENT NUMBER</td> <td style="width: 30%;">DOC TYPE</td> <td style="width: 10%;">DOC PART</td> <td style="width: 10%;">REVISION</td> </tr> <tr> <td style="text-align: center;">2086590000-SD</td> <td style="text-align: center;">PSD</td> <td style="text-align: center;">000</td> <td style="text-align: center;">B</td> </tr> </table> |                        |  |  | DOCUMENT NUMBER | DOC TYPE | DOC PART | REVISION | 2086590000-SD | PSD | 000 | B |
| DOCUMENT NUMBER   | DOC TYPE |  |                    |                  |                              |  |                        |  |  | DOC PART        | REVISION |          |          |               |     |     |   |
| 2086590000-SD   | PSD      |  |                    |                  |                              |  |                        |  |  | 000             | B        |          |          |               |     |     |   |
| 4 PLACES  | ± 0.2    |  |                    |                  |                              |  |                        |  |  |                 |          |          |          |               |     |     |   |
| 3 PLACES  | ± 0.2    |  |                    |                  |                              |  |                        |  |  |                 |          |          |          |               |     |     |   |
| 2 PLACES  | ± 0.2    |  |                    |                  |                              |  |                        |  |  |                 |          |          |          |               |     |     |   |
| 1 PLACE   | ± 0.2    |  |                    |                  |                              |  |                        |  |  |                 |          |          |          |               |     |     |   |
| 0 PLACES  | ± 0.2    |  |                    |                  |                              |  |                        |  |  |                 |          |          |          |               |     |     |   |
| DRAFT WHERE APPLICABLE<br>MUST REMAIN<br>WITHIN DIMENSIONS  |          | THIRD ANGLE PROJECTION<br>   | DRAWING<br>A3-SIZE | SERIES<br>208659 | MATERIAL NUMBER<br>SEE CHART | CUSTOMER<br>GENERAL  | SHEET NUMBER<br>3 OF 4 |  |  |                 |          |          |          |               |     |     |   |

製品形状  
PRODUCT SHAPE

10, 12 極  
10, 12 CIRCUIT



14 - 40 極  
14 - 40 CIRCUIT



製品一覧 PRODUCT LIST

| 0.76 micro-meters MIN  |                                | 0.38 micro-meters MIN |                                | 0.1 micro-meters MIN |                                | 接点部金めっき厚<br>GOLD PLATING<br>THICKNESS<br>ON CONTACT AREA |
|------------------------|--------------------------------|-----------------------|--------------------------------|----------------------|--------------------------------|--|
| 黒 : BLACK              | ナチュラル : NATURAL<br>(白 : WHITE) | 黒 : BLACK             | ナチュラル : NATURAL<br>(白 : WHITE) | 黒 : BLACK            | ナチュラル : NATURAL<br>(白 : WHITE) | HOUSING COLOR  |
| 208659 4071            | 208659 4070                    | 208659 4061           | 208659 4060                    | 208659 4041          | 208659 4040                    | 40   |
| ↑ 3871                 | ↑ 3870                         | ↑ 3861                | ↑ 3860                         | ↑ 3841               | ↑ 3840                         | 38   |
|                        | 3671                           |                       | 3661                           |                      | 3641                           | 36   |
|                        | 3471                           |                       | 3461                           |                      | 3441                           | 34   |
|                        | 3271                           |                       | 3261                           |                      | 3241                           | 32   |
|                        | 3071                           |                       | 3061                           |                      | 3041                           | 30   |
|                        | 2871                           |                       | 2861                           |                      | 2841                           | 28   |
|                        | 2671                           |                       | 2661                           |                      | 2641                           | 26   |
|                        | 2471                           |                       | 2461                           |                      | 2441                           | 24   |
|                        | 2271                           |                       | 2261                           |                      | 2241                           | 22   |
|                        | 2071                           |                       | 2061                           |                      | 2041                           | 20   |
|                        | 1871                           |                       | 1861                           |                      | 1841                           | 18   |
|                        | 1671                           |                       | 1661                           |                      | 1641                           | 16   |
|                        | 1471                           |                       | 1461                           |                      | 1441                           | 14   |
| ↓ 1271                 | ↓ 1270                         | ↓ 1261                | ↓ 1260                         | ↓ 1241               | ↓ 1240                         | 12   |
| 208659 1071            | 208659 1070                    | 208659 1061           | 208659 1060                    | 208659 1041          | 208659 1040                    | 10   |
| 発注番号 ORDER No.         |                                |                       |                                |                      |                                | 極数   |
| PACKAGING STYLE : TRAY |                                |                       |                                |                      |                                | CIRCUIT SIZE   |

|   |       |                              |                        |  |  |
|---|-------|------------------------------|------------------------|--|--|
| THIS DRAWING CONTAINS INFORMATION THAT IS PROPRIETARY TO MOLEX ELECTRONIC TECHNOLOGIES, LLC AND SHOULD NOT BE USED WITHOUT WRITTEN PERMISSION |       | CURRENT REV DESC: REVISED    |                        | <b>molex</b>   |  |
| DIMENSION UNITS   | SCALE | EC NO: 721018                |                        |  |  |
| mm  | NTS   | DRWN: HHUSSIN 2022/09/06     |                        | IGRID 2.0 WIRE TO BOARD<br>RIGHT ANGLE TH PLUG ASSEMBLY GOLD PLATING |  |
| GENERAL TOLERANCES<br>(UNLESS SPECIFIED)  |       | CHK'D: SAKIYAMA 2022/11/21   |                        |  |  |
| ANGULAR TOL ± 3.0°  |       | APPR: AIDA 2022/11/21        |                        | PRODUCT CUSTOMER DRAWING   |  |
| 4 PLACES ± 0.2  |       | INITIAL REVISION:            |                        |  |  |
| 3 PLACES ± 0.2  |       | DRWN: SNAKAMURA08 2019/10/08 |                        | DOCUMENT NUMBER<br><b>2086590000-SD</b>                              |  |
| 2 PLACES ± 0.2  |       | APPR: KOMURAKAMI 2020/03/18  |                        |  |  |
| 1 PLACE ± 0.2   |       | SERIES<br><b>208659</b>      |                        | DOC TYPE DOC PART REVISION<br>PSD 000 B                              |  |
| 0 PLACES ± 0.2  |       | MATERIAL NUMBER<br>SEE CHART |                        |  |  |
| DRAFT WHERE APPLICABLE<br>MUST REMAIN<br>WITHIN DIMENSIONS  |       | THIRD ANGLE PROJECTION       | DRAWING<br>A3-SIZE     | CUSTOMER<br>GENERAL  |  |
|   |       |                              | SHEET NUMBER<br>4 OF 4 |  |  |