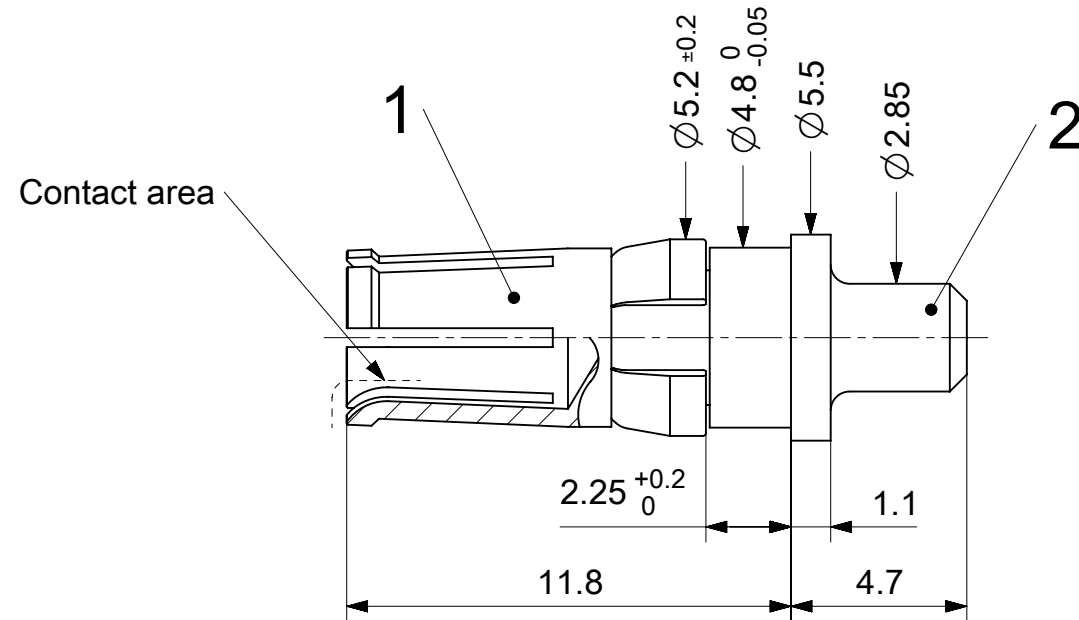


2:1



RoHS compliant  
by exemption

1731120084	FMP010S104	104
1731120626	FMP010S105	105
1731120157	FMP010S203	203
Material Number	FCT Part Number	Material + Finish See extra sheet

UNLESS OTHERWISE SPECIFIED DIMENSIONS FOR REFERENCE ONLY				REPLACEMENT FOR DOCUMENT NUMBER: FMP010S								
THIS DRAWING CONTAINS INFORMATION THAT IS PROPRIETARY TO MOLEX ELECTRONIC TECHNOLOGIES, LLC AND SHOULD NOT BE USED WITHOUT WRITTEN PERMISSION												
FUNCTIONAL SYMBOLS	DIMENSION UNITS	SCALE	CURRENT REV DESC:									
$\frac{F}{A} = 0$	mm	5:1	EC NO: 686935 DRWN: FVETTER 2021/11/29 CHK'D: MTEUBEL 2021/11/30 APPR: MTEUBEL 2021/11/30									
$\frac{F}{E} = 0$	GENERAL TOLERANCES (UNLESS SPECIFIED)											
$\frac{F}{P} = 0$	ANGULAR TOL $\pm$ °											
DIVISIONAL SYMBOLS	4 PLACES	$\pm$										
	3 PLACES	$\pm$	INITIAL REVISION:									
	2 PLACES	$\pm$	DRWN: VLOKESHA 2021/03/31									
	1 PLACE	$\pm$	APPR: MTEUBEL 2021/11/25									
	0 PLACES	$\pm$	DRAFT WHERE APPLICABLE MUST REMAIN WITHIN DIMENSIONS		FIRST ANGLE PROJECTION	DRAWING	SERIES	MATERIAL NUMBER	CUSTOMER	DOC TYPE	DOC PART	REVISION
						A4-SIZE	173112	SEE TABLE	GENERAL MARKET	PSD	000	A1

**molex**

FCT 20A HIGH POWER CONTACT FOR D-SUB

PRODUCT CUSTOMER DRAWING

DOCUMENT NUMBER: 1731120084

DOC TYPE: PSD

DOC PART: 000

REVISION: A1

DOCUMENT STATUS	P1	RELEASE DATE	2021/11/30	09:45:09
-----------------	----	--------------	------------	----------