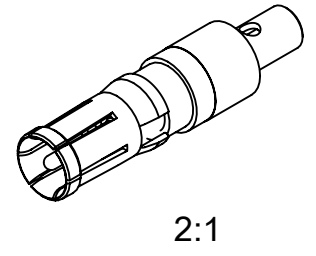
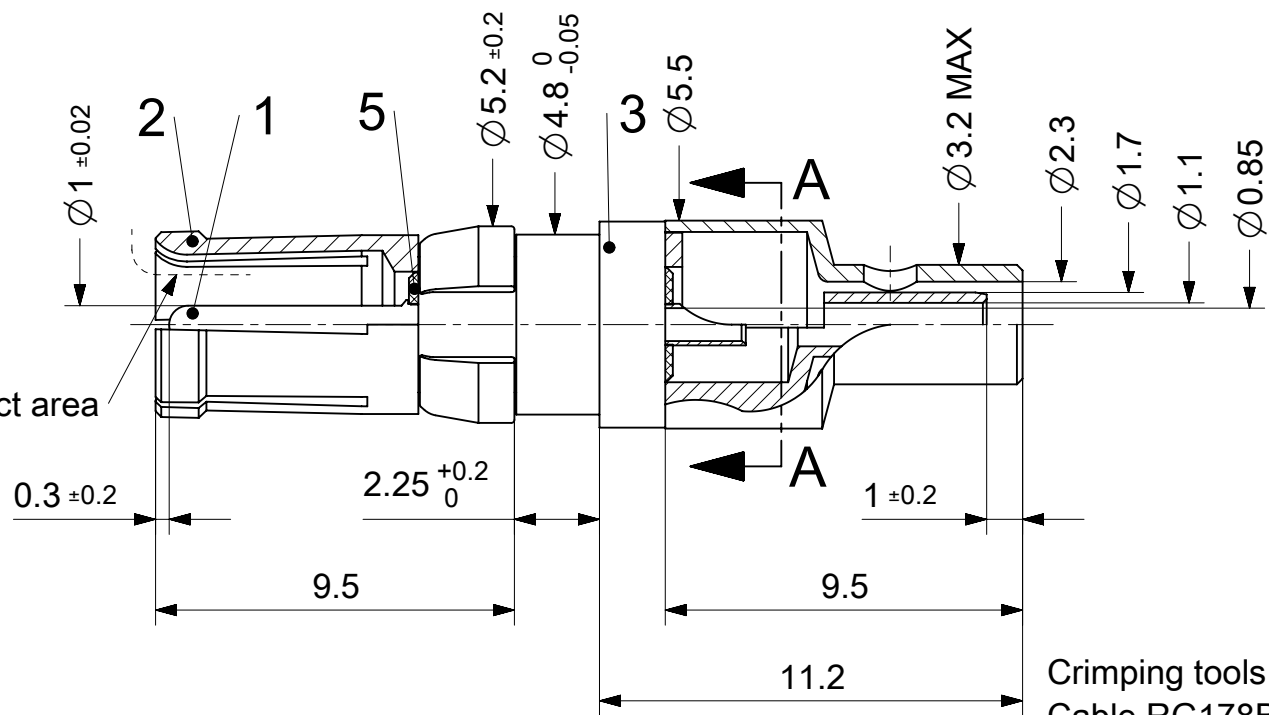


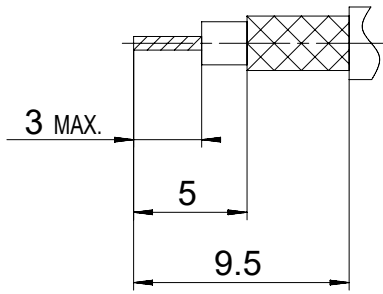
Solderpot position
A-A



RoHS compliant
by exemption

Crimping tools see document 2195600660
Cable RG178BU, RG196AU, RG404U

Cable trimming dimensions



1731120679	FMX005S101	101
1731120047	FMX005S102	102
1731140203	FMX005S128	128
1731121087	FMX005S202	202
Material Number	FCT Part Number	Material + Finish See extra sheet

UNLESS OTHERWISE SPECIFIED DIMENSIONS FOR REFERENCE ONLY				REPLACEMENT FOR DOCUMENT NUMBER: FMX005S								
THIS DRAWING CONTAINS INFORMATION THAT IS PROPRIETARY TO MOLEX ELECTRONIC TECHNOLOGIES, LLC AND SHOULD NOT BE USED WITHOUT WRITTEN PERMISSION												
FUNCTIONAL SYMBOLS	DIMENSION UNITS	SCALE	CURRENT REV DESC:									
$\frac{F}{A} = 0$	mm	5:1	EC NO: 710219									
$\frac{F}{E} = 0$	GENERAL TOLERANCES (UNLESS SPECIFIED)		DRWN: VLOKESHA 2021/04/23									
$\frac{F}{P} = 0$	ANGULAR TOL ± °		CHK'D: MTEUBEL 2022/06/22									
DIVISIONAL SYMBOLS	4 PLACES	±	APPR: MTEUBEL 2022/06/22									
	3 PLACES	±	INITIAL REVISION:									
	2 PLACES	±	DRWN: VLOKESHA 2021/04/23									
	1 PLACE	±	APPR: MTEUBEL 2022/06/22									
	0 PLACES	±	DRAFT WHERE APPLICABLE MUST REMAIN WITHIN DIMENSIONS		FIRST ANGLE PROJECTION	DRAWING	SERIES	MATERIAL NUMBER	CUSTOMER	DOC TYPE	DOC PART	REVISION
						A4-SIZE	173112	SEE TABLE	GENERAL MARKET	PSD	000	A
								1731120679				