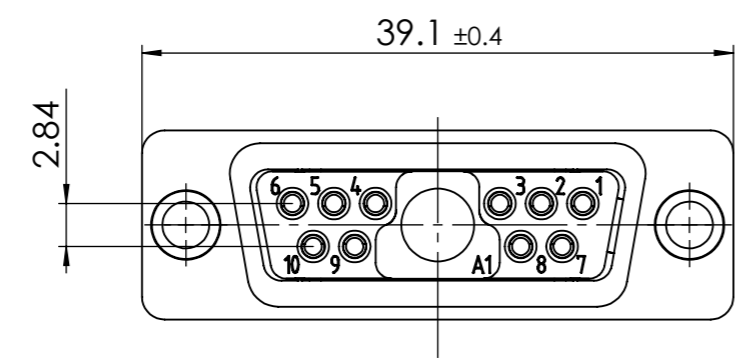
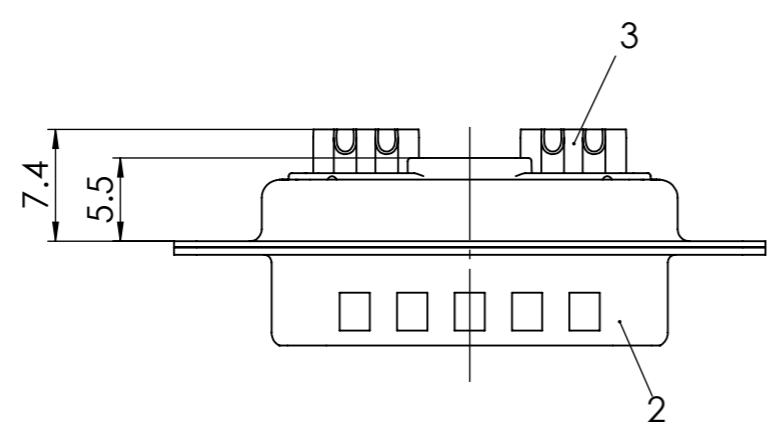
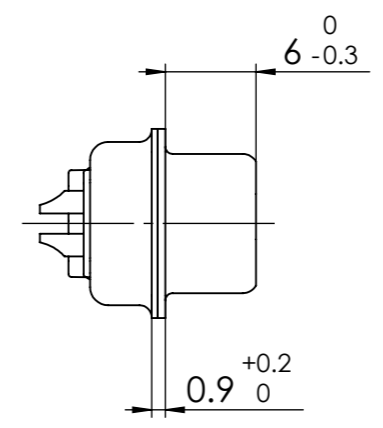
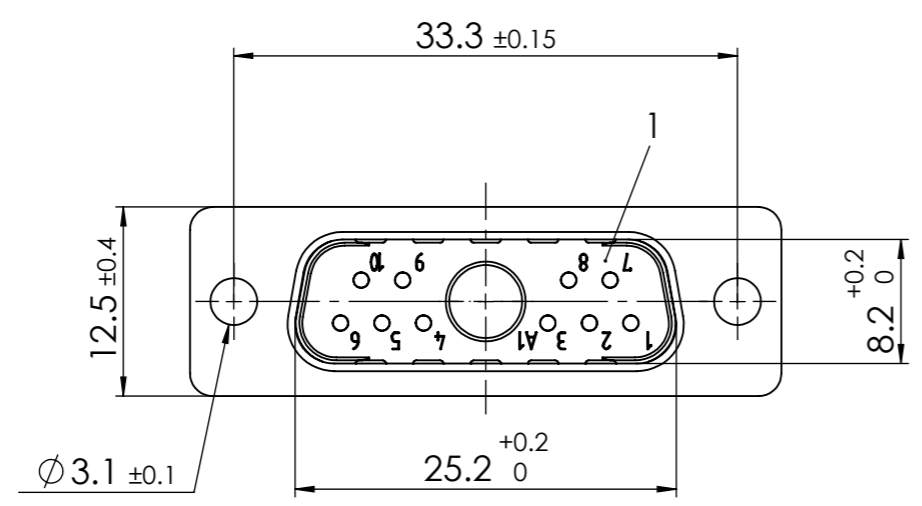


RoHS compliant
by exemption



3	10	Signal contact	P0 / Brass	AuroPur / AWG 20
2	1	Shell	Steel	tin plated
1	1	Insulator	PBT (-55°C to +130°C) acc. UL94V-0	green
No.	St.	Part	Type Description/Material	Surface plating/Colour/Class

FUNCTIONAL SYMBOLS ▽ = 0 ▽ = 0 ▽ = 0					THIS DRAWING CONTAINS INFORMATION THAT IS PROPRIETARY TO MOLEX ELECTRONIC TECHNOLOGIES, LLC AND SHOULD NOT BE USED WITHOUT WRITTEN PERMISSION				
DIMENSION UNITS		SCALE		MEASUREMENTS WITHOUT TOLERANCE ACC. TO					
mm		2:1		ISO 2768-m					
CURRENT REVISION					PRODUCT CUSTOMER DRAWING				
DRWN: DRAWN BY		msteinbrueck		03-08-2023		MATERIAL NUMBER 1727040011			REVISION 2
APPR: APPR BY		mteubel		08-08-2023					
INITIAL REVISION									
DRWN: DRAWN BY		sschref		09-04-2014					
APPR: APPR BY		sschref		09-04-2014					
REPLACEMENT FOR:		FRIST ANGLE PROJECTION		DRAWING		DOCUMENT NUMBER		CUSTOMER	SHEET NUMBER
1727040011_Rev. A				A3-SIZE		FM11W1PA-K120		GENERAL MARKET	1 OF 1

COMMENT:
ALL RIGHTS ARE RESERVED BY US FOR THIS DRAWING. WITHOUT OUR PRIOR CONSENT, IT MAY NEITHER BE DUPLICATED NOR MADE AVAILABLE TO A THIRD PARTY. AND IT ALSO MAY NOT BE IMPROPERLY USED BY THE RECEIVER, OR A THIRD PARTY.