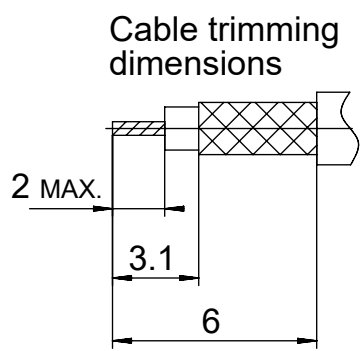


RoHS compliant  
by exemption

Crimping tools see document 2195600660  
Cable RG179BU, RG187AU

1731120931	FMX002P101	101
1731120170	FMX002P102	102
1731121062	FMX002P202	202
Material Number	FCT Part Number	Material + Finish See extra sheet



UNLESS OTHERWISE SPECIFIED DIMENSIONS FOR REFERENCE ONLY				REPLACEMENT FOR DOCUMENT NUMBER: FMX002P								
THIS DRAWING CONTAINS INFORMATION THAT IS PROPRIETARY TO MOLEX ELECTRONIC TECHNOLOGIES, LLC AND SHOULD NOT BE USED WITHOUT WRITTEN PERMISSION												
FUNCTIONAL SYMBOLS	DIMENSION UNITS	SCALE	CURRENT REV DESC:									
$\frac{E}{A} = 0$	mm	5:1	EC NO: 710219									
$\frac{E}{E} = 0$	GENERAL TOLERANCES (UNLESS SPECIFIED)		DRWN: VLOKESHA 2021/04/22									
$\frac{E}{P} = 0$	ANGULAR TOL ± °		CHK'D: MTEUBEL 2022/06/22									
DIVISIONAL SYMBOLS	4 PLACES	±	APPR: MTEUBEL 2022/06/22									
	3 PLACES	±	INITIAL REVISION:									
	2 PLACES	±	DRWN: VLOKESHA 2021/04/22									
	1 PLACE	±	APPR: MTEUBEL 2022/06/22									
	0 PLACES	±	DRAFT WHERE APPLICABLE MUST REMAIN WITHIN DIMENSIONS		FIRST ANGLE PROJECTION	DRAWING	SERIES	MATERIAL NUMBER	CUSTOMER	DOC TYPE	DOC PART	REVISION
						A4-SIZE	173112	SEE TABLE	GENERAL MARKET	PSD	000	A

**molex**

FCT 75 OHM COAXIAL CONTACT FOR D-SUB

PRODUCT CUSTOMER DRAWING

DOCUMENT NUMBER: 1731120931

DOC TYPE: PSD

DOC PART: 000

REVISION: A