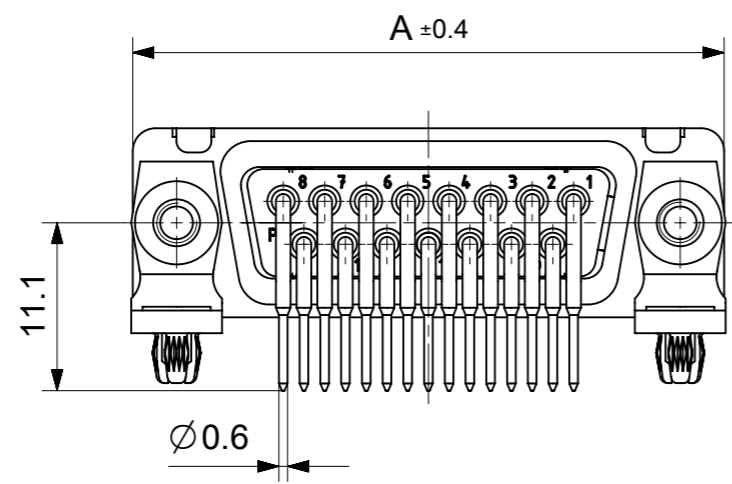
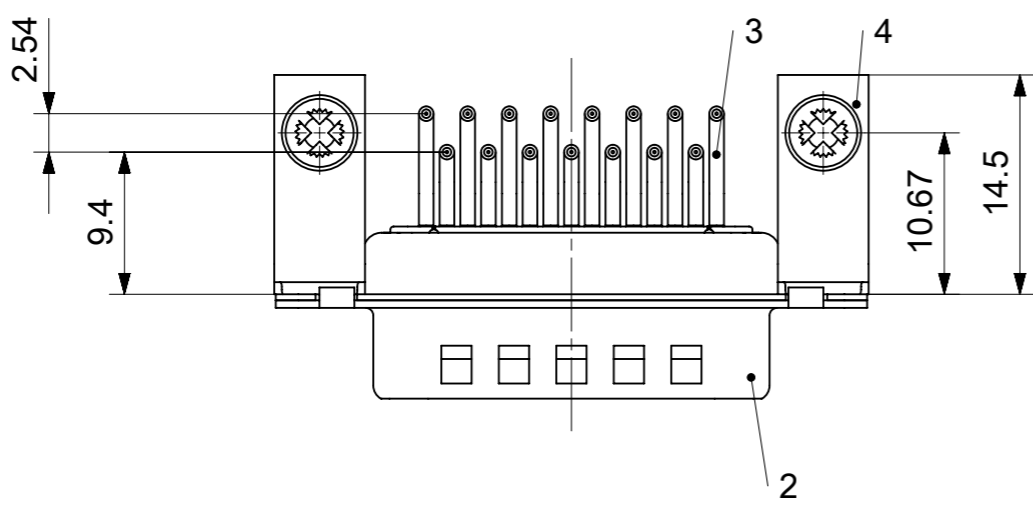
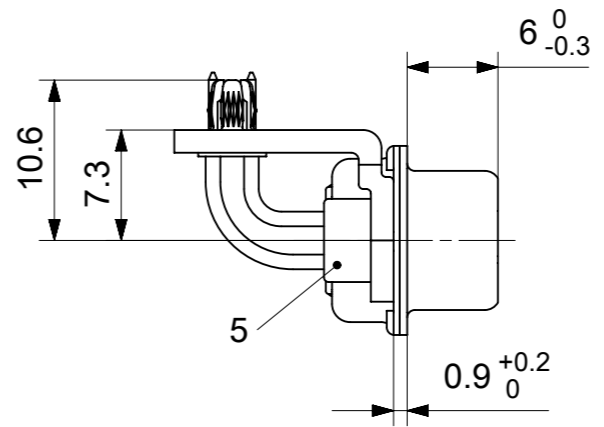
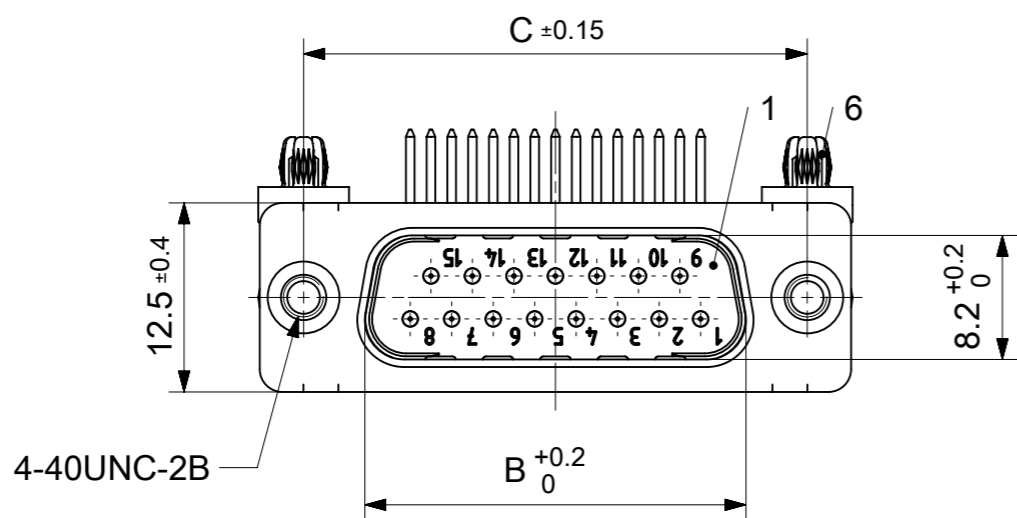


RoHS compliant
by exemption



FCT Part number:
Fxx*1)P5G1A-1002
e.g. F15P5G1A-1002

*1) xx No. of contacts 09, 15, 25 or 37

Material Number	xx*1)	A [mm]	B [mm]	C [mm]	*E [mm]	*F [mm]	*G [mm]	*H [mm]	*J [mm]
1731091895	09	30.8	16.9	25	Ø1	Ø3	10.67	9.4	2.54
1731091899	15	39.1	25.2	33.3					
1731091905	25	53	38.9	47.04					
1731091911	37	69.3	55.3	63.5					

*PCB hole patterns ØE, ØF, G, H, J see document 2195600024

No.	Pc.	Part	Type Description/Material	Surface plating/Color/Class
6	2	Snap-in rivet	PCB 1.6mm / Brass	tin plated
5	2	Clinch nut	MW 4-40 / Steel	tin plated
4	2	Bracket	F1080-13B / Steel	tin plated
3	xx	Signal contact	P5 / Brass	AuroPur
2	1	Shell	Steel	tin plated
1	1	Insulator	PBT (-55°C to +125°C) acc. UL94V-0	white

MEASUREMENTS WITHOUT TOLERANCE ACC TO ISO 2768-m

REPLACEMENT FOR DOCUMENT NUMBER: FxxP5G1A-1002

FUNCTIONAL SYMBOLS: THIS DRAWING CONTAINS INFORMATION THAT IS PROPRIETARY TO MOLEX ELECTRONIC TECHNOLOGIES, LLC AND SHOULD NOT BE USED WITHOUT WRITTEN PERMISSION

SCALE: 2:1

GENERAL TOLERANCES (UNLESS SPECIFIED):

ANGULAR TOL ± °

4 PLACES ±

3 PLACES ±

2 PLACES ±

1 PLACE ±

0 PLACES ±

DIVISIONAL SYMBOLS: DRAFT WHERE APPLICABLE MUST REMAIN WITHIN DIMENSIONS

FIRST ANGLE PROJECTION

DRAWING: A3-SIZE

SERIES: 173109

MATERIAL NUMBER: SEE TABLE

CUSTOMER: GENERAL MARKET

SHEET NUMBER: 1 OF 1

EC NO: 714712

DRWN: SKANDB 2022/02/07

CHK'D: MTEUBEL 2022/07/22

APPR: MTEUBEL 2022/07/22

INITIAL REVISION: DRWN: SKANDB 2022/02/07, APPR: MTEUBEL 2022/07/22

DOCUMENT NUMBER: 1731091895

DOC TYPE: PSD

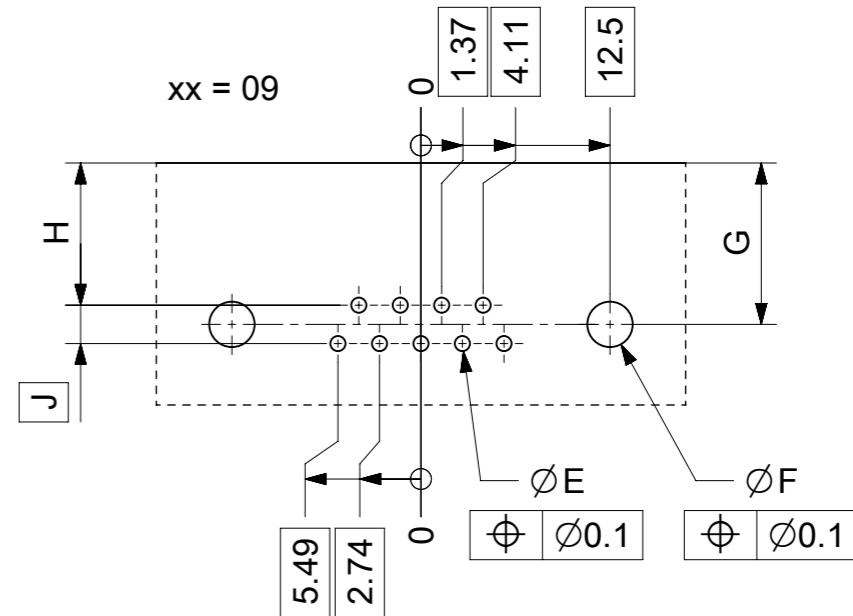
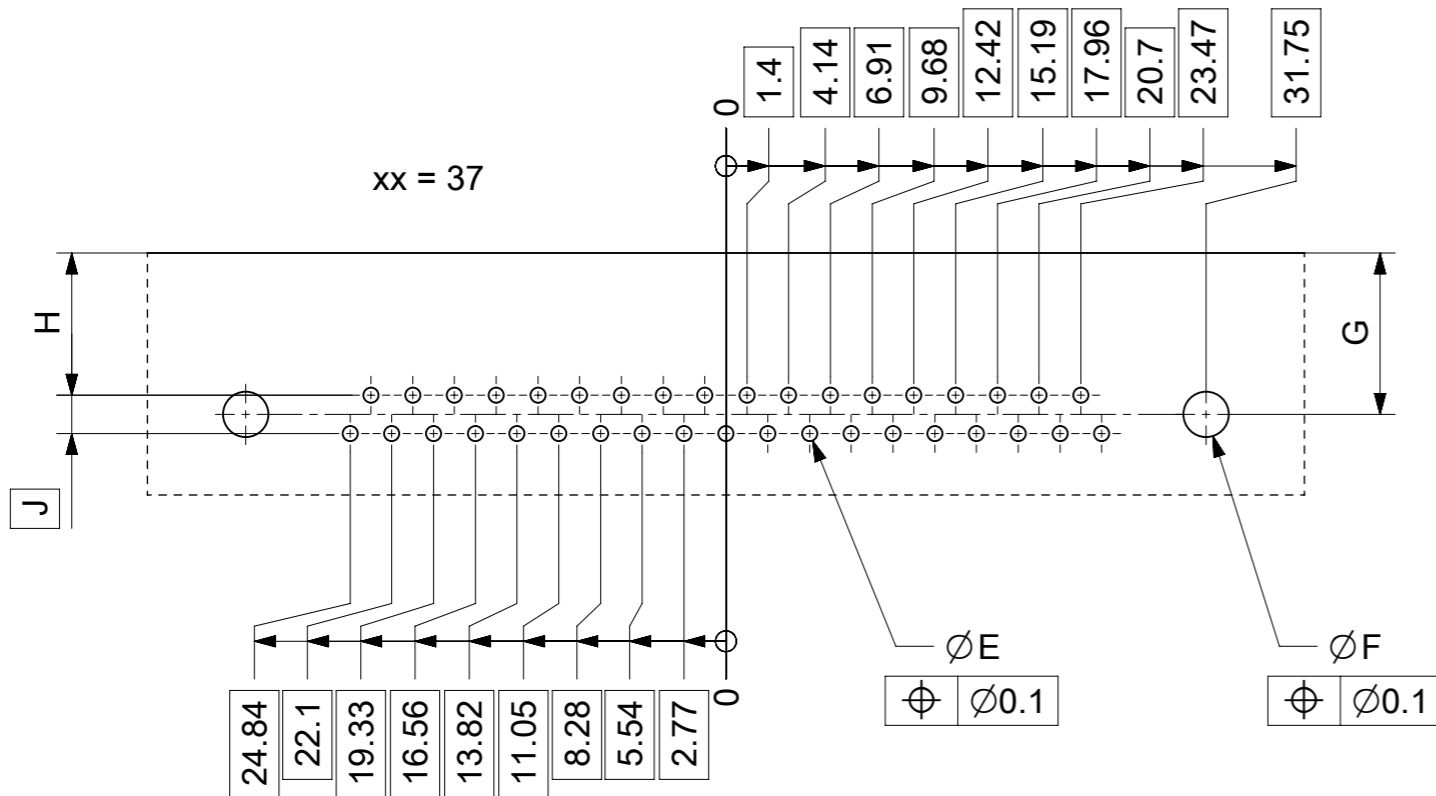
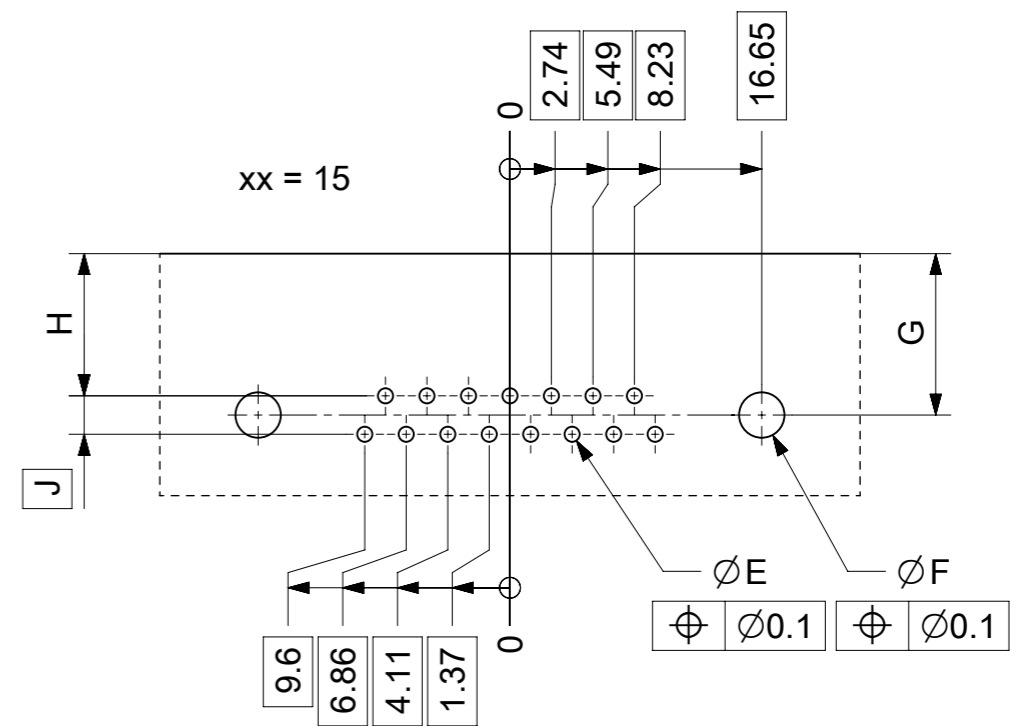
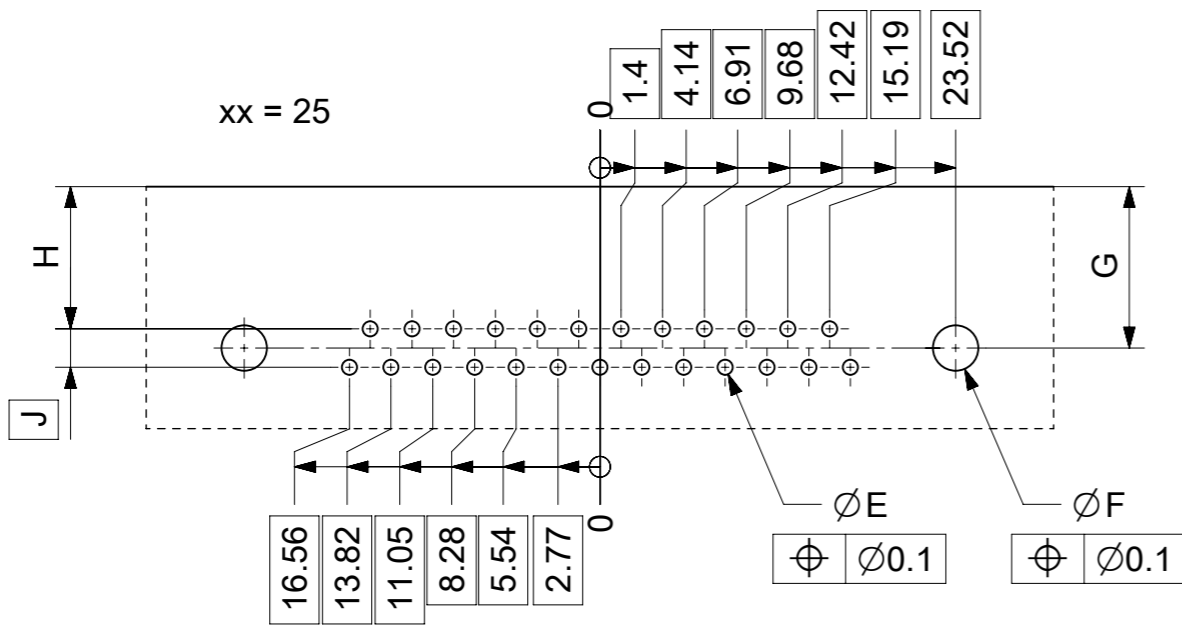
DOC PART: 000

REVISION: A

molex

FCT D-SUB MINIATURE CONNECTOR

PRODUCT CUSTOMER DRAWING



øE, øF, G, H, J see data sheet incl. connector
 øF, G connectors with accessories only

MEASUREMENTS WITHOUT TOLERANCE ACC TO ISO 2768-m				REPLACEMENT FOR DOCUMENT NUMBER: AM0024			
THIS DRAWING CONTAINS INFORMATION THAT IS PROPRIETARY TO MOLEX ELECTRONIC TECHNOLOGIES, LLC AND SHOULD NOT BE USED WITHOUT WRITTEN PERMISSION							
FUNCTIONAL SYMBOLS	DIMENSION UNITS	SCALE	CURRENT REV DESC:				
$\nabla_A = 0$	mm	2:1	EC NO: 713905 DRWN: SKANDB 2022/05/16 CHK'D: MTEUBEL 2022/07/12 APPR: MTEUBEL 2022/07/12 INITIAL REVISION: DRWN: SKANDB 2022/05/16 APPR: MTEUBEL 2022/07/12				
$\nabla_F = 0$	GENERAL TOLERANCES (UNLESS SPECIFIED)						
$\nabla_P = 0$	ANGULAR TOL ± °						
DIVISIONAL SYMBOLS	4 PLACES ±		PRODUCT CUSTOMER DRAWING				
	3 PLACES ±		DOCUMENT NUMBER		DOC TYPE	DOC PART	REVISION
	2 PLACES ±		2195600024		PSD	000	A
	1 PLACE ±		MATERIAL NUMBER		CUSTOMER		SHEET NUMBER
	0 PLACES ±		219560		GENERAL MARKET		1 OF 1
DRAFT WHERE APPLICABLE MUST REMAIN WITHIN DIMENSIONS		FIRST ANGLE PROJECTION	DRAWING	SERIES			
			A3-SIZE	219560			