

2:1

RoHS compliant  
by exemption

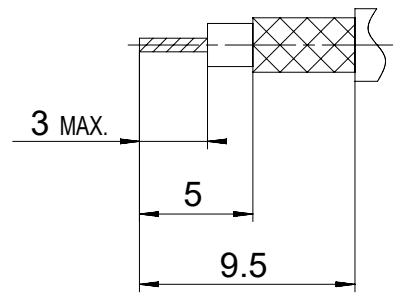
Cable RG178U, RG196AU, RG404U

1731120176	FMX031S102	102
1731140626	FMX031S128	128
Material Number	FCT Part Number	Material + Finish See extra sheet

Solderpot position  
A-A

**Crimping tools:**  
Crimping of outer conductor:  
  
Hand tool: 1731121732  
Die: 1731121735 cavity B  
  
Pneumatic crimp tool: HX23  
(replacement for PH4001)  
  
Extraction tool: 1731121747

Cable trimming dimensions



UNLESS OTHERWISE SPECIFIED DIMENSIONS FOR REFERENCE ONLY				REPLACEMENT FOR DOCUMENT NUMBER: FMX031S						
THIS DRAWING CONTAINS INFORMATION THAT IS PROPRIETARY TO MOLEX ELECTRONIC TECHNOLOGIES, LLC AND SHOULD NOT BE USED WITHOUT WRITTEN PERMISSION										
FUNCTIONAL SYMBOLS	DIMENSION UNITS	SCALE	CURRENT REV DESC:							
$\frac{E}{A} = 0$	mm	5:1	EC NO: 710219							
$\frac{E}{E} = 0$	GENERAL TOLERANCES (UNLESS SPECIFIED)		DRWN: VLOKESHA 2021/04/26							
$\frac{E}{P} = 0$	ANGULAR TOL ± °		CHK'D: MTEUBEL 2022/06/22							
DIVISIONAL SYMBOLS	4 PLACES ±		APPR: MTEUBEL 2022/06/22							
	3 PLACES ±		INITIAL REVISION:							
	2 PLACES ±		DRWN: VLOKESHA 2021/04/26							
	1 PLACE ±		APPR: MTEUBEL 2022/06/22							
	0 PLACES ±		DRAFT WHERE APPLICABLE MUST REMAIN WITHIN DIMENSIONS		FIRST ANGLE PROJECTION	DRAWING	SERIES	MATERIAL NUMBER	CUSTOMER	SHEET NUMBER
						A4-SIZE	173112	SEE TABLE	GENERAL MARKET	1 OF 1

**molex**

FCT 50 OHM COAXIAL CONTACT FOR D-SUB

PRODUCT CUSTOMER DRAWING

DOCUMENT NUMBER	DOC TYPE	DOC PART	REVISION
1731120176	PSD	000	A

DOCUMENT STATUS	P1	RELEASE DATE	2022/06/22	10:22:28
-----------------	----	--------------	------------	----------