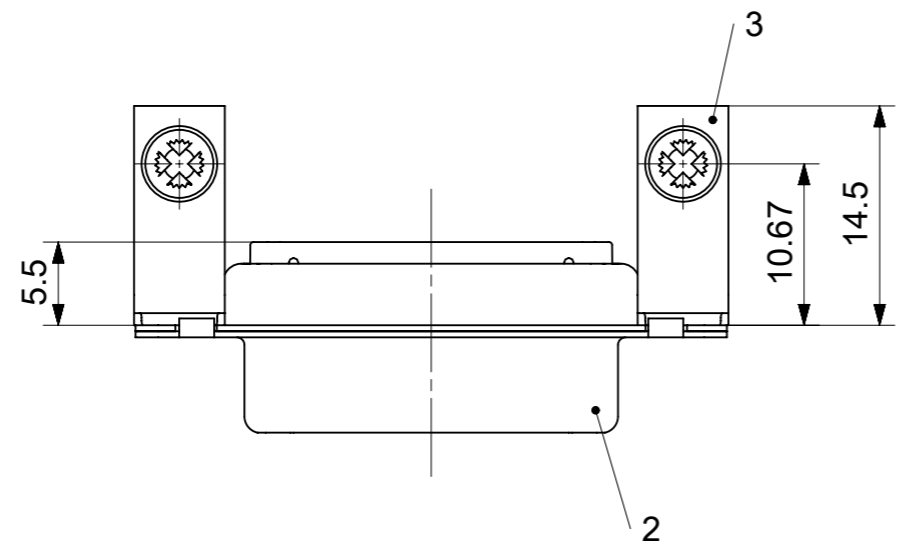
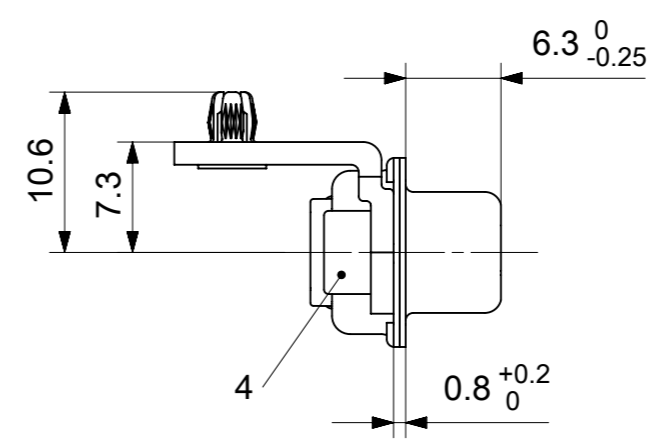
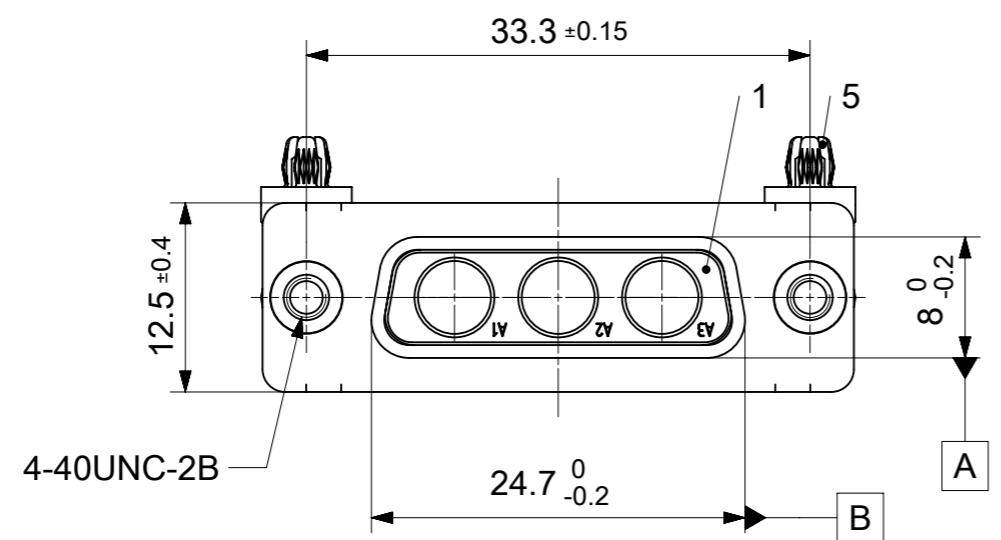
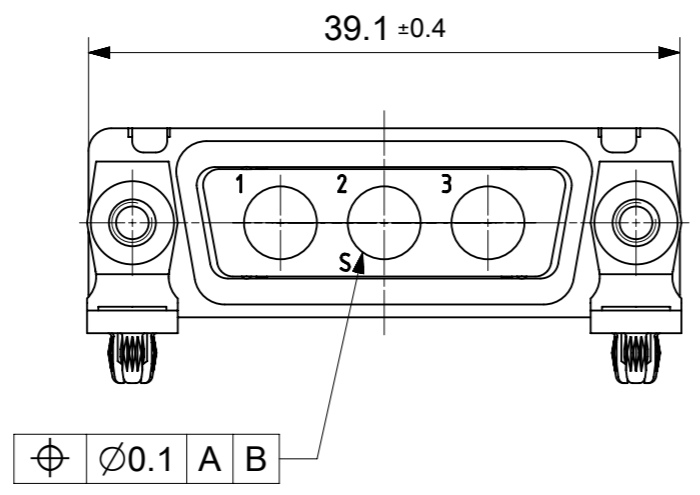
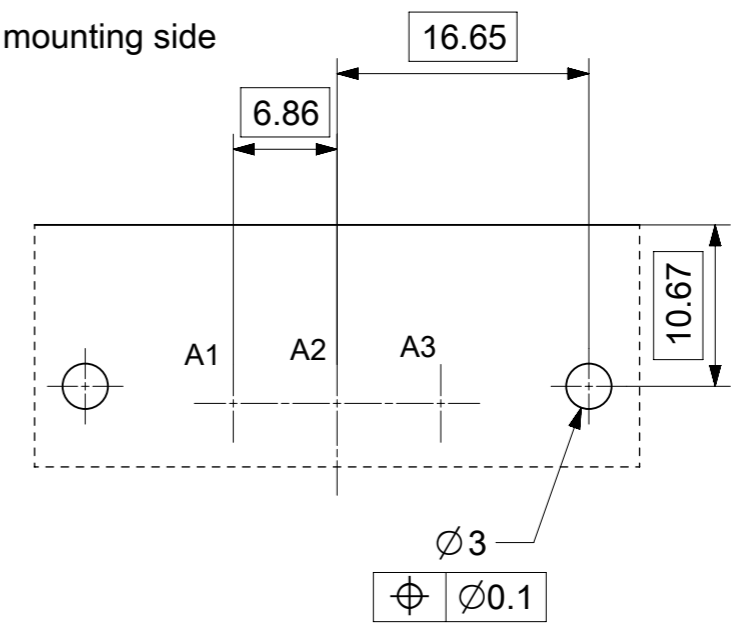


RoHS compliant
by exemption



PCB hole pattern, mounting side



5	2	Snap-in rivet	PCB 1.6mm / Brass	tin plated
4	2	Clinch nut	MW 4-40 / Steel	tin plated
3	2	Bracket	F1080-13B / Steel	tin plated
2	1	Shell	Steel	tin plated
1	1	Insulator	PBT (-55°C to +130°C) acc. UL94V-0	green
No.	Pc.	Part	Type Description/Material	Surface plating/ Color/Class

MEASUREMENTS WITHOUT TOLERANCE ACC TO ISO 2768-m

REPLACEMENT FOR DOCUMENT NUMBER: FM3W3S-1002

FUNCTIONAL SYMBOLS	THIS DRAWING CONTAINS INFORMATION THAT IS PROPRIETARY TO MOLEX ELECTRONIC TECHNOLOGIES, LLC AND SHOULD NOT BE USED WITHOUT WRITTEN PERMISSION	CURRENT REV DESC:		molex
$\nabla_A = 0$ $\nabla_F = 0$ $\nabla_V = 0$	DIMENSION UNITS: mm SCALE: 2:1 GENERAL TOLERANCES (UNLESS SPECIFIED) ANGULAR TOL ± °	EC NO: 727306 DRWN: MSTEINBRUECK 2022/11/07 CHK'D: MTEUBEL 2022/11/08 APPR: MTEUBEL 2022/11/08	FCT D-SUB MIXED-LAYOUT CONNECTOR FCT PART NUMBER: FM3W3S-1002	
DIVISIONAL SYMBOLS	4 PLACES ± 3 PLACES ± 2 PLACES ± 1 PLACE ± 0 PLACES ±	INITIAL REVISION: DRWN: SUGEEB 2022/05/17 APPR: MTEUBEL 2022/09/30	PRODUCT CUSTOMER DRAWING DOCUMENT NUMBER: 1731070617 DOC TYPE: PSD DOC PART: 000 REVISION: A1	
	DRAFT WHERE APPLICABLE MUST REMAIN WITHIN DIMENSIONS	FIRST ANGLE PROJECTION	DRAWING: A3-SIZE	SHEET NUMBER: 1 OF 1