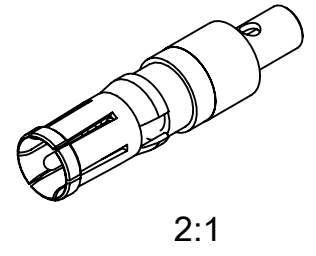
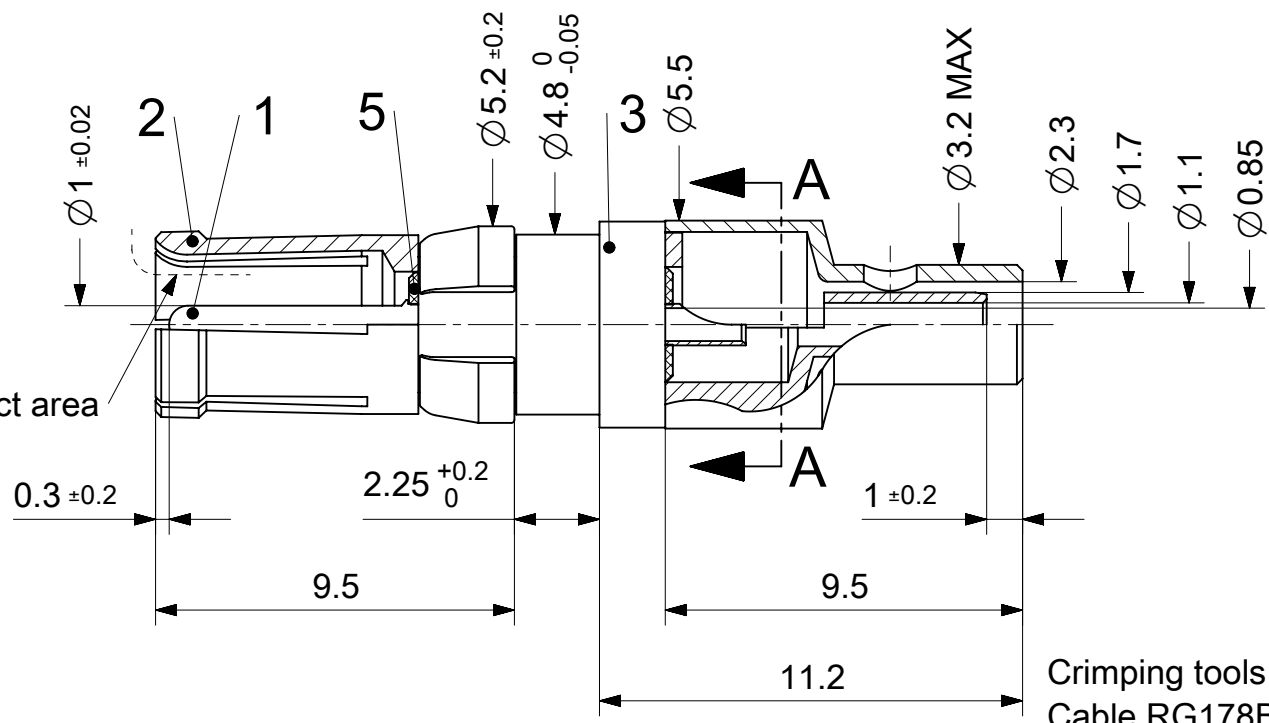


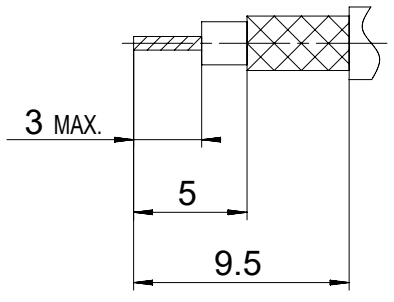
Solderpot position  
A-A



RoHS compliant  
by exemption

Crimping tools see document 2195600660  
Cable RG178BU, RG196AU, RG404U

Cable trimming dimensions



1731120679	FMX005S101	101
1731120047	FMX005S102	102
1731140203	FMX005S128	128
1731121087	FMX005S202	202
Material Number	FCT Part Number	Material + Finish See extra sheet

UNLESS OTHERWISE SPECIFIED DIMENSIONS FOR REFERENCE ONLY

REPLACEMENT FOR DOCUMENT NUMBER: FMX005S

FUNCTIONAL SYMBOLS	THIS DRAWING CONTAINS INFORMATION THAT IS PROPRIETARY TO MOLEX ELECTRONIC TECHNOLOGIES, LLC AND SHOULD NOT BE USED WITHOUT WRITTEN PERMISSION								
	DIMENSION UNITS	SCALE				CURRENT REV DESC:			
$\frac{F}{A} = 0$	mm	5:1	EC NO: 710219						
$\frac{F}{E} = 0$	GENERAL TOLERANCES (UNLESS SPECIFIED)		DRWN: VLOKESHA 2021/04/23						
$\frac{F}{P} = 0$	ANGULAR TOL ± °		CHK'D: MTEUBEL 2022/06/22						
DIVISIONAL SYMBOLS	4 PLACES	±	APPR: MTEUBEL 2022/06/22						
	3 PLACES	±	INITIAL REVISION:						
	2 PLACES	±	DRWN: VLOKESHA 2021/04/23						
	1 PLACE	±	APPR: MTEUBEL 2022/06/22						
	0 PLACES	±	DOCUMENT NUMBER						
DRAFT WHERE APPLICABLE MUST REMAIN WITHIN DIMENSIONS		FIRST ANGLE PROJECTION	DRAWING	SERIES	MATERIAL NUMBER	CUSTOMER	DOC TYPE	DOC PART	REVISION
			A4-SIZE	173112	1731120679	GENERAL MARKET	PSD	000	A
					SEE TABLE				SHEET NUMBER
									1 OF 1