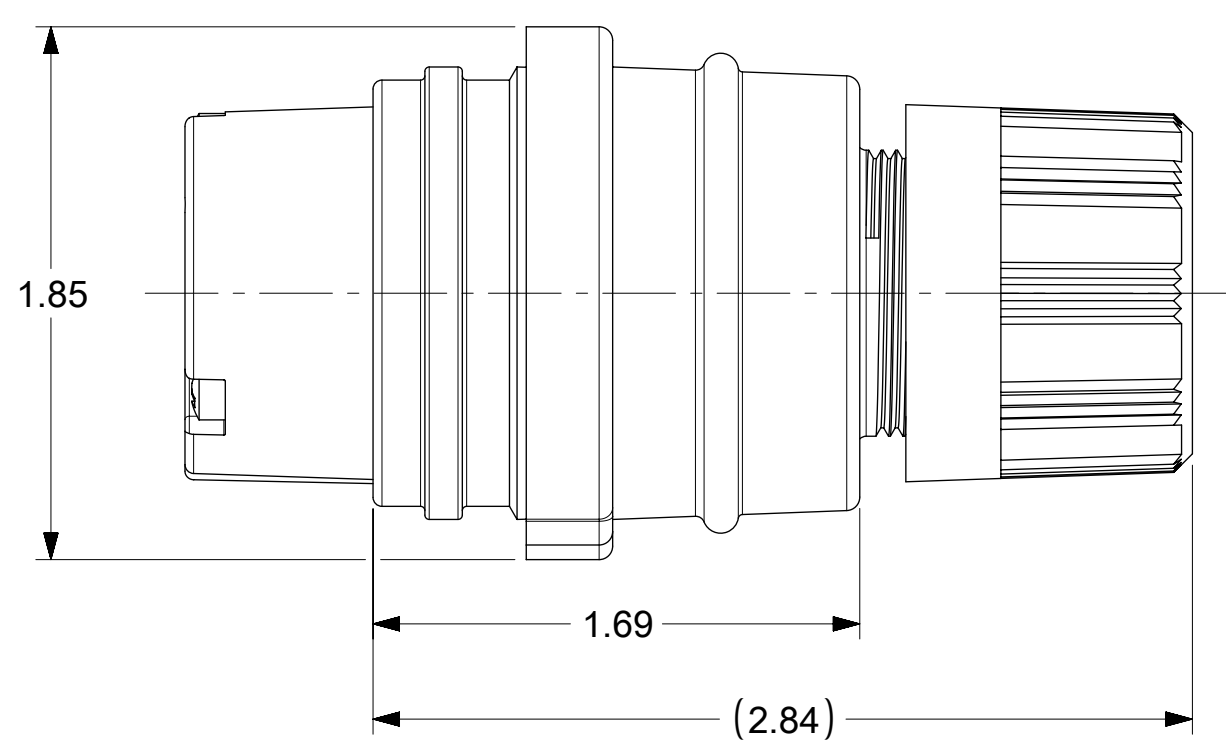
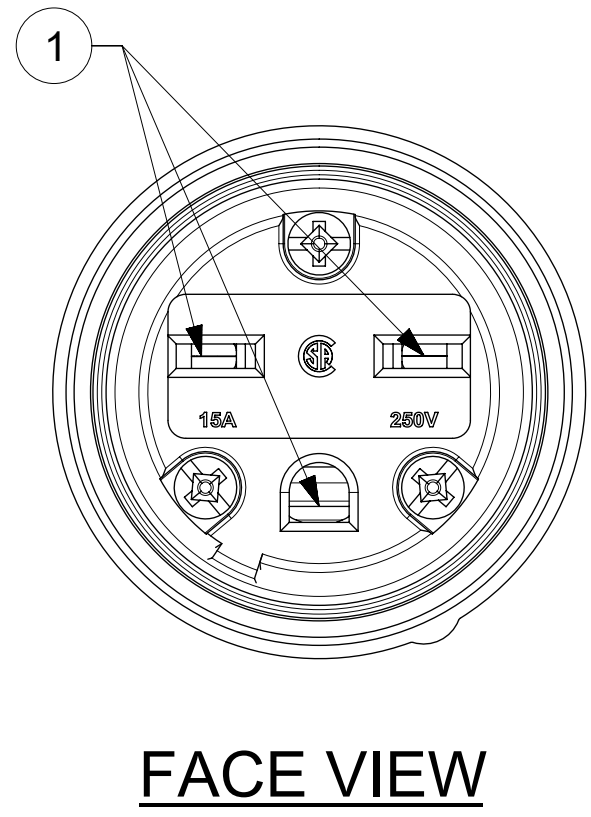
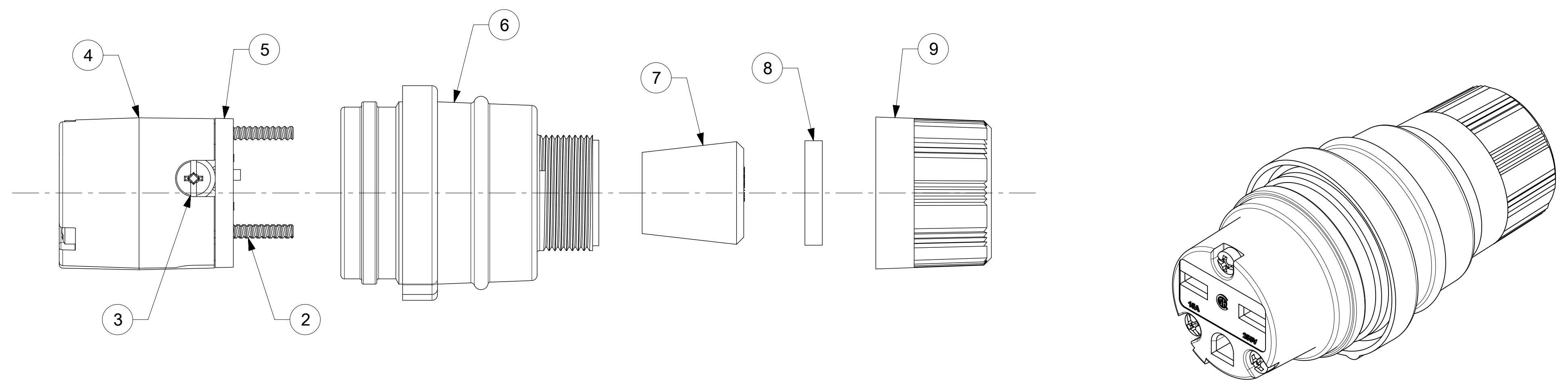


ORDER NO.	WOODHEAD NO.	COLOR
130146-0204	15W49MB-P	YELLOW



NOTES:
 1. SEE INSTRUCTION SHEET NUMBER 1301414770 FOR PRODUCT SPECIFICATION.
 2. CABLE RANGE FROM 0.375" TO 0.625"

ITEM NO.	DESCRIPTIONS	MATERIAL	QTY.
1	BLADES	BRASS	3
2	RETAINING SCREWS	STAINLESS STEEL	3
3	TERMINAL SCREWS	BRASS, ZINC PLATED	3
4	INSERT	NYLON	1
5	TERMINAL COVER	POLYCARBONATE	1
6	HOUSING	RUBBER WITH NYLON THREAD	1
7	GROMMETS	RUBBER	5
8	FRICTION RING	NYLON	1
9	COMPRESSION NUT	NYLON	1

SYMBOLS		THIS DRAWING CONTAINS INFORMATION THAT IS PROPRIETARY TO MOLEX ELECTRONIC TECHNOLOGIES, LLC AND SHOULD NOT BE USED WITHOUT WRITTEN PERMISSION		CURRENT REV DESC: RELEASED		molex		
▽ = 0	INCH	NTS	GENERAL TOLERANCES (UNLESS SPECIFIED)		EC NO: 613683			
▽ = 0	4 PLACES ±		ANGULAR TOL ± 0.5°		DRWN: ABABU01 2018/11/13		WATERTITE CONNECTOR, 6-15R	
▽ = 0	3 PLACES ± 0.005		DRAFT WHERE APPLICABLE MUST REMAIN WITHIN DIMENSIONS		CHK'D: DNGUYEN62 2019/03/15		PRODUCT CUSTOMER DRAWING	
▽ = 0	2 PLACES ± 0.01		THIRD ANGLE PROJECTION		APPR: HKNEELAND 2019/03/21		DOCUMENT NUMBER	
▽ = 0	1 PLACE ± 0.02		DRAWING		INITIAL REVISION:		DOC TYPE DOC PART REVISION	
▽ = 0	0 PLACES ±		SERIES		DRWN: ABABU01 2018/11/13		1301460204 PSD 000 A	
▽ = 0	DRAFT WHERE APPLICABLE MUST REMAIN WITHIN DIMENSIONS		C-SIZE		APPR: HKNEELAND 2019/03/21		MATERIAL NUMBER CUSTOMER SHEET NUMBER	
▽ = 0			130146		SEE TABLE GENERAL MARKET		1 OF 1	