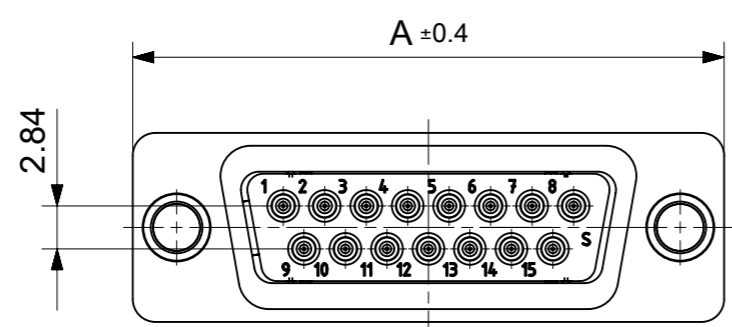
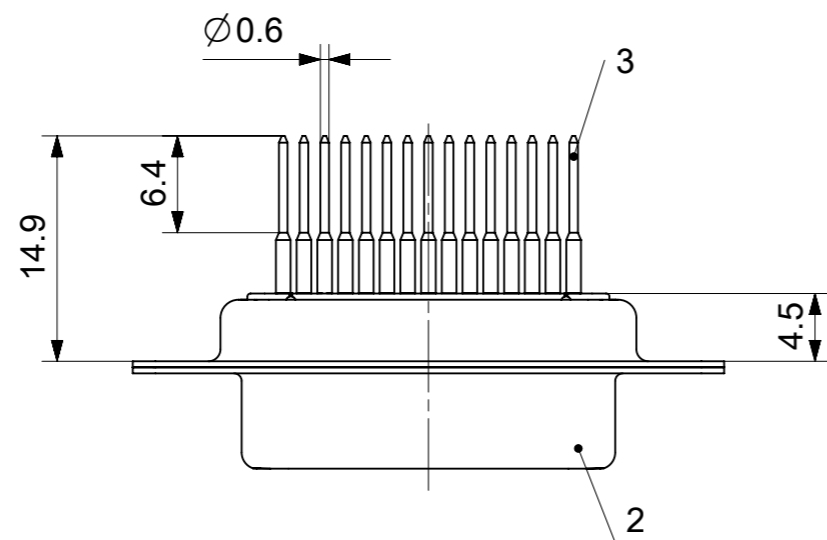
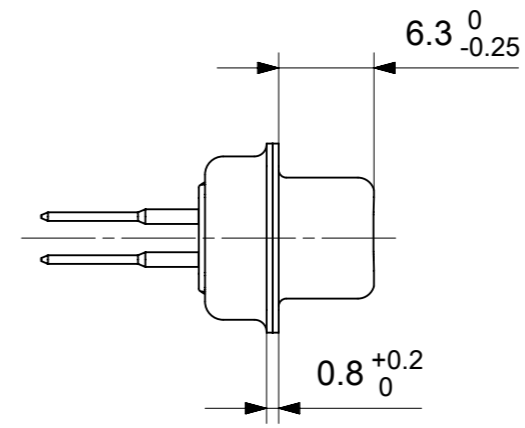
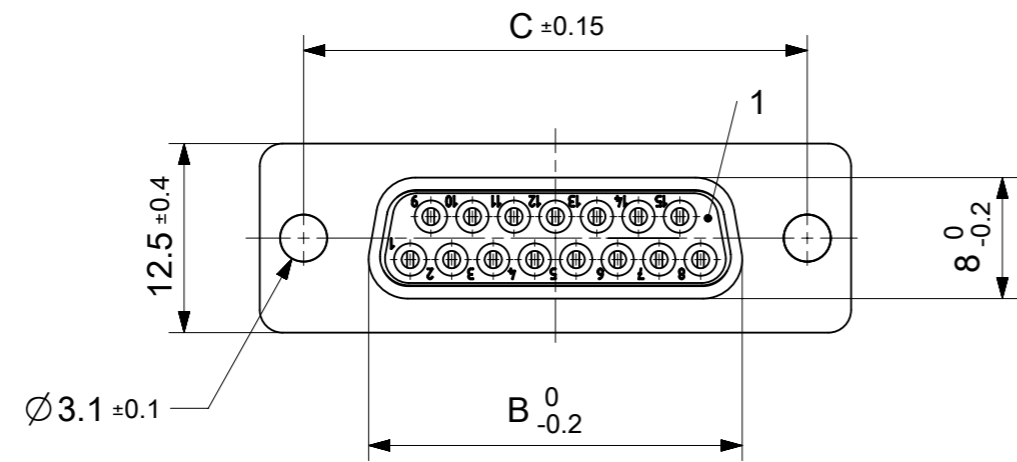


RoHS compliant  
by exemption



FCT Part number:

Fxx\*1)S26y\*2)

e.g. F15S26G2

\*1) xx No. of contacts 09, 15, 25 or 37

\*2) y for performance classes 1, 2 or 3

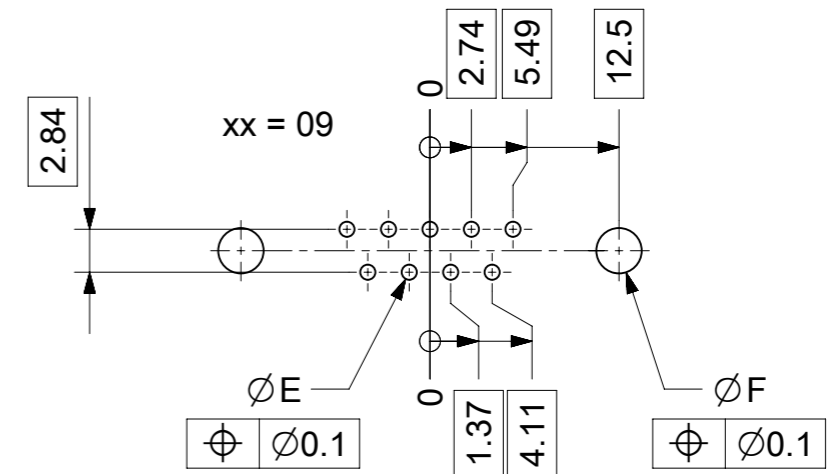
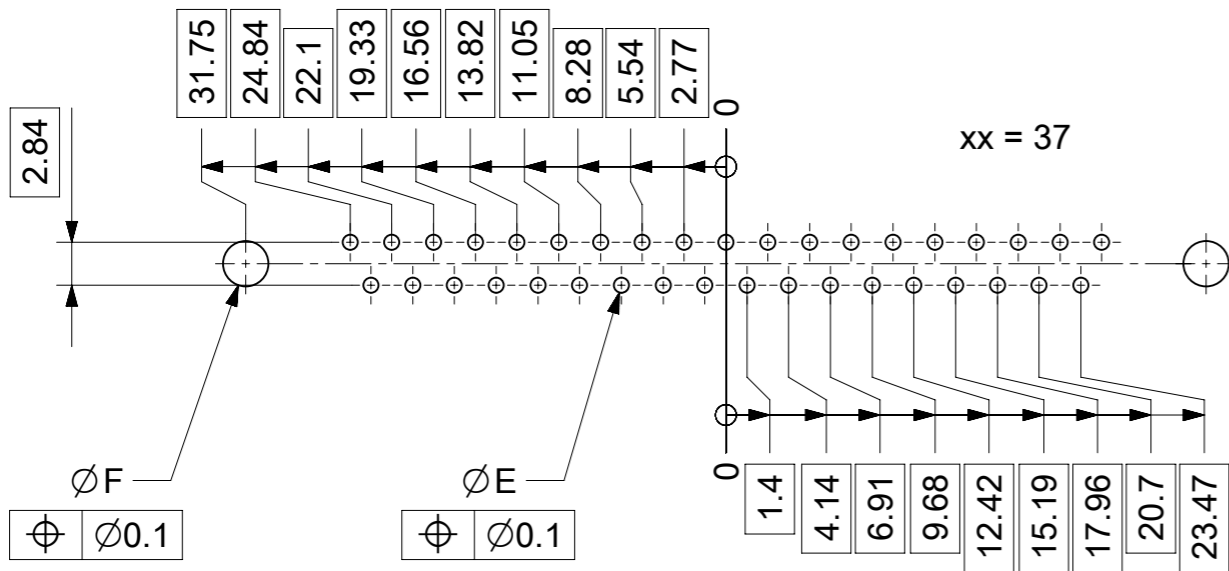
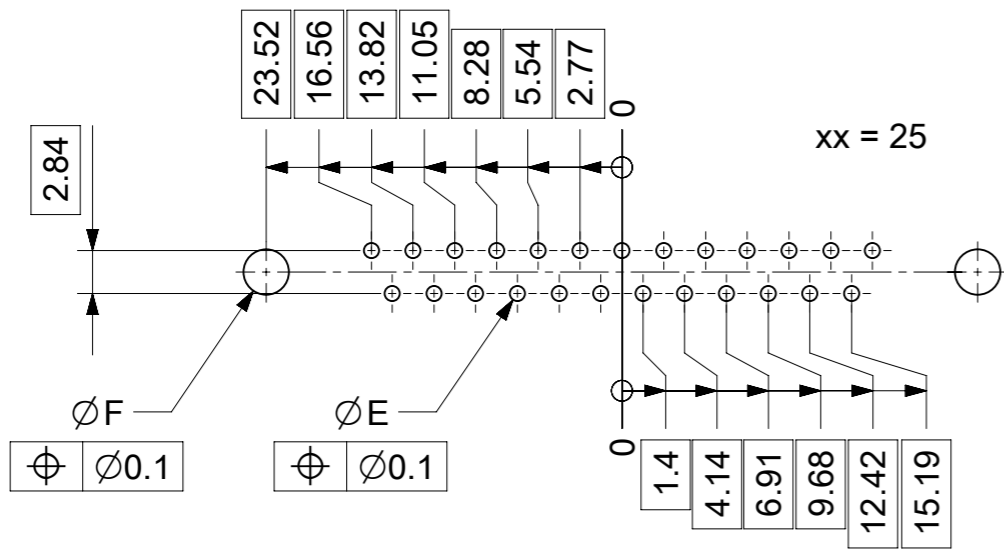
(contact cycle for G1/G2/G3 = 500/200/50)

Material Number	xx*1)	y*2)	A[mm]	B[mm]	C[mm]	*E[mm]
1731090894	09	G3	30.8	16.4	25	Ø1
1731090913	15	G2	39.1	25.2	33.3	
-	25	-	53	38.5	47.04	
-	37	-	69.3	54.9	63.5	

\*PCB hole patterns ØE see document 2195600023

3	xx	Signal contact	S26 / Brass	G2 / G3
2	1	Shell	Steel	tin plated
1	1	Insulator	PBT (-55°C to +125°C) acc. UL94V-0	white
No.	Pc.	Part	Type Description/Material	Surface plating/ Color/Class

MEASUREMENTS WITHOUT TOLERANCE ACC TO ISO 2768-m			REPLACEMENT FOR DOCUMENT NUMBER: FxxS26Gy																	
FUNCTIONAL SYMBOLS	THIS DRAWING CONTAINS INFORMATION THAT IS PROPRIETARY TO MOLEX ELECTRONIC TECHNOLOGIES, LLC AND SHOULD NOT BE USED WITHOUT WRITTEN PERMISSION		<div style="text-align: center; font-size: 2em; font-weight: bold;">molex</div> <p>FCT D-SUB MINIATURE CONNECTOR</p> <p>PRODUCT CUSTOMER DRAWING</p>																	
FUNCTIONAL SYMBOLS	<table border="1"> <tr> <th>DIMENSION UNITS</th> <th>SCALE</th> </tr> <tr> <td>mm</td> <td>2:1</td> </tr> </table>	DIMENSION UNITS				SCALE	mm	2:1	CURRENT REV DESC:											
DIMENSION UNITS	SCALE																			
mm	2:1																			
FUNCTIONAL SYMBOLS	<table border="1"> <tr> <th colspan="2">GENERAL TOLERANCES (UNLESS SPECIFIED)</th> </tr> <tr> <td>ANGULAR TOL</td> <td>± °</td> </tr> <tr> <td>4 PLACES</td> <td>±</td> </tr> </table>	GENERAL TOLERANCES (UNLESS SPECIFIED)		ANGULAR TOL	± °	4 PLACES	±	<table border="1"> <tr> <td>EC NO: 712793</td> <td>2021/12/14</td> </tr> <tr> <td>DRWN: SKANDB</td> <td>2022/07/04</td> </tr> <tr> <td>CHK'D: MTEUBEL</td> <td>2022/07/04</td> </tr> <tr> <td>APPR: MTEUBEL</td> <td>2022/07/04</td> </tr> </table>	EC NO: 712793	2021/12/14	DRWN: SKANDB	2022/07/04	CHK'D: MTEUBEL	2022/07/04	APPR: MTEUBEL	2022/07/04				
GENERAL TOLERANCES (UNLESS SPECIFIED)																				
ANGULAR TOL	± °																			
4 PLACES	±																			
EC NO: 712793	2021/12/14																			
DRWN: SKANDB	2022/07/04																			
CHK'D: MTEUBEL	2022/07/04																			
APPR: MTEUBEL	2022/07/04																			
DIVISIONAL SYMBOLS	<table border="1"> <tr> <th colspan="2">INITIAL REVISION:</th> </tr> <tr> <td>3 PLACES</td> <td>±</td> </tr> <tr> <td>2 PLACES</td> <td>±</td> </tr> <tr> <td>1 PLACE</td> <td>±</td> </tr> <tr> <td>0 PLACES</td> <td>±</td> </tr> </table>	INITIAL REVISION:		3 PLACES	±	2 PLACES	±	1 PLACE	±	0 PLACES	±	<table border="1"> <tr> <td>DOCUMENT NUMBER</td> <td>DOC TYPE</td> <td>DOC PART</td> <td>REVISION</td> </tr> <tr> <td>1731090894</td> <td>PSD</td> <td>000</td> <td>A</td> </tr> </table>	DOCUMENT NUMBER	DOC TYPE	DOC PART	REVISION	1731090894	PSD	000	A
INITIAL REVISION:																				
3 PLACES	±																			
2 PLACES	±																			
1 PLACE	±																			
0 PLACES	±																			
DOCUMENT NUMBER	DOC TYPE	DOC PART	REVISION																	
1731090894	PSD	000	A																	
DRAFT WHERE APPLICABLE MUST REMAIN WITHIN DIMENSIONS		FIRST ANGLE PROJECTION	DRAWING	SERIES	MATERIAL NUMBER	CUSTOMER	SHEET NUMBER													
			A3-SIZE	173109	SEE TABLE	GENERAL MARKET	1 OF 1													



ØE, ØF see data sheet incl. connector  
 ØF connectors with accessories only

MEASUREMENTS WITHOUT TOLERANCE ACC TO ISO 2768-m			REPLACEMENT FOR DOCUMENT NUMBER: AM0023			
THIS DRAWING CONTAINS INFORMATION THAT IS PROPRIETARY TO MOLEX ELECTRONIC TECHNOLOGIES, LLC AND SHOULD NOT BE USED WITHOUT WRITTEN PERMISSION						
FUNCTIONAL SYMBOLS	DIMENSION UNITS	SCALE	CURRENT REV DESC:			
$\nabla_A = 0$	mm	2:1	EC NO: 713905			
$\nabla_E = 0$	GENERAL TOLERANCES (UNLESS SPECIFIED)		DRWN: SKANDB 2022/05/16			
$\nabla_P = 0$	ANGULAR TOL ± °		CHK'D: MTEUBEL 2022/07/12			
DIVISIONAL SYMBOLS	4 PLACES ±		APPR: MTEUBEL 2022/07/12			
	3 PLACES ±		INITIAL REVISION:			
	2 PLACES ±		DRWN: SKANDB 2022/05/16			
	1 PLACE ±		APPR: MTEUBEL 2022/07/12			
	0 PLACES ±		DOCUMENT NUMBER			
DRAFT WHERE APPLICABLE MUST REMAIN WITHIN DIMENSIONS		FIRST ANGLE PROJECTION	DRAWING	SERIES	MATERIAL NUMBER	CUSTOMER
			A3-SIZE	219560	219560	GENERAL MARKET
			PRODUCT CUSTOMER DRAWING		REVISION	
			2195600023		A	
			PSD 000		1 OF 1	