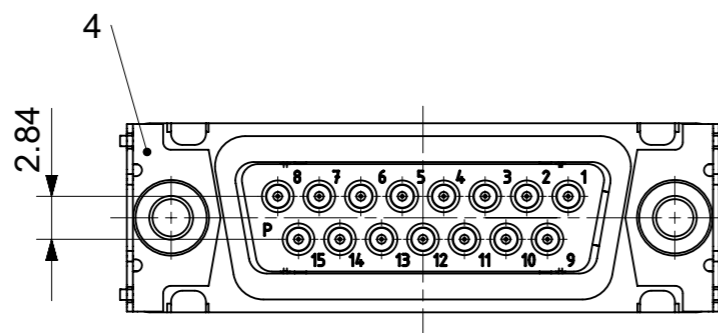
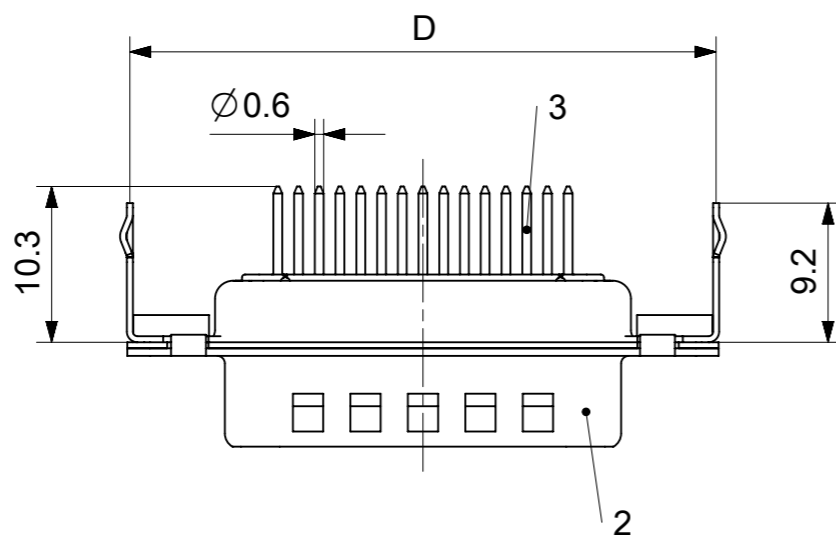


RoHS compliant  
by exemption



FCT Part number:

FHxx\*1)P1G3-1056

e.g. FH15P1G3-1056

\*1) xx No. of contacts 09, 15, 25 or 37

\*2) y for performance classes 1, 2 or 3

(contact cycle for G1/G2/G3 = 500/200/50)

Material Number	xx*1)	y*2)	A[mm]	B[mm]	C[mm]	D[mm]
1731092002	09	G3	30.8	16.9	25	30.46
-	15	-	39.1	25.2	33.3	38.76
-	25	-	53	38.9	47.04	52.5
-	37	-	69.3	55.3	63.5	68.96

\*PCB hole patterns see document 2195600062

No.	Pc.	Part	Type Description/Material	Surface plating/Color/Class
6	2	Rivet ring	Brass	tin plated
5	2	Clinch nut	MW M3 / Brass	tin plated
4	2	Latch lock	Steel	tin plated
3	xx	Signal contact	P1 / Brass	G3
2	1	Shell	Steel	tin plated
1	1	Insulator	PCT (-55°C to +150°C)	natural

MEASUREMENTS WITHOUT TOLERANCE ACC TO ISO 2768-m REPLACEMENT FOR DOCUMENT NUMBER: FHxxP1Gy-1056

FUNCTIONAL SYMBOLS	THIS DRAWING CONTAINS INFORMATION THAT IS PROPRIETARY TO MOLEX ELECTRONIC TECHNOLOGIES, LLC AND SHOULD NOT BE USED WITHOUT WRITTEN PERMISSION	CURRENT REV DESC:		<b>molex</b>				
	<table border="1"> <tr> <th>DIMENSION UNITS</th> <th>SCALE</th> </tr> <tr> <td>mm</td> <td>2:1</td> </tr> </table>	DIMENSION UNITS	SCALE		mm	2:1	EC NO: 707726	
	DIMENSION UNITS	SCALE						
	mm	2:1						
GENERAL TOLERANCES (UNLESS SPECIFIED)		DRWN: SKANDB 2021/12/01						
ANGULAR TOL ± °		CHK'D: MTEUBEL 2022/05/25						
DIVISIONAL SYMBOLS	4 PLACES ±	APPR: MTEUBEL 2022/05/25		PRODUCT CUSTOMER DRAWING				
	3 PLACES ±	INITIAL REVISION:						
	2 PLACES ±	DRWN: SKANDB 2021/12/01						
	1 PLACE ±	APPR: MTEUBEL 2022/05/25						
0 PLACES ±	DRAFT WHERE APPLICABLE MUST REMAIN WITHIN DIMENSIONS		DOCUMENT NUMBER: 1731092002					
FIRST ANGLE PROJECTION		DRAWING: A3-SIZE	SERIES: 173109	DOC TYPE: PSD	DOC PART: 000	REVISION: A		
MATERIAL NUMBER: SEE TABLE		CUSTOMER: GENERAL MARKET		SHEET NUMBER: 1 OF 1				