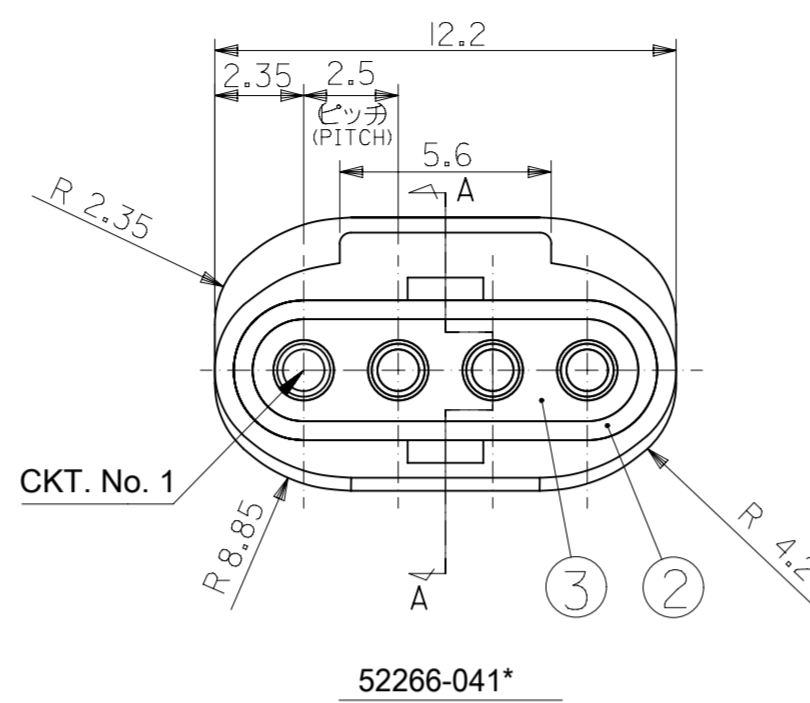
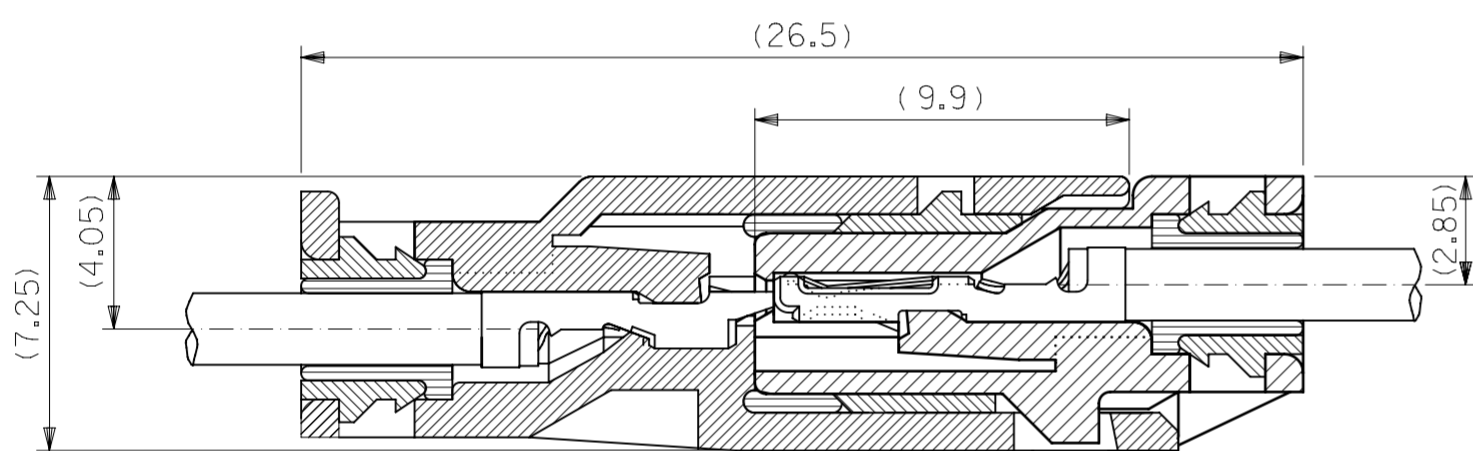
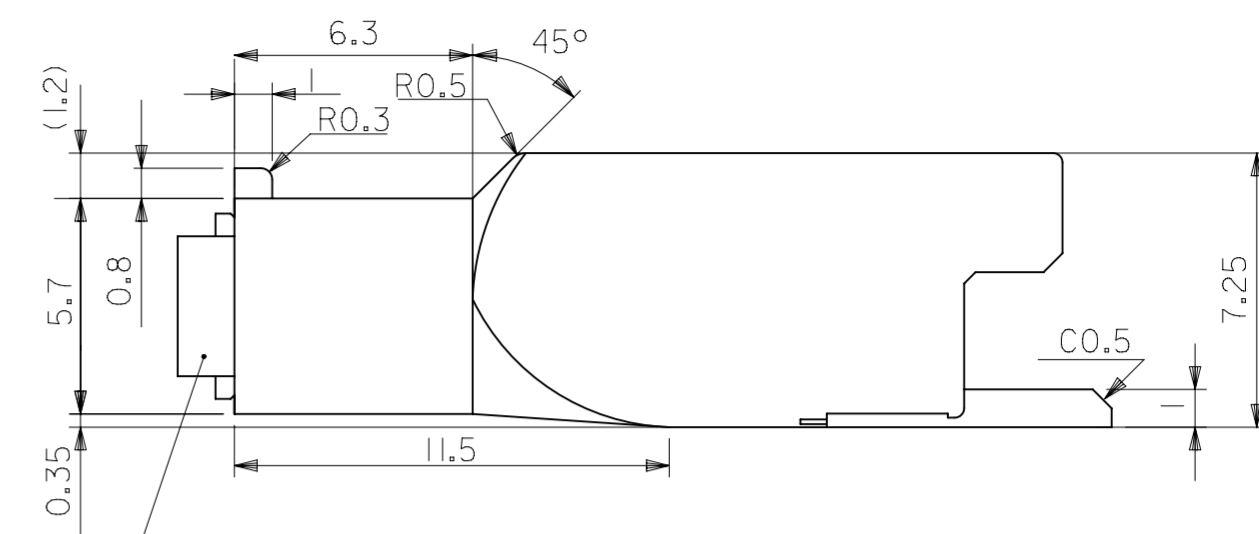


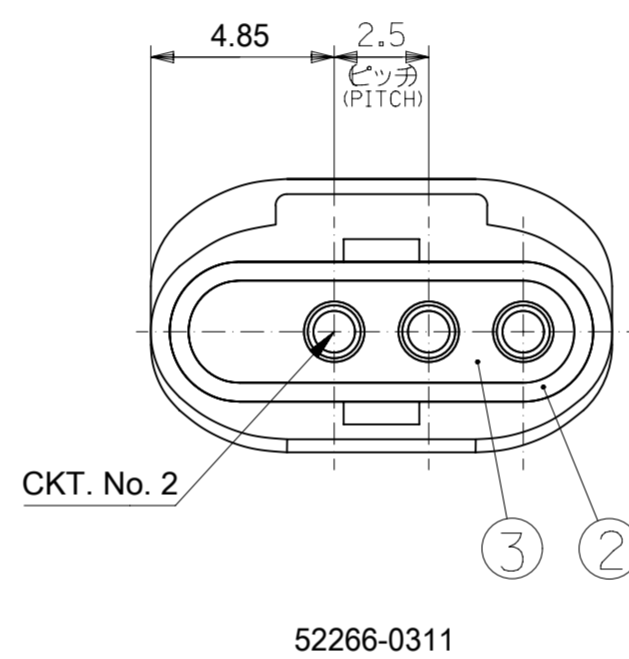
断面A-A (端子装着状態図)
SECT. A-A (TERM. ASSEMBLY DRAWING)



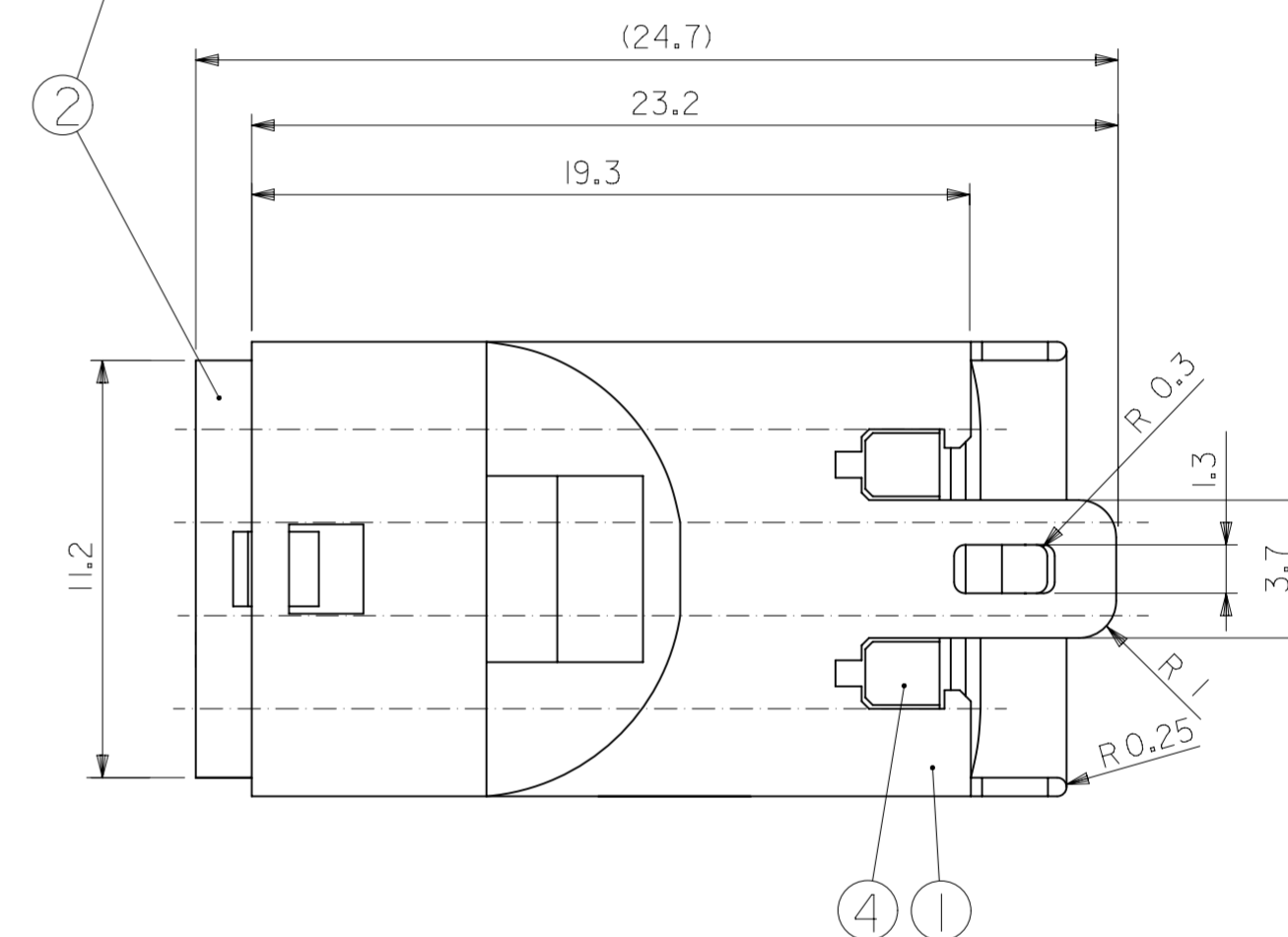
52266-041*



嵌合状態図
FULLY MATED CONDITION



52266-0311



注記
NOTE

- 適合端子 : 50147-8*00
APPLICABLE TERMINAL : 50147-8*00
- 嵌合相手 : 52213-***1*
MATES WITH : 52213-***1*
- 製品仕様書 : PS-52213-003
PRODUCT SPECIFICATION : PS-52213-003
- 取扱説明書 : AS-52213-001
APPLICATION SPECIFICATION : AS-52213-001

| | | |
|----------------------|----------------------|-------------------|
| 黒 BLACK | 52266-0311 | 3 |
| 茶 BROWN | 52266-0417 | 4 |
| 黒 BLACK | 52266-0411 | 4 |
| ハウジングの色 HSG COLOR | 製品番号 MATERIAL NO. | 極数 No. OF CKT. |

| 材料 MATERIAL | 色 COLOR | 名称 TITLE | ① |
|---|------------------|---------------|---|
| シリコンゴム SILICONE | 青 BLUE | SEAL | ⑤ |
| ポリエステル (15%G.F.) POLYESTER (15%G.F.) | 灰 GRAY | SEAL STOPPER | ④ |
| シリコンゴム SILICONE | 青 BLUE | WIRE END SEAL | ③ |
| ポリエステル (15%G.F.) POLYESTER (15%G.F.) | 灰 GRAY | CAP | ② |
| ポリエステル (15%G.F.) POLYESTER (15%G.F.) | 表参照 SEE CHART | PLUG HOUSING | ① |

構成部品
COMPONENTS

| | | | | |
|-----------------|----|--------------|------------|----------|
| DOCUMENT STATUS | P1 | RELEASE DATE | 2018/12/06 | 01:38:38 |
|-----------------|----|--------------|------------|----------|

| | | | | | |
|---|-------|--|--|--|--|
| THIS DRAWING CONTAINS INFORMATION THAT IS PROPRIETARY TO MOLEX ELECTRONIC TECHNOLOGIES, LLC AND SHOULD NOT BE USED WITHOUT WRITTEN PERMISSION | | CURRENT REV DESC: | | | |
| DIMENSION UNITS | SCALE | EC NO: 608579 | | | |
| mm | 5:1 | DRWN: MSATO08 2018/12/04 | | 2.5 MINI WATERPROOF CONN PLUG HSG ASSY (3 AND 4 CKT.) | |
| GENERAL TOLERANCES (UNLESS SPECIFIED) | | CHK'D: HKOMATSU 2018/12/05 | | | |
| 10 UNDER | ±0.2 | APPR: TOSADA 2018/12/06 | | PRODUCT CUSTOMER DRAWING | |
| 4 PLACES | ± 0.2 | INITIAL REVISION: | | | |
| 10 OVER 30 UNDER | ±0.25 | DRWN: SINAOKA 2011/11/28 | | DOCUMENT NUMBER: SD-52266-002 | |
| 30 OVER | ±0.3 | APPR: MAYAMAMOTO 2014/12/02 | | | |
| ANGULAR ±3° | | DRWN: MAYAMAMOTO 2014/12/02 | | DOC TYPE: PSD DOC PART: 001 REVISION: B4 | |
| GENERAL TOLERANCES (UNLESS SPECIFIED) | | DRAFT WHERE APPLICABLE MUST REMAIN WITHIN DIMENSIONS | | | |
| 1 PLACES | ± | THIRD ANGLE PROJECTION | | MATERIAL NUMBER: SEE CHART CUSTOMER: GENERAL MARKET SHEET NUMBER: 1 OF 1 | |
| 0 PLACES | ± | DRAWING SERIES: A2-SIZE 52266 | | | |