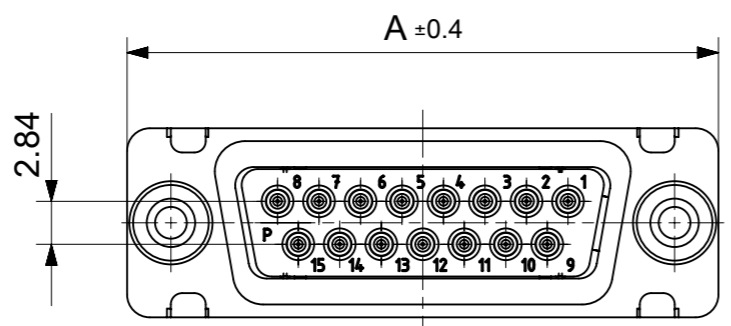
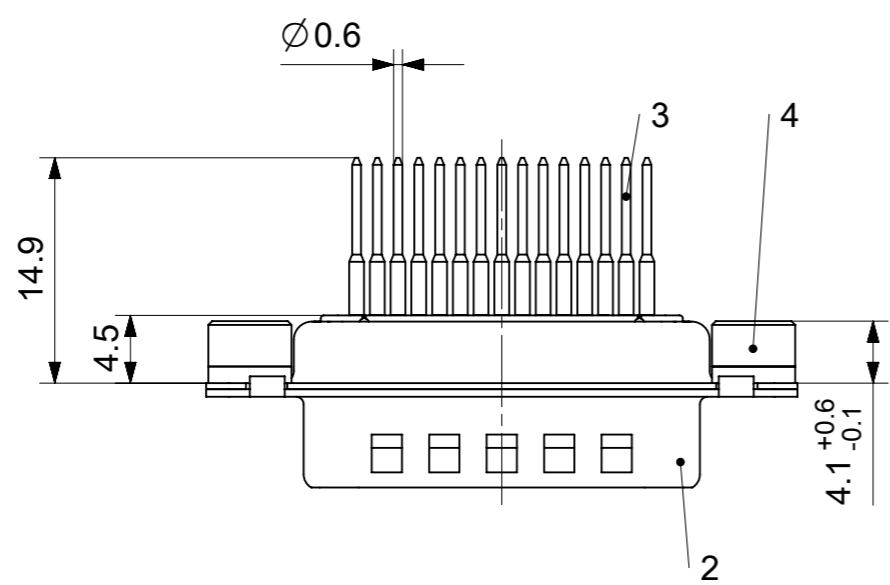
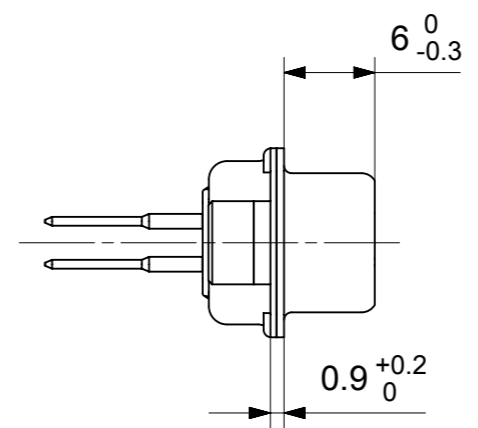
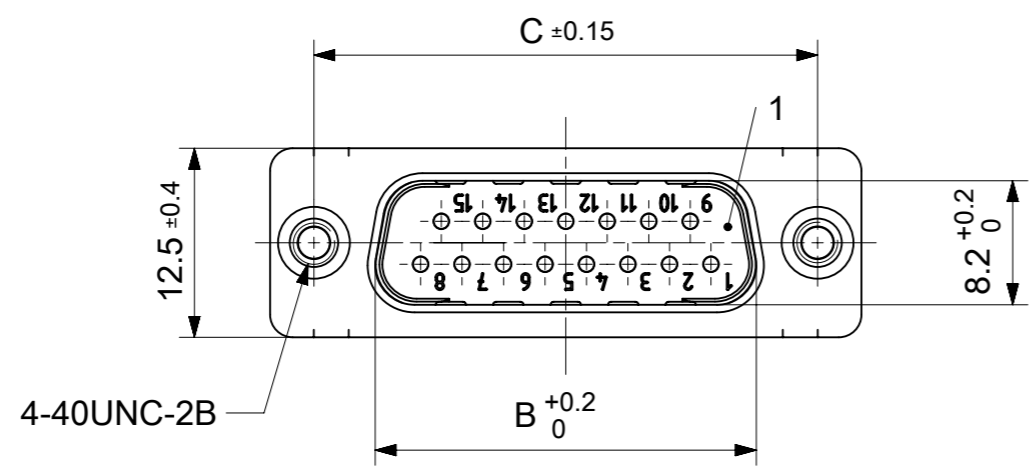


RoHS compliant
by exemption



FCT Part number:
FTSxx*1)P26G1
e.g. FTS15P26G1

*1) xx No. of contacts 09, 15, 25 or 37
*2) y for performance classes 1, 2 or 3
(contact cycle for G1/G2/G3 = 500/200/50)

Material Number	xx*1)	y*2)	A[mm]	B[mm]	C[mm]	*E[mm]
1731090612	09	G1	30.8	16.9	25	Ø1
-	15	-	39.1	25.2	33.3	
-	25	-	53	38.9	47.04	
-	37	-	69.3	55.3	63.5	

*PCB hole patterns ØE see document 2195600023

No.	St.	Part	Type Description/Material	Surface plating/Color/Class
4	2	Clinch nut, self-locking	FTS 4-40 / Steel	tin plated
3	xx	Signal contact	P26 / Brass	G1
2	1	Shell	Steel	tin plated
1	1	Insulator	PBT (-55°C to +125°C) acc. UL94V-0	white

MEASUREMENTS WITHOUT TOLERANCE ACC TO ISO 2768-m

REPLACEMENT FOR DOCUMENT NUMBER: FTSxxP26Gy

FUNCTIONAL SYMBOLS: THIS DRAWING CONTAINS INFORMATION THAT IS PROPRIETARY TO MOLEX ELECTRONIC TECHNOLOGIES, LLC AND SHOULD NOT BE USED WITHOUT WRITTEN PERMISSION

SCALE: 2:1

GENERAL TOLERANCES (UNLESS SPECIFIED):

ANGULAR TOL ± °

4 PLACES ±

3 PLACES ±

2 PLACES ±

1 PLACE ±

0 PLACES ±

DIVISIONAL SYMBOLS

DRAFT WHERE APPLICABLE MUST REMAIN WITHIN DIMENSIONS

FIRST ANGLE PROJECTION

DRAWING: A3-SIZE

SERIES: 173109

MATERIAL NUMBER: SEE TABLE

CUSTOMER: GENERAL MARKET

SHEET NUMBER: 1 OF 1

EC NO: 712793

DRWN: SKANDB 2022/02/22

CHK'D: MTEUBEL 2022/07/04

APPR: MTEUBEL 2022/07/04

INITIAL REVISION:

DRWN: SKANDB 2022/02/22

APPR: MTEUBEL 2022/07/04

DOCUMENT NUMBER: 1731090612

DOC TYPE: PSD

DOC PART: 000

REVISION: A

molex

FCT D-SUB MINIATURE CONNECTOR

PRODUCT CUSTOMER DRAWING



ØE, ØF see data sheet incl. connector
 ØF connectors with accessories only

MEASUREMENTS WITHOUT TOLERANCE ACC TO ISO 2768-m			REPLACEMENT FOR DOCUMENT NUMBER: AM0023						
THIS DRAWING CONTAINS INFORMATION THAT IS PROPRIETARY TO MOLEX ELECTRONIC TECHNOLOGIES, LLC AND SHOULD NOT BE USED WITHOUT WRITTEN PERMISSION									
FUNCTIONAL SYMBOLS	DIMENSION UNITS	SCALE	CURRENT REV DESC:						
FA = 0	mm	2:1	EC NO: 713905						
FE = 0	GENERAL TOLERANCES (UNLESS SPECIFIED)		DRWN: SKANDB 2022/05/16						
FP = 0	ANGULAR TOL ± °		CHK'D: MTEUBEL 2022/07/12						
DIVISIONAL SYMBOLS	4 PLACES ±		APPR: MTEUBEL 2022/07/12						
	3 PLACES ±		INITIAL REVISION:						
	2 PLACES ±		DRWN: SKANDB 2022/05/16						
	1 PLACE ±		APPR: MTEUBEL 2022/07/12						
	0 PLACES ±		DOCUMENT NUMBER						
DRAFT WHERE APPLICABLE MUST REMAIN WITHIN DIMENSIONS		FIRST ANGLE PROJECTION	DRAWING	SERIES	MATERIAL NUMBER	CUSTOMER	DOC TYPE	DOC PART	REVISION
			A3-SIZE	219560	219560	GENERAL MARKET	PSD	000	A
			2195600023			1 OF 1			