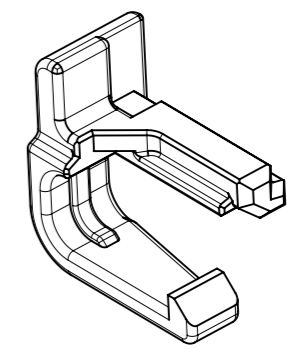
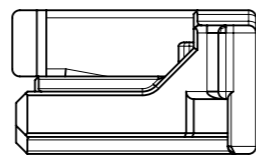
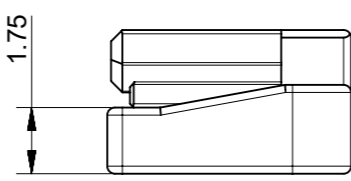
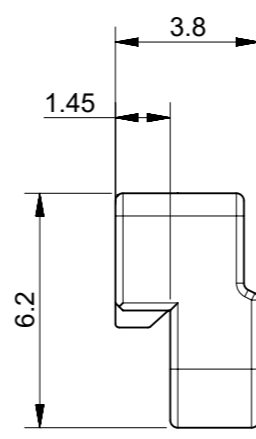
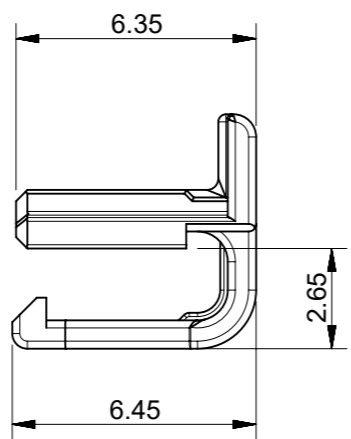
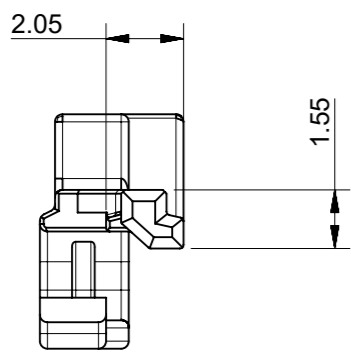


GENERAL TOLERANCE										USED ON
10 MAX	30 MAX	50 MAX	70 MAX	100 MAX	120 MAX	250 MAX	250 OVER	ANGLE	ECCENT	
±0.15	±0.20	±0.30	±0.40	±0.50	±0.75	±0.90	±1.4	±0.5°	0.1	



ISO VIEW



PENDING APPROVAL

- NOTES:
1. MATERIALS : POLYESTER (PBT)-GF17, UL94 V-0
 2. APPLICABLE HOUSING : 560123 SERIES
 3. GENERAL TOLERANCE : SEE TABLE
 4. EVL AND RoHS COMPLIANT
 5. PRODUCT SPECIFICATION : PS-560123-001,002,003
 6. PACKING SPECIFICATION : PK-560125-001

ORDER NO.	MATERIAL NO.	COLOR
560125-0200	5601250200	GRAY

THIS DRAWING CONTAINS INFORMATION THAT IS PROPRIETARY TO MOLEX ELECTRONIC TECHNOLOGIES, LLC AND SHOULD NOT BE USED WITHOUT WRITTEN PERMISSION																																						
SYMBOLS	THIS DRAWING CONTAINS INFORMATION THAT IS PROPRIETARY TO MOLEX ELECTRONIC TECHNOLOGIES, LLC AND SHOULD NOT BE USED WITHOUT WRITTEN PERMISSION	CURRENT REV DESC:		 NEW 2.0 PITCH W/B CONN REC.2WAY ISL DURACLIC ISL SERIES																																		
	<table border="1"> <tr> <th>DIMENSION UNITS</th> <th>SCALE</th> </tr> <tr> <td>mm</td> <td>5:1</td> </tr> </table>	DIMENSION UNITS	SCALE							mm	5:1	<table border="1"> <tr> <td>GENERAL TOLERANCES (UNLESS SPECIFIED)</td> <td>EC NO: 629104</td> <td>2019/12/12</td> </tr> <tr> <td>ANGULAR TOL ± °</td> <td>DRWN: SAKIM</td> <td></td> </tr> <tr> <td>4 PLACES ±</td> <td>CHK'D:</td> <td></td> </tr> <tr> <td>3 PLACES ±</td> <td>APPR:</td> <td></td> </tr> <tr> <td>2 PLACES ±</td> <td>INITIAL REVISION:</td> <td></td> </tr> <tr> <td>1 PLACE ±</td> <td>DRWN: YIBAEK</td> <td>2014/07/03</td> </tr> <tr> <td>0 PLACES ±</td> <td>APPR: SRTAK</td> <td>2014/08/26</td> </tr> </table>		GENERAL TOLERANCES (UNLESS SPECIFIED)	EC NO: 629104	2019/12/12	ANGULAR TOL ± °	DRWN: SAKIM		4 PLACES ±	CHK'D:		3 PLACES ±	APPR:		2 PLACES ±	INITIAL REVISION:		1 PLACE ±	DRWN: YIBAEK	2014/07/03	0 PLACES ±	APPR: SRTAK	2014/08/26	<table border="1"> <tr> <th>DOCUMENT NUMBER</th> <th>DOC TYPE</th> <th>DOC PART</th> <th>REVISION</th> </tr> <tr> <td>SD-560125-001</td> <td>PSD</td> <td>001</td> <td>A1</td> </tr> </table>			DOCUMENT NUMBER
DIMENSION UNITS	SCALE																																					
mm	5:1																																					
GENERAL TOLERANCES (UNLESS SPECIFIED)	EC NO: 629104	2019/12/12																																				
ANGULAR TOL ± °	DRWN: SAKIM																																					
4 PLACES ±	CHK'D:																																					
3 PLACES ±	APPR:																																					
2 PLACES ±	INITIAL REVISION:																																					
1 PLACE ±	DRWN: YIBAEK	2014/07/03																																				
0 PLACES ±	APPR: SRTAK	2014/08/26																																				
DOCUMENT NUMBER	DOC TYPE	DOC PART	REVISION																																			
SD-560125-001	PSD	001	A1																																			
<table border="1"> <tr> <th>DRAFT WHERE APPLICABLE MUST REMAIN WITHIN DIMENSIONS</th> <th>THIRD ANGLE PROJECTION</th> <th>DRAWING</th> <th>SERIES</th> <th>MATERIAL NUMBER</th> <th>CUSTOMER</th> <th>SHEET NUMBER</th> </tr> <tr> <td></td> <td></td> <td>A3-SIZE</td> <td>560125</td> <td></td> <td>GENERAL MARKET</td> <td>1 OF 1</td> </tr> </table>		DRAFT WHERE APPLICABLE MUST REMAIN WITHIN DIMENSIONS	THIRD ANGLE PROJECTION	DRAWING	SERIES	MATERIAL NUMBER	CUSTOMER	SHEET NUMBER			A3-SIZE	560125		GENERAL MARKET	1 OF 1																							
DRAFT WHERE APPLICABLE MUST REMAIN WITHIN DIMENSIONS	THIRD ANGLE PROJECTION	DRAWING	SERIES	MATERIAL NUMBER	CUSTOMER	SHEET NUMBER																																
		A3-SIZE	560125		GENERAL MARKET	1 OF 1																																

DOCUMENT STATUS	RQ	RELEASE DATE