

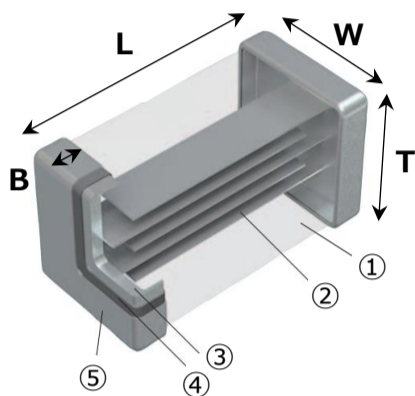
JIS2012 [EIA 0805]

[NTCG204AH473JTDS](#)

- ▶ UL certificate/E250289
- ▶ Max. Temp. 125°C
- ▶ Automotive Grade
- ▶ Compliant with AEC-Q200



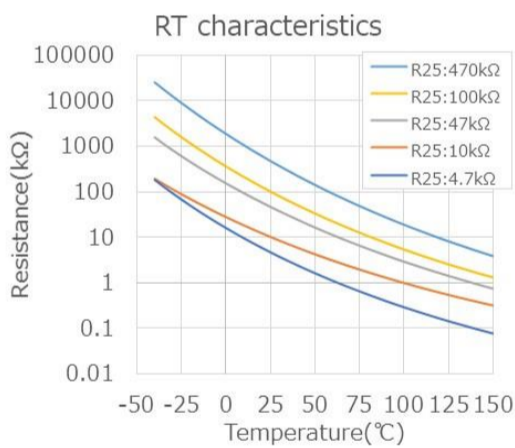
Dimension and Construction



Symbol	Dimension
L	2.0±0.2mm
W	1.25±0.2mm
T	0.7±0.2mm
B	0.2mm min.

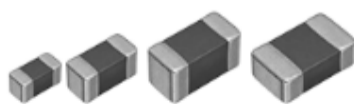
No.	Name
①	Semiconductor ceramics
②	Internal electrode
③	Base electrode
④	Ni plating
⑤	Sn plating

Electrical Characteristics



Item	Specification
Resistance	[at 25°C] 47kΩ±5%
B value	[at 25/50°C] 3930K typ.
	[at 25/85°C] 4000K±3%
Max. Rated power	[at 25°C] 200mW
Thermal Dissipation Constant	[at 25°C] 2mW/°C
Permissible Operating Current	[at 25°C] 0.2mA
Max. Voltage	5V
Operating Temperature	-40°C~125°C
1degC Step Data	[-40°C~125°C] Link

Package



Item	Specification
Packing	Taping (Paper carrier)
Reel Dimension	φ180mm
Packing Quantity	2,000pcs/reel
Weight	0.0072g