

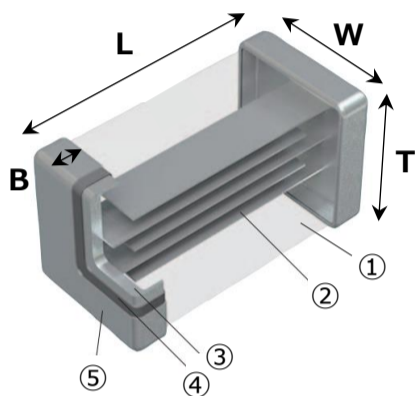
JIS1608 [EIA 0603]

[NTCG164LH104JT1S](#)

- ▶ Max. Temp. 150°C
- ▶ Automotive Grade
- ▶ Compliant with AEC-Q200



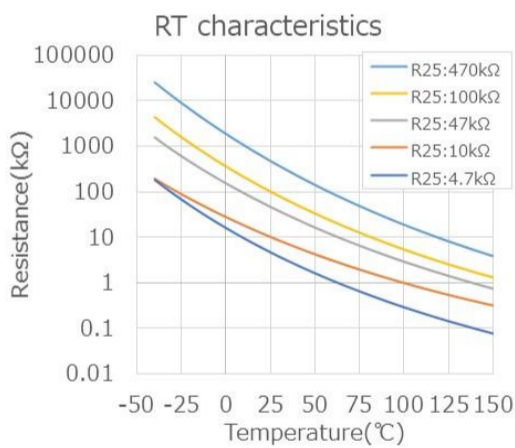
Dimension and Construction



| Symbol | Dimension |
|--------|------------|
| L | 1.6±0.1mm |
| W | 0.8±0.1mm |
| T | 0.8±0.1mm |
| B | 0.2mm min. |

| No. | Name |
|-----|------------------------|
| ① | Semiconductor ceramics |
| ② | Internal electrode |
| ③ | Base electrode |
| ④ | Ni plating |
| ⑤ | Sn plating |

Electrical Characteristics



| Item | Specification |
|-------------------------------|--|
| Resistance | [at 25°C] 100kΩ±5% |
| B value | [at 25/50°C] 4485K typ. [at 25/85°C] 4550K±3% |
| Max. Rated power | [at 25°C] 125mW |
| Thermal Dissipation Constant | [at 25°C] 1mW/°C |
| Permissible Operating Current | [at 25°C] 0.1mA |
| Max. Voltage | 5V |
| Operating Temperature | -40°C~150°C |
| 1degC Step Data | [-40°C~150°C] Link |

Package



| Item | Specification |
|------------------|--------------------------|
| Packing | Taping (Paper carrier) |
| Reel Dimension | φ180mm |
| Packing Quantity | 4,000pcs/reel |
| Weight | 0.0050g |