

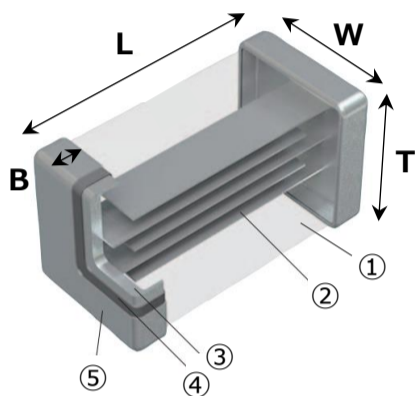
JIS1005 [EIA 0402]

[NTCG104EF104HT1SX](#)

- ▶ Max. Temp. 150°C
- ▶ Automotive Grade
- ▶ Compliant with AEC-Q200



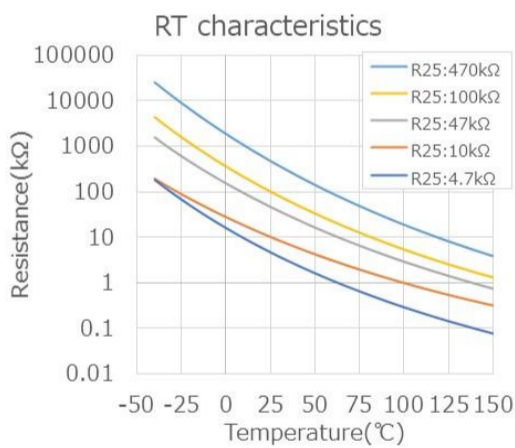
Dimension and Construction



| Symbol | Dimension |
|--------|------------|
| L | 1.0±0.05mm |
| W | 0.5±0.05mm |
| T | 0.5±0.05mm |
| B | 0.1mm min. |

| No. | Name |
|-----|------------------------|
| ① | Semiconductor ceramics |
| ② | Internal electrode |
| ③ | Base electrode |
| ④ | Ni plating |
| ⑤ | Sn plating |

Electrical Characteristics



| Item | Specification |
|-------------------------------|------------------------------------|
| Resistance | [at 25°C] 100kΩ±3% |
| B value | [at 25/50°C] 4250K±1% |
| | [at 25/85°C] 4308K typ. |
| Max. Rated power | [at 25°C] 125mW |
| Thermal Dissipation Constant | [at 25°C] 1mW/°C |
| Permissible Operating Current | [at 25°C] 0.1mA |
| Max. Voltage | 5V |
| Operating Temperature | -40°C~150°C |
| 1degC Step Data | [-40°C~150°C] Link |

Package



| Item | Specification |
|------------------|--------------------------|
| Packing | Taping (Paper carrier) |
| Reel Dimension | φ180mm |
| Packing Quantity | 10,000pcs/reel |
| Weight | 0.0013g |