

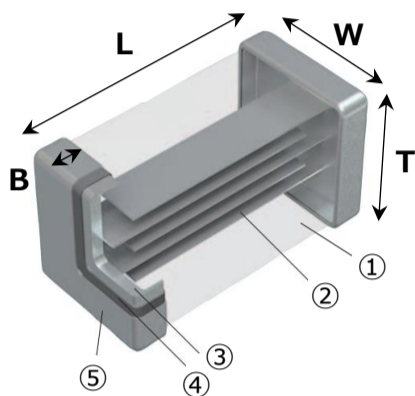
JIS1005 [EIA 0402]

[NTCG104BF683FTDSX](#)

- ▶ UL certificate/E250289
- ▶ Max. Temp. 125°C
- ▶ Automotive Grade
- ▶ Compliant with AEC-Q200



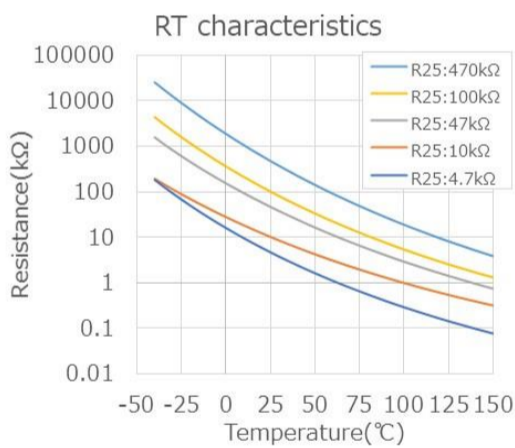
## Dimension and Construction



| Symbol | Dimension  |
|--------|------------|
| L      | 1.0±0.05mm |
| W      | 0.5±0.05mm |
| T      | 0.5±0.05mm |
| B      | 0.1mm min. |

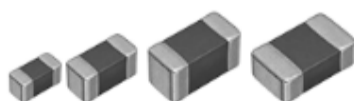
| No. | Name                   |
|-----|------------------------|
| ①   | Semiconductor ceramics |
| ②   | Internal electrode     |
| ③   | Base electrode         |
| ④   | Ni plating             |
| ⑤   | Sn plating             |

## Electrical Characteristics



| Item                          | Specification                      |
|-------------------------------|------------------------------------|
| Resistance                    | [at 25°C] 68kΩ±1%                  |
| B value                       | [at 25/50°C] 4085K±1%              |
|                               | [at 25/85°C] 4150K typ.            |
| Max. Rated power              | [at 25°C] 100mW                    |
| Thermal Dissipation Constant  | [at 25°C] 1mW/°C                   |
| Permissible Operating Current | [at 25°C] 0.12mA                   |
| Max. Voltage                  | 5V                                 |
| Operating Temperature         | -40°C~125°C                        |
| 1degC Step Data               | [-40°C~125°C] <a href="#">Link</a> |

## Package



| Item             | Specification            |
|------------------|--------------------------|
| Packing          | Taping ( Paper carrier ) |
| Reel Dimension   | φ180mm                   |
| Packing Quantity | 10,000pcs/reel           |
| Weight           | 0.0013g                  |