

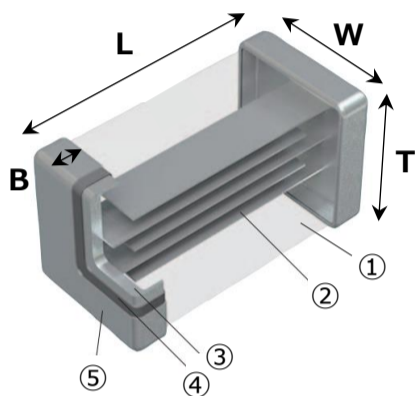
JIS1005 [EIA 0402]

[NTCG103JX103DT1S](#)

- ▶ Max. Temp. 150°C
- ▶ Automotive Grade
- ▶ Compliant with AEC-Q200



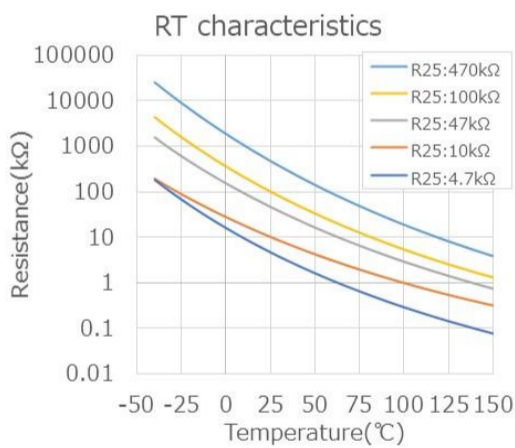
## Dimension and Construction



Symbol	Dimension
L	1.0±0.05mm
W	0.5±0.05mm
T	0.5±0.05mm
B	0.1mm min.

No.	Name
①	Semiconductor ceramics
②	Internal electrode
③	Base electrode
④	Ni plating
⑤	Sn plating

## Electrical Characteristics



Item	Specification
Resistance	[at 25°C] 10kΩ±0.5%
B value	[at 25/50°C] 3380K typ. [at 25/85°C] 3435K±0.7%
Max. Rated power	[at 25°C] 125mW
Thermal Dissipation Constant	[at 25°C] 1mW/°C
Permissible Operating Current	[at 25°C] 0.31mA
Max. Voltage	5V
Operating Temperature	-40°C~150°C
1degC Step Data	[-40°C~150°C] <a href="#">Link</a>

## Package



Item	Specification
Packing	Taping ( Paper carrier )
Reel Dimension	φ180mm
Packing Quantity	10,000pcs/reel
Weight	0.0013g