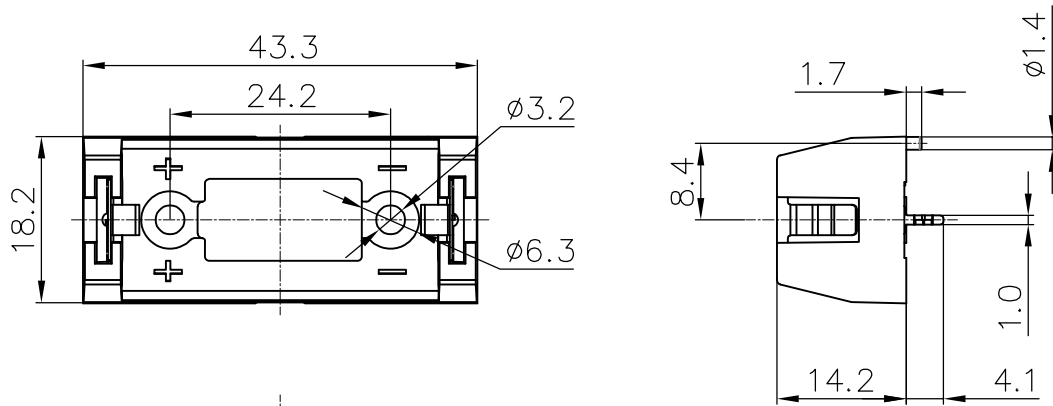




REV.	ECN NO.	REVISED	DATE

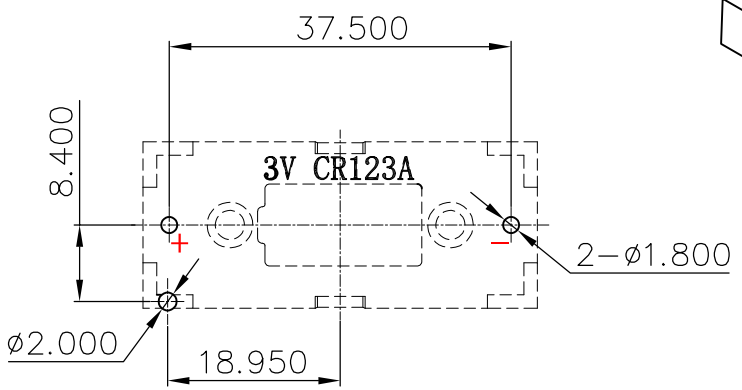
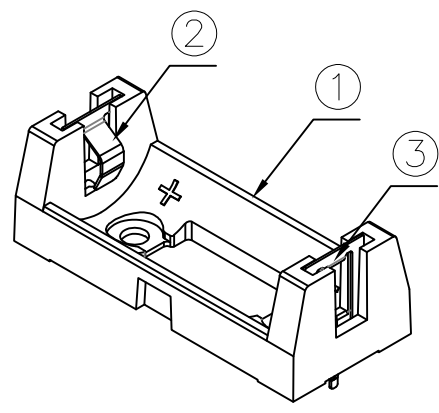
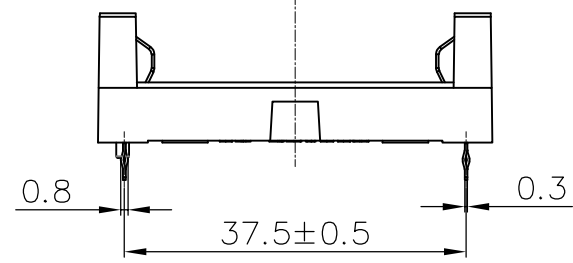


NOTE:  
 1.MATERIAL:  
 a.HOUSING:PA66 BLACK UL94 V-0  
 b.CONTACTS:STAINLESS STEE(SUS304) 0.3T (SURFACE PLATING: Ni 100-120u")  
 SEE ORDERING INFORMATION  
 2.ELECTRIC:  
 a.CONTACT RESISTANCE: 100 MILLIOHMS MAX  
 b.INSULATION RESISTANCE: 100 MEGA OHMS MIN  
 c.DIELECTNIC VOLTAGE: 500V AC ONE MINUTE  
 d.OPERATING TEMPERATURE: -25° C~ +85° C

ORDERING INFORMATION  
**BH-123A-A1CJ002**

电池盒 — PLATING:  
 A-Au1U"  
 J-Ni100U"~120U"  
 K-Sn100U"~120U"  
 电池型号 — MATERIAL:  
 1C-PA66 BLACK UL94V-0  
 DIP 90° TYPE

工程部  
 2024-03-07  
 LQ. HUANG



PCB Layout Diagram  
 Bottom View

UNLESS OTHERWISE SPECIFIED TOLERANCES		<b>MYOUNG 美用</b> www.meiyangdz.com			
DECIMALS: X :±0.50 X.X :±0.30 X.XX :±0.20 X.XXX :±0.10	ANGLES: X :±1° X.X :±0.5°	DSND	Huanglieqing	DATE	2024-03-07
WEIGHT:		CHKD	ZhouRuicai	DATE	2024-03-07
SHEET 1 OF 1		APVD	XueShunyong	DATE	2024-03-07
NO. PART NAME Q'TY MATERIAL PLATING & COLOR		SCALE:	SIZE: A4	VIEW:	⊙ ⊞
		UNIT: mm	REV.: A/0	OBJECT: MY	DRAW NO.:MY-CP-0398

③	TERMINAL-	1	STAINLESS STEE(SUS304)T=0.3mm	Ni-Plating
②	TERMINAL+	1	STAINLESS STEE(SUS304)T=0.3mm	Ni-Plating
①	HOUSING	1	PA66 UL94 V-0	BLACK

TITLE:	电池盒BH-CR123A-1J Ni DIP PA66
PART NO.:	BH-123A-A1CJ002